



# Renault MEGANE

Vehicle user manual









**RENAULT**  
Passion for life

# Castrol, exclusive Renault partner



Benefit from cutting-edge technology born out of competition to ensure the performance and longevity of your Renault thanks to wide range of engine lubricants developed specially by Renault and Castrol.

Renault recommends 

   [renault.com](https://www.renault.com)

# Welcome to your new vehicle



---

**This driver's handbook** contains the information necessary:

- for you to familiarise yourself with your vehicle, to use it to its best advantage and to benefit fully from all the functions and the technical developments it incorporates.
- to ensure that it always gives the best performance by following the simple, but comprehensive advice concerning regular maintenance.
- to enable you to deal quickly with minor faults not requiring specialist attention.

It is well worth taking a few minutes to read this handbook to familiarise yourself with the information and guidelines it contains about the vehicle and its functions and new features. If certain points are still unclear, our Network technicians will be only too pleased to provide you with any additional information.

To help you, you will find the following symbols:

 and  These appear in the vehicle and indicate that you should consult the manual for detailed information and/or limits on operations with respect to your vehicle's equipment.

 anywhere in the manual indicates a hazard, danger or a safety recommendation.

The descriptions of the models given in this handbook are based on the technical specifications at the time of writing. **This handbook covers all items of equipment** (both standard and optional) **available for these models but whether or not these are fitted to the vehicle depends on the version, options selected and the country where the vehicle is sold.** **This handbook may also contain information about items of equipment to be introduced later in the model year.** **The diagrams in the user manual are provided as examples.**

Enjoy driving your new vehicle.

Translated from French. Copying or translation, in part or in full, is forbidden unless prior written permission has been obtained from the car manufacturer.





# C O N T E N T S

## Sections

**Getting to know your vehicle** .....

**1**

**Driving** .....

**2**

**Your comfort** .....

**3**

**Maintenance** .....

**4**

**Practical advice** .....

**5**

**Technical specifications** .....

**6**

**Alphabetical index** .....

**7**

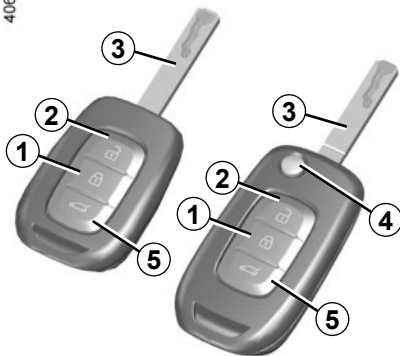


# Section 1: Getting to know your vehicle

Key, radio frequency remote control: general information, use, deadlocking . . . . .	1.2
The RENAULT card: general information and use . . . . .	1.6
Locking, unlocking the doors . . . . .	1.14
Opening and closing the doors . . . . .	1.17
Automatic locking when driving . . . . .	1.20
Headrests - Seats . . . . .	1.21
Steering wheel . . . . .	1.25
Seat belts . . . . .	1.26
Additional methods of restraint: . . . . .	1.30
in addition to the front seat belts . . . . .	1.30
to the rear seat belts . . . . .	1.36
side protection . . . . .	1.37
Child safety: General information . . . . .	1.39
choosing a child seat mounting . . . . .	1.42
Fitting a child seat, general information . . . . .	1.46
Child seats: attachment by seat belt or by Isofix system . . . . .	1.48
deactivating, activating the front passenger airbag . . . . .	1.54
Audible and visual signals . . . . .	1.57
Driving position . . . . .	1.58
Instrument panel . . . . .	1.62
trip computer . . . . .	1.74
vehicle settings customisation menu . . . . .	1.84
Power-assisted steering . . . . .	1.86
Clock and outdoor temperature . . . . .	1.87
Rear view mirrors . . . . .	1.88
Headlight beam adjustment . . . . .	1.90
Exterior lighting and signals . . . . .	1.92
Washers, wipers . . . . .	1.98
Fuel tank (filling with fuel) . . . . .	1.106
Reagent tank . . . . .	1.109

## KEY, RADIO FREQUENCY REMOTE CONTROL: general information (1/2)

40681



- 1 Locks all the opening elements.
- 2 Unlocks all the opening elements.
- 3 Ignition and front door key.
- 5 Locking/unlocking of the boot only.

### Remote control with switchblade key:

- 4 Locking/unlocking using the switchblade key. To release the insert from its housing, press button 4, it comes out automatically. Press button 4 and guide the insert back into its housing.

#### Advice

Avoid leaving the remote control in hot, cold or humid areas.

The key must not be used for any function other than those described in the handbook (removing the cap from a bottle, etc.).



### Driver's responsibility when parking or stopping the vehicle

Never leave an animal, child or adult who is not self-sufficient alone on your vehicle, even for a short time.

They may pose a risk to themselves or to others by starting the engine, activating equipment such as the electric windows or locking the doors.

Also, in hot and/or sunny weather, please remember that the temperature inside the passenger compartment increases very quickly.

**RISK OF DEATH OR SERIOUS INJURY.**

## KEY, RADIO FREQUENCY REMOTE CONTROL: general information (2/2)

### Radio frequency remote control operating range

This varies according to the surroundings: take care not to lock or unlock the doors by inadvertently pressing the buttons on the remote control.

**Note:** If a door or the boot is open or not closed properly, the doors and boot lock/unlock in quick succession.

### Interference

Interference by factors in the immediate vicinity (external installations or the use of equipment operating on the same frequency as the remote control) may affect the operation of the remote control.

### Replacement and additional keys or remote controls.

You must only contact an approved dealer:

- If you need to replace a key it will be necessary to take the vehicle and all of its keys to an approved Dealer in order to initialise the system.
- Depending on the vehicle, you have the option of using up to four remote controls.

### Remote control unit failure

Make sure that the correct battery type is being used, and that the battery is in good condition and inserted correctly. These batteries have a service life of approximately two years.

Refer to Section 5: “Radio frequency remote control: batteries” for the battery changing procedure.

## RADIO FREQUENCY REMOTE CONTROL UNIT: use

The remote control **A** can be used to lock or unlock the doors and boot.

It is powered by a battery which must be replaced (refer to the information on “Radio frequency remote control: batteries” in Section 5).

### Locking the doors

Press locking button **1**.

The side indicator lights and hazard warning lights flash **twice** to indicate that the doors have been **locked**.

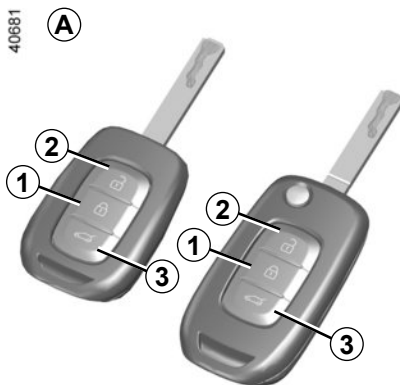
If a door or the boot is open or not properly shut, they will lock and unlock in quick succession and the hazard warning lights and indicator lights will not flash.

### Unlocking the doors

Pressing button **2** unlocks the doors and tailgate.

The side indicator lights and hazard warning lights flash **once** to indicate that the doors have been **unlocked**.

40681



### Locking/unlocking only the boot

Press the button **3**.

### Note:

With the engine running, the ignition switched on and in accessories position (refer to “Ignition switch: vehicles with a key” in Section 2), the remote control buttons will be inactive.



#### Driver's responsibility when parking or stopping the vehicle

Never leave an animal, child or adult who is not self-sufficient alone on your vehicle, even for a short time.

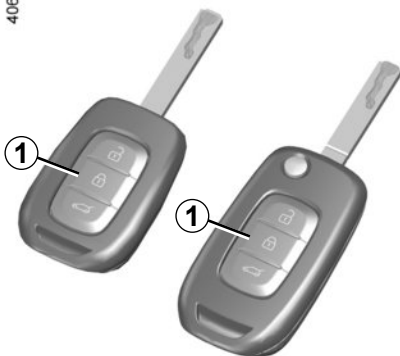
They may pose a risk to themselves or to others by starting the engine, activating equipment such as the electric windows or locking the doors. Also, in hot and/or sunny weather, please remember that the temperature inside the passenger compartment increases very quickly.

**RISK OF DEATH OR SERIOUS INJURY.**



## RADIO FREQUENCY REMOTE CONTROL UNIT: deadlocking

40681



If the vehicle is equipped with a deadlocking function, this allows you to lock the opening elements and to prevent the doors from being unlocked using the interior handles (for example, by breaking the window and then trying to open the door from the inside).

To do this, press button **1** twice in quick succession.

The hazard warning lights and side indicator lights give **two** slow flashes and **three** quick flashes to indicate locking.

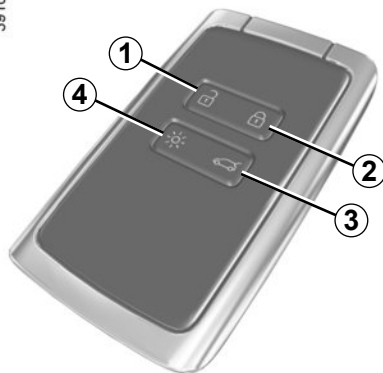
**Special note:** deadlocking is not possible if the hazard warning lights or the side lights are lit.



Never use deadlocking if someone is still inside the vehicle.

## RENAULT CARD: general information (1/2)

39100



- 1 Unlocking the doors and tailgate.
- 2 Locking all doors and tailgate.
- 3 Unlocking/locking the boot.
- 4 Switching on the lighting remotely.

### The RENAULT card is used for:

- locking/unlocking the doors and tailgate (doors, tailgate) and the fuel filler flap (see the following pages);
- switching on the vehicle lighting remotely (refer to the following pages);
- Automatic closing of electric windows and, depending on the vehicle, of the sunroof; please see the information on “Electric windows” and “Electric sunroof” in Chapter 3;
- starting the engine; please see the information on “Starting, stopping the engine” in Chapter 2.

### Battery life

Make sure that the correct battery type is being used, and that the battery is in good condition and inserted correctly. Its service life is approximately two years: replace it when the message “Keycard battery low” appears on the instrument panel (refer to Section 5 “RENAULT card: battery”).

### RENAULT card operating range

This varies according to the surroundings. It is important to make sure when handling the RENAULT card that you do not lock or unlock the doors by inadvertently pressing the buttons.

When the battery is flat, you can still lock/unlock and start your vehicle. Please see the information on “Locking and unlocking the doors” in Chapter 1 and “Starting, stopping the engine” in Chapter 2.

## RENAULT CARD: general information (2/2)

39100



### Distance lighting function

Pressing button **4** switches on the dipped beam headlights and the interior lighting for approximately 20 seconds. This can be used, for example, to identify the vehicle from a distance when parked in a car park.

**Note:** Pressing button **4** again switches off the lighting.

### Advice

Avoid leaving the card in hot, cold or humid areas.

Do not keep the RENAULT card in a place where it could be bent or damaged accidentally, such as in a back pocket of a garment.

### Replacement: need for an additional RENAULT Card

If you lose your RENAULT card or require another, you can obtain one from an approved dealer.

If a RENAULT card is replaced, it will be necessary to take the vehicle and **all of its RENAULT cards** to an approved dealer to initialise the system.

You may use up to four RENAULT cards per vehicle.



### Driver's responsibility when parking or stopping the vehicle

Never leave an animal, child or adult who is not self-sufficient alone in your vehicle, even for a short time.

They may pose a risk to themselves or to others by starting the engine, activating equipment such as the electric windows or locking the doors, for example.

Also, in hot and/or sunny weather, please remember that the temperature inside the passenger compartment increases very quickly.

**RISK OF DEATH OR SERIOUS INJURY.**



## Driver's responsibility when parking or stopping the vehicle

Never leave an animal, child or adult who is not self-sufficient alone on your vehicle, even for a short time.

They may pose a risk to themselves or to others by starting the engine, activating equipment such as the electric windows or locking the doors.

Also, in hot and/or sunny weather, please remember that the temperature inside the passenger compartment increases very quickly.

**RISK OF DEATH OR SERIOUS INJURY.**

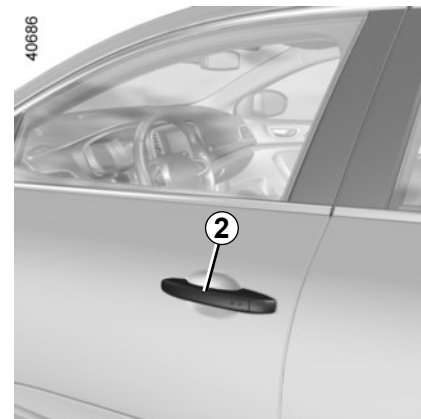


40684

There are two ways to unlock/lock the vehicle:

- the RENAULT card in “Hands-free” mode;
- the RENAULT card in remote control mode.

Do not store the RENAULT card anywhere it may come into contact with other electronic equipment (computer, phone, etc.) as this could hinder its operation.



40686

## Using the card in “hands-free” mode

In “hands-free” mode, it is possible to lock/unlock the vehicle without using any of the RENAULT card's buttons, as long as the card is within the access zone **1**.

**Note:** “hands-free” access can be deactivated from the multimedia screen (please see the equipment instructions).

## RENAULT CARD: use (2/5)



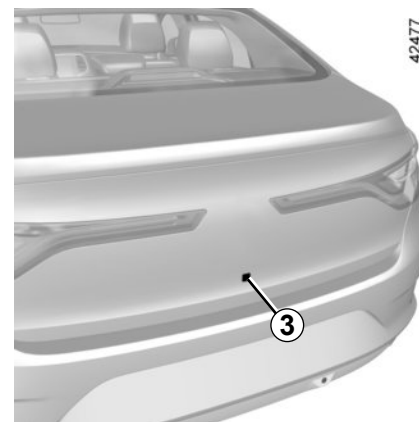
### “Hands-free” unlocking

With the RENAULT card in zone **1**, move your hand behind a handle **2**: the vehicle will unlock. Unlocking is indicated by **one flash** of the hazard warning lights and the indicator lights.

Pressing the button **3** unlocks the entire vehicle and releases the boot.



**Nota:** the “hands-free” system may experience temporary difficulties if one of the sensors built into the inside of the door handle is obscured (by dirt, mud, snow, gritting salt etc.). Clean the sensors. If there is still a problem, contact an approved dealer.



### Remote “Hands-free” locking

With the RENAULT card on you, and doors and boot closed, move away from the vehicle: it will lock automatically as soon as you leave the access zone.

**Note:** The distance at which the vehicle locks depends on the surroundings.

To indicate that the vehicle has been locked, the hazard warning lights and indicator lights flash once and then light up for approximately four seconds, and a beep sounds in confirmation.

## RENAULT CARD: use (3/5)



### “Hands-free” locking using the sensor 4

If you wish to lock your vehicle while the card is within range, make sure that the doors and boot are closed and place your finger over the sensor 4 on the driver's door handle. The vehicle will lock.

**Note:** The sensor cannot be used to lock the vehicle unless the RENAULT card is within the access zone 1.



### Special features of the locking system

Having locked the vehicle by pressing the sensor 4, there is a delay of approximately 3 seconds before it can be unlocked again. During these 3 seconds, the door handles can be tried to make sure that the vehicle is locked properly.

If a door is open or not properly closed:

- when locking using the sensor 4, the vehicle will lock/unlock in quick succession, but the hazard warning lights will not flash;
- the vehicle will not lock as you move away.



If the RENAULT card has been within range for approximately 15 minutes, remote locking is disabled.

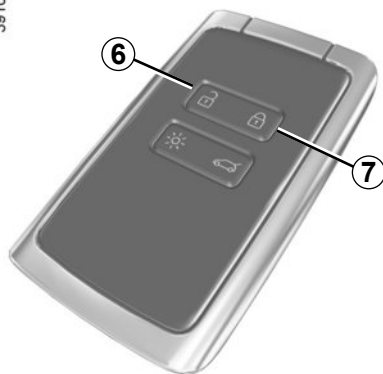
The vehicle cannot be locked if the card is within the zone 5.

If the vehicle is unlocked by pressing the button on the RENAULT card, but the doors or boot are not then opened; remote “hands-free” locking is disabled.



## RENAULT CARD: use (4/5)

39100



### Using the card as a remote control

#### Unlocking with the card RENAULT

Press button **6**. Unlocking is indicated by **one flash** of the hazard warning lights and the indicator lights.

#### Locking using the RENAULT card

With the doors and boot closed, press button **7**: the vehicle locks. The indicator lights and hazard warning lights **flash twice** to indicate that the doors have locked.



40685

**Note:** The maximum distance at which the vehicle locks depends on the surroundings.

#### Special features

If the a door or the boot is open or not properly closed, the vehicle cannot be locked. The vehicle will lock/unlock in quick succession, but the hazard warning lights will not flash.

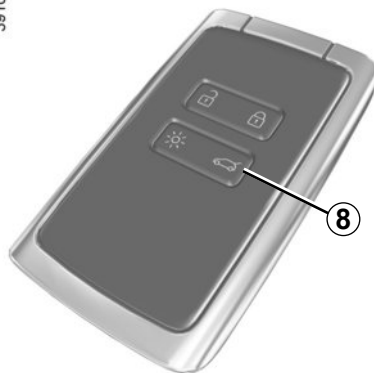
The card buttons are deactivated when the engine is running.

If, **while the engine is running**, a door is opened and closed, and the card is no longer in the zone **5**, the message Keycard not detected indicates that the card is not inside the vehicle. This will, for example, prevent you from driving away after dropping off a passenger who has kept the card on them.

The warning disappears when the card is detected again.

## RENAULT CARD: use (5/5)

39100



### Locking/unlocking only the boot

Press the button **8** to lock/unlock the boot only.



#### Driver's responsibility when parking or stopping the vehicle

Never leave an animal, child or adult who is not self-sufficient alone in your vehicle, even for a short time.

They may pose a risk to themselves or to others by starting the engine, activating equipment such as the electric windows or locking the doors, for example.

Also, in hot and/or sunny weather, please remember that the temperature inside the passenger compartment increases very quickly.

**RISK OF DEATH OR SERIOUS INJURY.**

## RENAULT CARD: deadlocking

39100



If the vehicle is equipped with a deadlocking function, this allows you to lock the opening elements and to prevent the doors from being unlocked using the interior handles (for example, by breaking the window and then trying to open the door from the inside).

To do this, press button **1** twice in quick succession.

The hazard warning lights and side indicator lights give **two** slow flashes and **three** quick flashes to indicate locking.

**Special note:** deadlocking is not possible if the hazard warning lights or the side lights are lit.



Never use deadlocking if someone is still inside the vehicle.

## LOCKING, UNLOCKING THE DOORS (1/3)

**If the remote control or, depending on the vehicle, the RENAULT card does not work**

**In some cases**, the radio frequency remote control or the RENAULT card may not work:

- RENAULT card/radio frequency remote control battery worn or run flat, vehicle battery flat, etc.
- use of appliances operating on the same frequency as the card (mobile phone, etc.);
- vehicle located in a high electromagnetic radiation zone.

It is then possible:

- depending on the vehicle, use the radio frequency remote control or the emergency key integrated in the card to unlock the front left-hand door;
- to lock each of the doors manually;
- to use the interior door locking/unlocking control (refer to the following pages).

40303



### The card's built-in key

The built-in key **2** is used to lock or unlock the front left-hand door if the RENAULT card is not working.

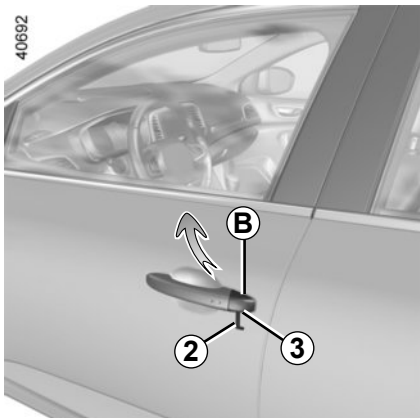
### Access with key 2

Slide the rear casing **1** downwards while pressing on zone **A**.

39102



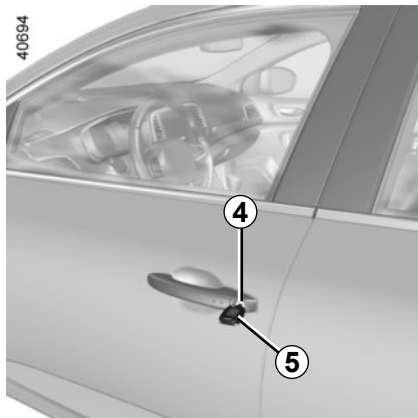
## LOCKING, UNLOCKING THE DOORS (2/3)



### Using the key integrated in the RENAULT card

- Insert the tip of the key **2** into the notch **3** at the bottom of the cover **B** on the front left-hand door;
- Move it upwards to remove the cover **B**;
- Insert the key **2** into the lock and lock or unlock the front left-hand door.

Once you are inside the vehicle, put the key back in its casing in the RENAULT card.



### Vehicles with key/remote control

#### Using the key

Insert the key **5** into the lock **4** and lock or unlock the front left-hand door.



### Locking the doors manually

Turn screw **6** with the door open (using the end of the key) and close the door.

This means that the doors are then locked from the outside.

The doors may then only be opened from the inside or by using the key in the front left-hand door.

## LOCKING, UNLOCKING THE DOORS (3/3)



### Interior locking/unlocking door control

Switch **7** controls the doors, the boot and the fuel filler flap simultaneously.

If a door or the tailgate is open or not closed properly, the doors and tailgate lock/unlock quickly.

If transporting an object with the tailgate open, you can still lock the doors: **with the engine stopped**, press and hold switch **7** for more than five seconds to lock the other doors.

### Locking the opening elements without the RENAULT card or the key

For example, in the event of a discharged battery or the RENAULT card or key temporarily not working, etc.

**With the engine switched off and a door or tailgate open**, press and hold switch **7** for more than five seconds.

When the door is closed, all the doors and the tailgate will be locked.

Unlocking the vehicle from the outside is only possible with the RENAULT card in the vehicle's access zone or using the key.

### Door and tailgate status indicator

**When the ignition is on**, the indicator light integrated in switch **7** informs you of the status of the doors and tailgate:

- indicator light on, the doors and tailgate are locked;
- indicator light off, the doors and tailgate are unlocked.

When you lock the doors from the outside, the indicator light remains lit for a moment, and then goes out.



Never leave your vehicle with the key or RENAULT card inside.

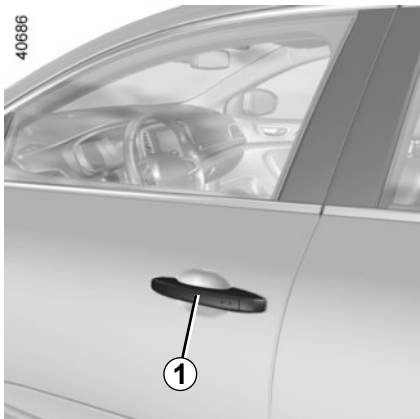


#### Driver's responsibility

If you decide to keep the doors locked when you are driving, remember that it may be more difficult for those assisting you to gain access to the passenger compartment in the event of an emergency.



## OPENING AND CLOSING THE DOORS (1/3)



### Opening the doors from the outside

With the doors unlocked or RENAULT card on you, hold handle **1** and pull it towards you.



As a safety precaution, the doors should only be opened or closed when the vehicle is stationary.



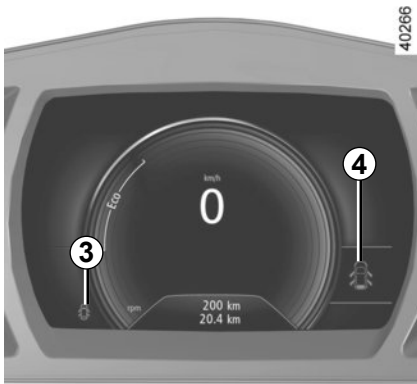
### Opening from the inside

Pull on the handle **2**.

### Lights-on reminder buzzer

A warning beep sounds when the driver's door is opened to warn you that the lights are still on.

## OPENING AND CLOSING THE DOORS (2/3)

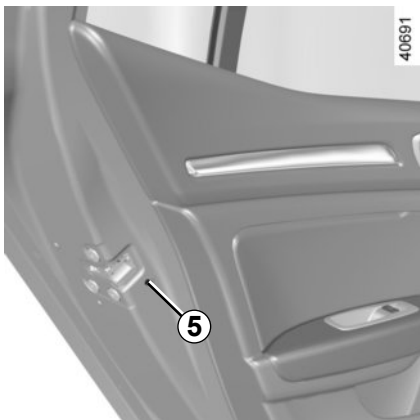


### Door/tailgate open buzzer

At a standstill, warning light **3** lights up on the instrument panel alongside warning light **4**, indicating the opening element(s) (door, boot) open or incorrectly closed.

Once the vehicle reaches a speed of approximately 12 mph (20 km/h), a warning light indicates if the door(s) or luggage compartment are open or improperly closed, along with the message “Boot open” or “Door open” and a beep will sound for around 40 seconds or until the door/luggage compartment is closed.

## OPENING AND CLOSING THE DOORS (3/3)



### Child safety

Move lever **5** and check from the inside that the doors are securely locked, to prevent the rear doors being opened from the inside.



### Driver's responsibility when parking or stopping the vehicle

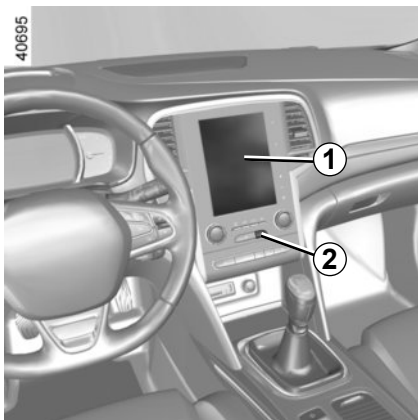
Never leave an animal, child or adult who is not self-sufficient alone on your vehicle, even for a short time.

They may pose a risk to themselves or to others by starting the engine, activating equipment such as the electric windows or locking the doors.

Also, in hot and/or sunny weather, please remember that the temperature inside the passenger compartment increases very quickly.

**RISK OF DEATH OR SERIOUS INJURY.**

# AUTOMATIC LOCKING WHEN DRIVING



## Operating principle

After the vehicle is started, the system automatically locks the doors when you are driving at approximately 6 mph (10 km/h) and over.

The door can be unlocked:

- by pressing central door unlocking switch **2**.
- at a standstill, by opening a front door from inside the vehicle.

**Note:** if a door is opened or closed, it will automatically lock again when the vehicle reaches a speed of 6 mph (10 km/h).

## Activating/deactivating the function

**To switch it on:** with the vehicle at a standstill and the engine running, press switch **2** until a beep sounds.

**To deactivate:** with the vehicle at a standstill and the engine running, press switch **2** until two beeps sound.

You can also activate/deactivate the function from the menu on the multimedia screen **1** (Refer to the information on the “Vehicle settings customisation menu” section 1, “Auto door locking while driving” function).

## Operating faults

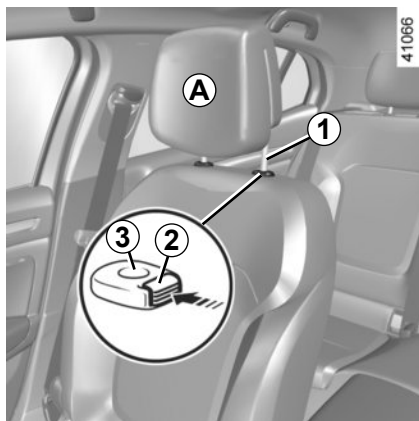
If you experience an operating fault (no automatic locking, the indicator light incorporated in switch **2** does not light up when trying to lock the doors and boot, etc.), make sure that locking has not been deactivated by mistake and check that the doors and boot are properly closed. If they are correctly locked and the fault is still present, contact an authorised dealer.



### Driver's responsibility

If you decide to keep the doors locked when you are driving, remember that it may be more difficult for those assisting you to gain access to the passenger compartment in the event of an emergency.

## FRONT HEADRESTS



### To raise the headrest

Pull the headrest upwards to the desired height. Check that the bonnet is correctly locked.

### To lower the headrest

Press button **2** and guide the headrest down to the desired height. Check that the bonnet is correctly locked.

### To adjust the angle of the headrest

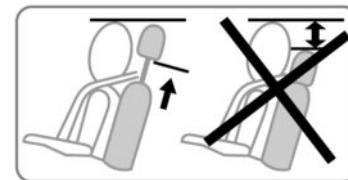
If your vehicle is thus equipped, move the **A** section towards or away from you to the required position

### To remove the headrest

Raise the headrest to its highest position (tilt the seatback backwards if necessary). Press button **2** and lift the headrest to release it.

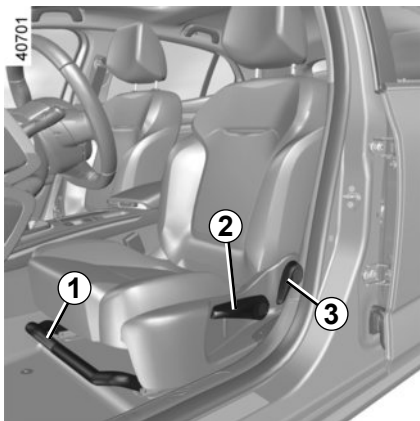
### To refit the headrest

Check that the headrest rods are clean **1**. The rod with a notch should be inserted into the slot **3** fitted with a locking button **2**. Insert the headrest rods into the holes (tilt the seatback backwards if necessary). Press the **2** button and push in the headrest as far as it will go, then adjust it to the desired height. Check that each rod **1** on the seatback is securely locked.



The headrest is an important safety component: ensure that it is in place and in the correct position. The distance between your head and the headrest and the distance between the head and section **A** should be as small as possible.

## FRONT SEATS (1/3)



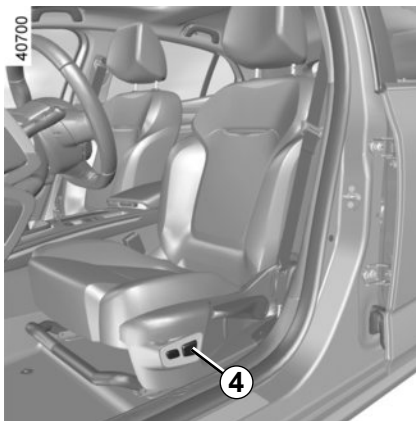
### Settings

#### To move the seat forwards or back

Lift handle **1** to release. Release the handle at the desired position and make sure that it is locked.

#### To raise or lower the seat base

Move lever **2** as many times as necessary upwards or downwards.



#### To tilt the seatback

Lift handle **3** and tilt the seatback to the desired position. Release the handle at the desired position and make sure that it is locked.

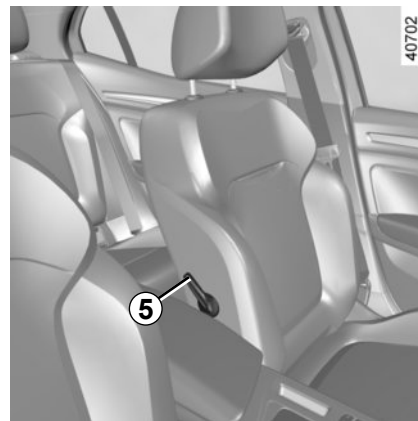
#### To adjust the seat's lumbar position

Depending on the vehicle:

- move the switch **4** forwards, backwards, up or down;

or

- lower the handle **5** to increase the support and lift it to decrease it.



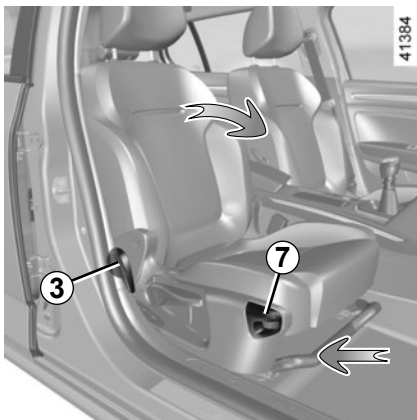
For safety reasons, make these adjustments only when the vehicle is stationary.

We would advise you not to recline the seatbacks too far to ensure that the effectiveness of the seat belts is not reduced.

Nothing should be placed on the floor (area in front of driver) as such objects may slide under the pedal during braking manoeuvres, thus obstructing its use.



## FRONT SEATS (2/3)



### Table function

Depending on the vehicle, the passenger seatback may be folded down onto the seat base to create a table.

- Lower the headrest;
- move the seat back;
- lift the lever **3** and tilt the seatback forwards as far as possible;
- pull the handle **7** and fully lower the seatback.



For your safety, attach any transported objects when the seat is in the table position.

When using the passenger seat in table position, you must not use the two rear seats immediately behind it.



Be sure to hold the seatback when placing it in the flat position. Risk of injury.



When the front seat is in table position, the front passenger airbag must be deactivated (see the information on "Child safety: activating/deactivating the front passenger airbag" in Section 1).

Risk of serious injury caused by items resting on the seatback table which may be dislodged when the airbag is deployed.

The label (on the dashboard) and the markings (on the windscreen) remind you of these instructions.

### Repositioning the seat

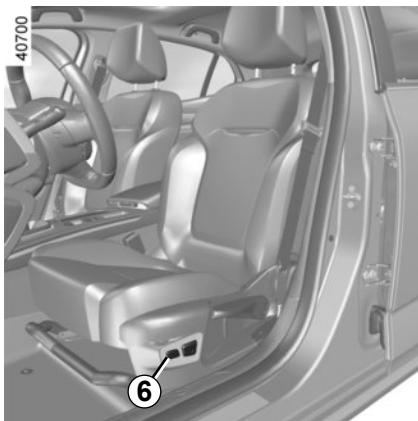
Make sure that nothing prevents the seat from moving.

- Pull the handle **7** and raise the seatback, ensuring that it locks firmly in place.
- Reposition the seat base.



For safety reasons, carry out any adjustments when the vehicle is not being driven.

## FRONT SEATS (3/3)



### Functions

#### Message

From the multimedia screen, you can access the driver's seat massage function. On equipped vehicles, the switch 6 provides direct access to the "Message" menu on the multimedia screen.

To activate the function:

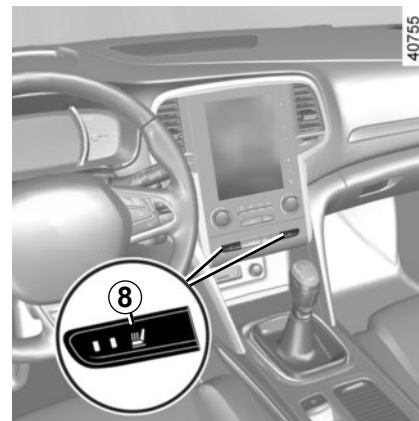
- select the menu "Vehicle", "Seats" then "Message";
- select the type of massage ("Tonic", "Relaxing" or "Lumbar");



- adjust the intensity (+ or -);
- adjust the speed (+ or -);
- reset the selected settings. Press 7 then "Reset";
- activate/deactivate the massage seat (ON or OFF).

**Note:** the mode selected in the "Multi-Sense" menu may affect the massage configuration (please refer to the information in "Multi-Sense" in Section 3).

Please refer to the multimedia equipment instructions for further information.

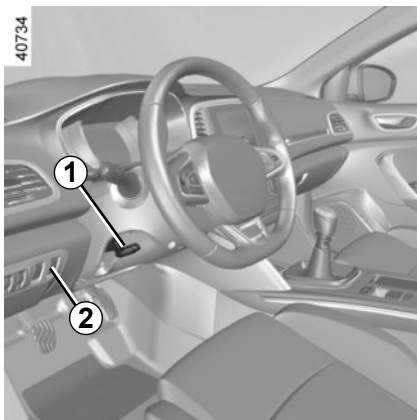


### Heated seats

With the ignition on:

- pressing the switch 8 on the required seat for the first time activates the heating system at maximum power. Both integrated switch warning lights come on;
- a second press decreases the heating to minimum power. One integrated warning light comes on;
- pressing for the third time turns the heating off.

# STEERING WHEEL



## Adjusting the steering wheel height and depth

Lower the lever **1** and position the steering wheel in the required position.

Then, raise the lever fully, beyond the point of resistance to lock the steering wheel.

Make sure that the steering wheel is correctly locked.



For safety reasons, only adjust the steering wheel when the vehicle is stationary.



## Steering wheel heating (depending on the vehicle)

This function heats the steering wheel in areas **3** and **4**.

### Operating principle

When the temperature is reached, the function regulates the temperature of the heated areas for approximately 30 minutes and then switches off automatically.

### Activating the function

With the ignition on, press the switch **2**, the warning light integrated in the switch lights up.

### Deactivating the function

#### - Automatic:

The function switches off automatically after the regulation phase of approximately 30 minutes. The warning light integrated in the switch **2** remains on.

**Note:** If the function has switched off automatically, press the switch **2** twice to reactivate it.

If the switch **2** is not pressed again, the function will be reactivated the next time the ignition is switched on.

#### - Manually:

To deactivate the function during the regulation phase, press the switch **2**. The indicator light in the switch **2** goes out.

## SEAT BELTS (1/4)

Always wear your seat belt when travelling in your vehicle. You must also comply with the legislation of the particular country you are in.

**Before starting, first adjust your driving position, then ask all occupants to adjust their seat belts to ensure optimum protection.**



Incorrectly adjusted or twisted seat belts may cause injuries in the event of an accident.

Use one seat belt per person, whether child or adult.

Even pregnant women should wear a seat belt. In this case, ensure that the lap belt is not exerting too much pressure on the abdomen, but do not allow any slack.

### Adjusting your driving position

- **Depending on the vehicle, adjust the position of your headrest.** For maximum safety, your head must be as close as possible to the headrest;
- **sit well back in your seat** (having removed your coat or jacket, etc.). This is essential to ensure your back is positioned correctly;
- **adjust the distance between the seat and the pedals.** Your seat should be as far back as possible while still allowing you to depress the clutch pedal fully. The seatback should be adjusted so that your arms are slightly bent when you hold the steering wheel;
- **adjust the height of the seat.** This adjustment allows you to select the seat position which offers you the best possible view;
- **adjust the position of the steering wheel.**



### Adjusting the seat belts

Sit with your back firmly against the seatback.

Shoulder strap **1** should be as close as possible to the base of the neck but not on it.

Lap belt **2** should be worn flat over the thighs and against the pelvis.

The belt should be worn so that it is as close as possible to your body, i.e.: avoid wearing heavy clothing or keeping bulky objects under the belts, etc.

## SEAT BELTS (2/4)



### Locking

Unwind the belt **slowly and smoothly** and ensure that buckle **3** locks into catch **5** (check that it is locked by pulling on buckle **3**).

If the belt jams, allow it to return slightly before attempting to unwind it again.

If your seat belt is completely jammed, pull slowly, but firmly, so that just over 3 cm unwinds. Allow it to return slightly before attempting to unwind it again.


If there is still a problem, contact an approved dealer.

### Driver's seat belt reminder and, depending on the vehicle, front passenger seat belt reminder

This lights up on the central display when the engine is started. If the driver's or front passenger's seat belt (if this seat is occupied) is not fastened and the vehicle has reached approximately 12.4 mph (20 km/h), it flashes and a beep sounds for around 120 seconds.

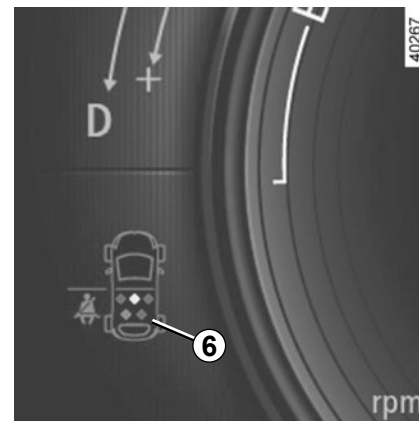
**Note:** an object placed on the passenger seat base may activate the warning light in some cases.

### Rear seat belt reminder

The warning light  lights up on the central display accompanied, depending on the vehicle, by a message indicating the number of seat belts buckled (for approximately 30 seconds) or the graphic **6**.

In all cases, these messages appear with each:

- starting the vehicle;
- opening a door;
- fastening or unfastening of a rear seat belt (for this case, the information is accompanied by a beep lasting approximately 30 seconds).



Check that the rear passengers are wearing seat belts and that the number of seat belts shown as fastened corresponds to the number of rear seat places occupied.

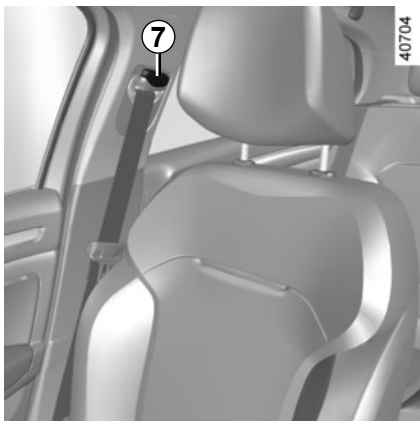
On the graphic **6**:

- marker in green: seat belt fastened;
- marker in red: seat belt unfastened.

### Unfastening

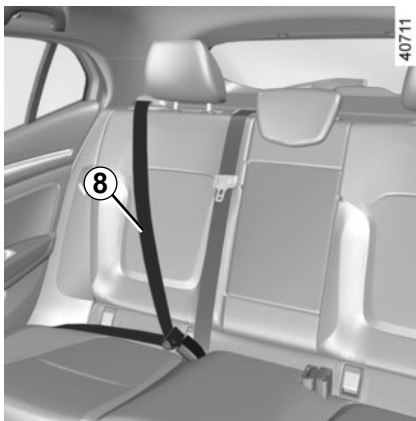
Press button **4** and the seat belt will be rewound by the inertia reel. Guide the belt.

## SEAT BELTS (3/4)




### Adjusting the height of the front seat belts

Use button **7** to adjust the seat belt height so that the shoulder strap is worn as shown previously. Press the **7** control and raise or lower the seat belt. Make sure that the seat belt is locked in position correctly after you have adjusted it.

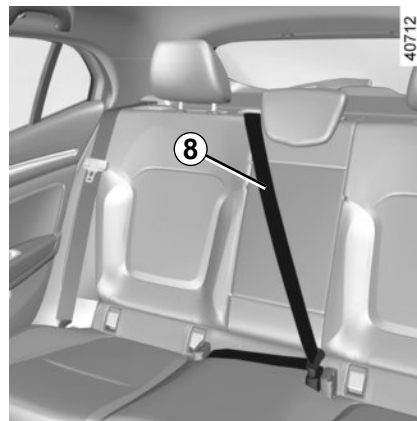


### Rear seat belts **8**

The belts are locked, unlocked and adjusted in the same way as the front belts.



Check that the rear seat belts are positioned and operating correctly each time the rear bench seat is moved.



## SEAT BELTS (4/4)

The following information applies to the vehicle's front and rear seat belts.



- No modification may be made to the component parts of the originally fitted restraint system: seat belts, seats and their mountings. For special operations (e.g. fitting child seats), contact an authorised dealer.
- Do not use devices which allow any slack in the belts (e.g. clothes pegs, clips, etc.): a seat belt which is worn too loosely may cause injury in the event of an accident.
- Never wear the shoulder strap under your arm or behind your back.
- Never use the same belt for more than one person and never hold a baby or child on your lap with your seat belt around them.
- The belt should never be twisted.
- Following an accident, have the seat belts checked and replaced if necessary. Always replace your seat belts as soon as they show any signs of wear.
- When positioning the rear bench seat, make sure that the seat belts and buckles are correctly positioned so that they can be used properly.
- Make sure that the buckle is inserted into the appropriate catch.
- Ensure that no objects are placed in the area around the seat belt catch as they could prevent it from being properly secured.
- Make sure the seat belt catch is properly positioned (it should not be hidden away, crushed or flattened by people or objects).

# METHODS OF RESTRAINT IN ADDITION TO THE FRONT SEAT BELTS (1/6)

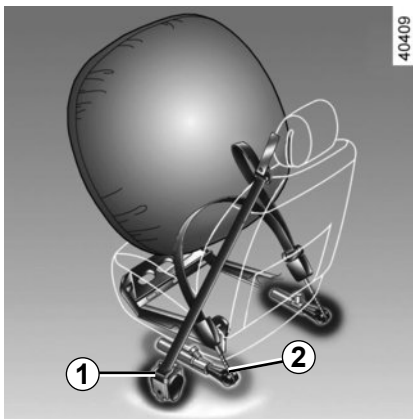
Depending on the vehicle, they are composed of:

- **seat belt inertia reel pretensioners;**
- **central seat belt pretensioners;**
- **chest-level load limiter;**
- **airbags driver and passenger front.**

These systems are designed to act independently or together when the vehicle is subjected to a frontal impact.

Depending on the severity of the impact, the system can trigger:

- seat belt locking;
- the seat belt inertia reel pretensioner (which engages to correct seat belt slack);
- the lap belt pretensioners to hold the occupant in his seat;
- the front airbag.



## Pretensioners

The pretensioners hold the seat belt against the body, holding the occupant more securely against the seat, thus increasing the seat belt's efficiency.

In the event of a severe frontal impact and if the ignition is switched on, the system may engage the following depending on the force of the impact:

- the seat belt inertia reel pretensioner **1** which instantly retracts the seat belt;
- the lap seat belt pretensioner **2** on the front seats.



– Have the entire restraint system checked following an accident.

– No operation whatsoever is permitted on any part of the system (pretensioners, airbags, computers, wiring) and the system components must not be reused on any other vehicle, even if identical.

– Only qualified personnel from our Network may work on the airbags; otherwise the system may trigger accidentally and cause injury.

– The electric trigger system may only be tested by a specially trained technician using special equipment.

– When the vehicle is scrapped, contact an approved dealer for disposal of the pretensioner and airbags gas generators.



# METHODS OF RESTRAINT IN ADDITION TO THE FRONT SEAT BELTS (2/6)

## Load limiter


Above a certain severity of impact, this mechanism is used to limit the force of the belt against the body so that it is at an acceptable level.

## driver and passenger front Airbags


Fitted to the driver and passenger sides.

The presence of this equipment is indicated by the word "airbag" on the steering wheel, dashboard (in the area of the airbag **A**) and, depending on the vehicle, a label on the lower section of the windscreen.

Each airbag system consists of:

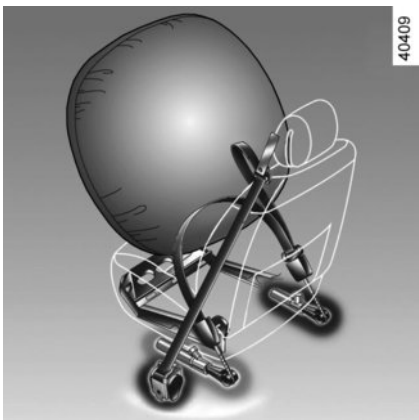
- an airbag and gas generator fitted on the steering wheel for the driver and in the dashboard for the passenger;
- an electronic unit for system monitoring which controls the gas generator electrical trigger system;
- remote sensors;
- a single warning light  on the instrument panel.





The airbag system uses pyrotechnic principles. This explains why, when the airbag inflates, it will generate heat, produce smoke (this does not mean that a fire is about to start) and make a banging noise. In a situation where an airbag is required, it will inflate immediately and this may cause some minor, superficial grazing to the skin or other problems.

## METHODS OF RESTRAINT IN ADDITION TO THE FRONT SEAT BELTS (3/6)



### Operation

This system is only operational when the ignition is switched on.

In a severe frontal impact, the airbags inflate rapidly, cushioning the impact of the driver's head and chest against the steering wheel and of the front passenger against the dashboard. The airbags then deflate immediately so that the passengers are not in any way hindered from leaving the vehicle.

### Operating faults



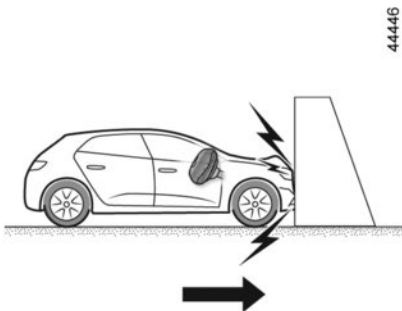
This warning light comes on when the engine is started and then goes out after approximately three seconds.

If it does not come on when the ignition is switched on or if it stays on, there is a fault in the system.

Contact your approved Dealer as soon as possible.

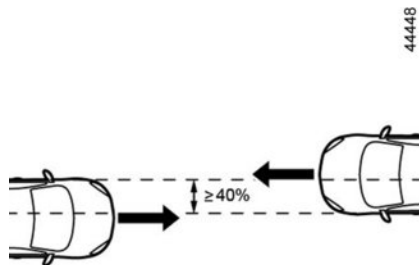
Your protection will be reduced until this fault is rectified.

## METHODS OF RESTRAINT IN ADDITION TO THE FRONT SEAT BELTS (4/6)

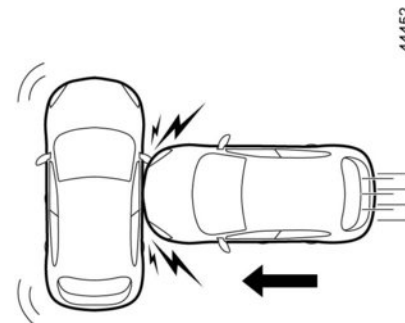


The following conditions will trigger the pretensioners or airbags.

In a frontal impact against a rigid (non-deformable) surface at an impact speed equal to or greater than **16 mph (25 km/h)**.



In the event of a frontal impact with another vehicle of an equivalent or higher category, with an impact area equal to or greater than 40%, where the speed of both vehicles is equal to or greater than **25 mph (40 km/h)**.



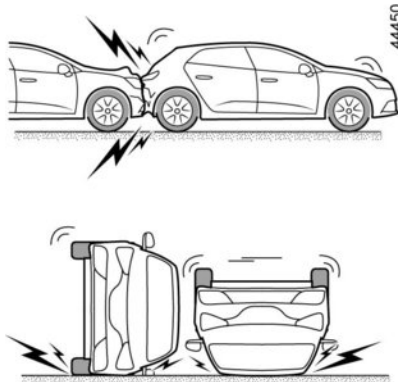
In a side impact with another vehicle of an equivalent or higher category, at an impact speed equal to or greater than **31 mph (50 km/h)**.

## METHODS OF RESTRAINT IN ADDITION TO THE FRONT SEAT BELTS (5/6)



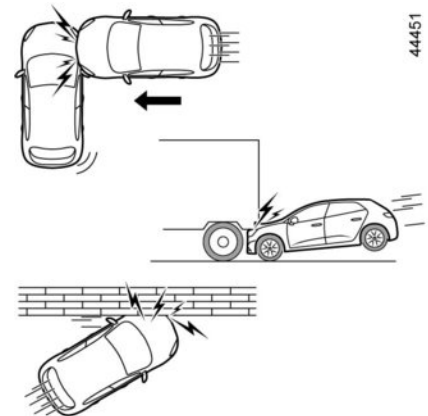
In the following examples, the pretensioners or the airbags could operate:

- impact under vehicle such as pavement;
- potholes;
- a fall or a hard landing;
- stones;
- ...



In the following examples, there is a risk that pretensioners or airbags may not be triggered:

- rear impact, however severe;
- the vehicle overturning;



- side impact to the front or rear of the vehicle;
- frontal impact, under the tail of a lorry;
- frontal impact against an obstacle with a sharp angle;
- ...

## METHODS OF RESTRAINT IN ADDITION TO THE FRONT SEAT BELTS (6/6)

All of the warnings below are given so that the airbag is not obstructed in any way when it is inflated and also to prevent the risk of serious injuries caused by items which may be dislodged when it inflates.



### **Warnings concerning the driver's airbag**

- Do not modify the steering wheel or the steering wheel boss.
- Do not cover the steering wheel boss under any circumstances.
- Do not attach any objects (badge, logo, clock, telephone holder, etc.) to the steering wheel boss.
- The steering wheel must not be removed (except by qualified personnel from our Network).
- Do not sit too close to the steering wheel when driving: Sit with your arms slightly bent (see the information on “Adjusting your driving position” in Section 1). This will allow sufficient space for the air bag to deploy correctly and to be fully effective.

### **Warnings concerning the passenger airbag**

- Do not attach or glue any objects (badge, logo, clock, telephone holder, etc.) to the dashboard on or near the airbag.
- Do not place anything between the dashboard and the passenger (pet, umbrella, walking stick, parcels, etc.).
- The passenger must not put his or her feet on the dashboard or seat as there is a risk that serious injuries may be sustained. In general, parts of the body should be kept away from the dashboard (knees, hands, head, etc.)
- The devices in addition to the front passenger seat belt should be reactivated as soon as a child seat is removed, to ensure the protection of the passenger in the event of an impact.

**A REAR-FACING CHILD SEAT MUST NOT BE FITTED TO THE FRONT PASSENGER SEAT UNLESS THE ADDITIONAL RESTRAINT SYSTEMS, I.E. THE PASSENGER AIR BAG, ARE DEACTIVATED.**

(refer to the information on “Child safety: deactivating/activating the front passenger airbag” in Section 1)

# METHODS OF RESTRAINT IN ADDITION TO THE REAR SEAT BELTS

## Force limiter

Above a certain severity of impact, this mechanism is used to limit the force of the belt against the body so that it is at an acceptable level.



- Have the entire restraint system checked following an accident.
- No operation whatsoever is permitted on any part of the system (air bags, electronic control units, wiring) and the system components must not be reused on any other vehicle, even if identical.
- Only qualified personnel from our Network may work on the air bags; otherwise the system may trigger accidentally and cause injury.

# SIDE PROTECTION DEVICES

## Side air bags

These air bags are fitted to the front seats and are activated at the sides of the seats (door side) to protect the occupants in the event of a severe side impact.

## Curtain air bags

These are airbags fitted along the sides of the vehicle in the ceiling which trigger along the front and rear door side windows to protect the passengers in case of a severe side impact.

Depending on the vehicle, a marking on the windscreen informs you of the presence of additional means of restraint (airbags, pretensioners, etc.) in the passenger compartment.



### Warning concerning the side air bag

- **Fitting seat covers:** seats equipped with an air bag require covers specifically designed for your vehicle. Contact an approved Dealer to find out if these covers are available. The use of any covers other than those designed for your vehicle (including those designed for another vehicle) may affect the operation of the air bags and reduce your protection.
- Do not place any accessories, objects or even pets between the seatback, the door and the internal fittings. Do not cover the seatback with any items such as clothes or accessories. This may prevent the air bag from operating correctly or cause injury when the air bag is deployed.
- No work or modification whatsoever may be carried out on the seat or internal fittings, except by qualified personnel from an approved dealer.

## ADDITIONAL METHODS OF RESTRAINT

All of the warnings below are given so that the air bag is not obstructed in any way when it is inflated and also to prevent the risk of serious injuries caused by items which may be dislodged when the air bag inflates.



The air bag is designed to complement the action of the seat belt. Both the air bags and seat belts are integral parts of the same protection system. It is therefore essential to wear seat belts at all times. If seat belts are not worn, the occupants are exposed to the risk of serious injury in the event of an accident. It may also increase the risk of minor superficial injuries occurring when the air bag is deployed, although such minor injuries are always possible with air bags.

If the vehicle should overturn or suffer a rear impact, however severe, the pretensioners and air bags are not always triggered. Shocks to the underbody of the vehicle, e.g. from pavements, potholes or stones, can all trigger these systems.

- No work or modification **whatsoever** may be carried out on any part of the air bag system (air bags, pretensioners, computer, wiring harness, etc.), except by qualified personnel from an approved dealer.
- To ensure that the system is in good working order and to avoid accidental triggering of the system which may cause injury, only qualified Network personnel may work on the air bag system.
- As a safety precaution, have the air bag system checked if your vehicle has been involved in an accident, or is stolen or broken into.
- When selling or lending the vehicle, inform the user of these points and hand over this driver's handbook with the vehicle.
- When scrapping your vehicle, contact your approved dealer for disposal of the gas generator(s).



## CHILD SAFETY: General information (1/2)

### Carrying children

Please ensure that you comply with the legislation of your country.

Children, and adults, must be correctly seated and strapped in for all journeys. The children being carried in your vehicle are your responsibility.

A child is not a miniature adult. Children are at risk of specific injuries as their muscles and bones have not yet finished growing. The seat belt alone would not provide suitable protection. Use an approved child seat and ensure you use it correctly.



To prevent the doors being opened, use the “Child safety” device (refer to the information on “Opening and closing the doors” in Section 1).



A collision at 30 mph (50 km/h) is the same as falling a distance of 10 metres.

Transporting a child without a restraint is the equivalent of allowing him or her to play on a fourth-floor balcony without railings.

Never travel with a child held in your arms. In the event of an accident, you will not be able to keep hold of the child, even if you yourself are wearing a seat belt.

If your vehicle has been involved in a road accident, replace the child seat and have the seat belts and ISOFIX anchorage points checked.



### **Driver's responsibility when parking or stopping the vehicle**

Never leave an animal, child or adult who is not self-sufficient alone on your vehicle, even for a short time.

They may pose a risk to themselves or to others by starting the engine, activating equipment such as the electric windows or by locking the doors.

Also, in hot and/or sunny weather, please remember that the temperature inside the passenger compartment increases very quickly.

**RISK OF DEATH OR SERIOUS INJURY.**

## CHILD SAFETY: General information (2/2)

### Using a child seat

The level of protection offered by the child seat depends on its ability to restrain your child and on its installation. Incorrect installation compromises the protection it offers the child in the event of harsh braking or an impact.

Before purchasing a child seat, check that it complies with the regulations for the country you are in and that it can be fitted in your vehicle. Consult an approved dealer to find out which seats are recommended for your vehicle.

Before fitting a child seat, read the manual and respect its instructions. If you experience any difficulties during installation, contact the manufacturer of the equipment. Keep the instructions with the seat.

Set a good example by always fastening your seat belt and teaching your child:

- to strap themselves in correctly;
- to always get in and out of the car at the kerb, away from busy traffic.

Do not use a second-hand child seat or one without an instruction manual.

Check that there are no objects in the vicinity of the child seat which could impede its operation.



Never leave a child unattended in the vehicle.

Check that your child is always strapped in and that the belt or safety harness used is correctly set and adjusted. Avoid wearing bulky clothing which could cause the belts to slacken.

Never let your child put their head or arms out of the window.

Check that the child is in the correct position for the entire journey, especially if asleep.

## CHILD SAFETY: choosing a child seat



### Rear-facing child seats

A baby's head is, proportionally, heavier than that of an adult and its neck is very fragile. Transport the child in this position for as long as possible (until the age of 2 at the very least). It supports both the head and the neck.

Choose a bucket type seat for best side protection and change it as soon as the child's head is higher than the shell.



### Forward-facing child seats

The child's head and abdomen need to be protected as a priority. A forward-facing child seat which is firmly attached to the vehicle will reduce the risk of impact to the head. Ensure your child travels in a forward-facing seat with a harness for as long as their size permits.

Choose a bucket type seat for optimum side protection.



### Booster cushions

From 15 kg or 4 years, the child can travel using a booster seat, which will enable the seat belt to be adapted to suit his/her size and shape. The booster seat cushion must be fitted with guides to position the seat belt on the child's thighs rather than the stomach. It is recommended that you use a seat-back fitted with a belt strap guide which can be adjusted in terms of height to position the seat belt in the centre of the shoulder. It must never rest on the neck or on the arm.

Choose a bucket type seat for optimum side protection.

## CHILD SAFETY: choosing a child seat mounting (1/4)

There are two ways of attaching child seats: via the seat belt or using the ISOFIX system.

### Attachment via the seat belt

The seat belt must be adjusted to ensure that it is effective in the event of harsh braking or an impact.

Ensure that the strap paths indicated by the child seat manufacturer are respected.

Always check that the seat belt is correctly fastened by pulling it up, then pulling it out fully whilst pressing on the child seat.

Check that the seat is correctly held by moving it from side to side and back to front: the seat should remain firmly fixed.

Check that the child seat has not been installed at an angle and that it is not resting against a window.



Do not use the child seat if it may unfasten the seat belt restraining it: the base of the seat must not rest on the buckle and/or catch of the seat belt.



The seat belt must never be twisted or the tension relieved. Never pass the shoulder strap under the arm or behind the back. Check that the seat belt has not been damaged by sharp edges. If the seat belt does not operate normally, it will not protect the child. Consult an approved dealer. Do not use this seat until the seat belt has been repaired.

## CHILD SAFETY: choosing a child seat mounting (2/4)

### Attachment using the ISOFIX system

Approved child seats ISOFIX are standardised in accordance with current regulations if any of the four cases below applies:

- ISOFIX universal 3-point forward-facing seat;
- ISOFIX semi-universal 2-point seat;
- Specific;
- i-Size Which has:
  - either a belt which attaches to the third ring of the seat concerned;
  - or a strut that rests on the vehicle floor, compatible with the approved seat i-Size, the role of which is to prevent the child seat from moving in the event of a collision.

In the latter three cases check that your child seat can be installed by consulting the list of compatible vehicles.

Attach the child seat with the ISOFIX locks, if these are provided. The ISOFIX system allows quick, easy, safe fitting.

The ISOFIX system consists of 2 rings and, in some cases, a third ring.

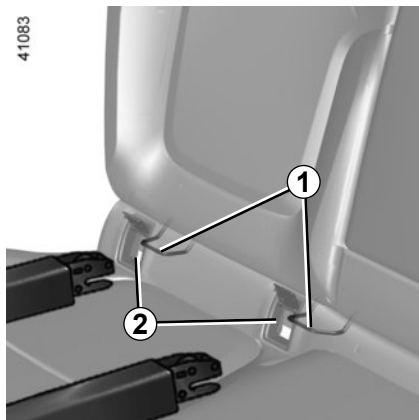


No modifications may be made to the component parts of the restraint system (ISOFIX seat belts, seats and their mountings) originally fitted.



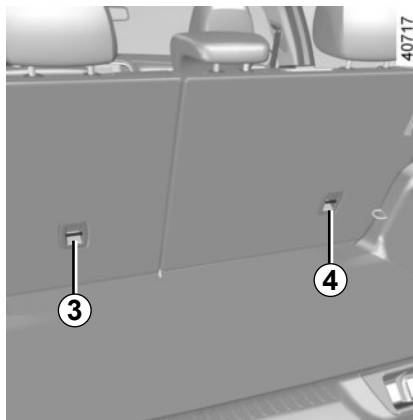
Before using an ISOFIX child seat that you purchased for another vehicle, check that its installation is authorised. Consult the list of vehicles which can be fitted with the seat from the equipment manufacturer.

## CHILD SAFETY: choosing a child seat mounting (3/4)



### Attachment using the ISOFIX system

The two rings **1** are located between the seatback and the seat base of the seat and are identified by a marking. To position and lock the child seat on the rings **1**, insert the child seat mountings in the access guides **2**.




The third ring **3** or **4** is used to attach the upper strap on some seats ISOFIX.



The ISOFIX anchorage points have been exclusively designed for child seats with the ISOFIX system. Never fit a different type of child seat, seat belt or other objects to these anchorage points. Check that nothing is obstructing the anchorage points.

If your vehicle has been involved in a road accident, have the ISOFIX anchorage points checked and replace your child seat.

The rings are located on the rear seatbacks and indicated by the symbol .

In all cases, attach the strap hook to the corresponding ring **3** or **4** and place the seat in the desired position.

Pull the belt so that the back of the child seat comes into contact with the back of the vehicle seat.



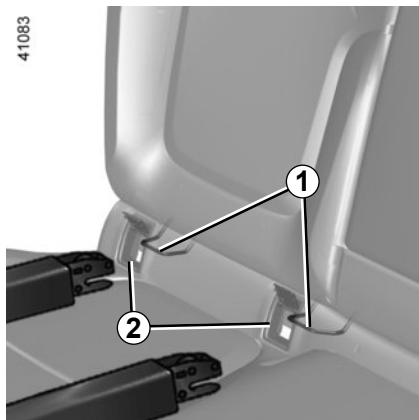
Check that the seatback of the forward-facing child seat is in contact with the seatback of the vehicle seat. In this case, the child seat may not always rest on the seat base of the vehicle seat.



The child seat strap **must** be attached to the corresponding ring.

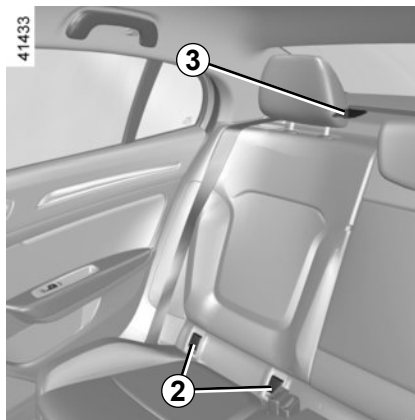
Do not use any other mounting point.

## CHILD SAFETY: choosing a child seat mounting (4/4)



### Attachment using the ISOFIX system (4-door version)

The two rings **1** are located between the seatback and the seat base of the seat and are identified by a marking. To position and lock the child seat on the rings **1**, insert the child seat mountings in the access guides **2**.



The third ring **3** is used to attach the upper strap on some seats ISOFIX.

The rings are located behind the rear seats and indicated by the symbol

Attach the strap hook to the corresponding ring **3** and place the vehicle seat in the desired position.

Pull the belt so that the back of the child seat comes into contact with the back of the vehicle seat.



The ISOFIX anchorage points have been exclusively designed for child seats with the ISOFIX system. Never fit a different type of child seat, seat belt or other objects to these anchorage points. Check that nothing is obstructing the anchorage points.

If your vehicle has been involved in a road accident, have the ISOFIX anchorage points checked and replace your child seat.



Check that the seatback of the forward-facing child seat is in contact with the seatback of the vehicle seat. In this case, the child seat may not always rest on the seat base of the vehicle seat.



The child seat strap **must** be attached to the corresponding ring.

Do not use any other mounting point.

## CHILD SAFETY: fitting a child seat, general information (1/2)

Some seats are not suitable for fitting child seats. The diagram on the following page shows you how to attach a child seat.



Fit the child seat in a rear seat wherever possible.

Make sure that the child seat or the child's feet do not prevent the front seat from locking correctly. Refer to the information on the "Front seat" in Section 1.

Check that when installing the child seat in the vehicle it is not at risk of coming loose from its base.

If you have to remove the headrest, check that it is correctly stored so that it does not come loose under harsh braking or impact.

Always attach the child seat to the vehicle even if it is not in use so that it does not come loose under harsh braking or impact.

The types of child seat indicated may not be available. Before using a different child seat, check with the manufacturer that it can be fitted.

### In the front seat

The laws concerning children travelling in the front passenger seat differ in every country. Consult the legislation in force and follow the indications on the diagram on the following page.

Before fitting a child seat in this seat (if authorised):

- lower the seat belt as far as possible;
- move the seat as far back as possible;
- gently tilt the seatback away from vertical (approximately 25°);
- on equipped vehicles, raise the seat base as far as possible.

In all cases, for vehicles fitted with adjustable headrests, lift the headrest on the seat as high as possible so that it does not interfere with the child seat (refer to the information on "Front headrest" in section 1).

After installing the child seat, when this is possible, you can move the vehicle seat forward if necessary (so as to leave enough space in the rear seats for passengers or other child seats). For a rear-facing child seat, do not let it touch the dashboard or move it to the furthest forward position.

Do not change other settings after installing the child seat.



### **RISK OF DEATH OR SERIOUS INJURY:**

before fitting a rear-facing child seat to this seat, check that the airbag has been deactivated (refer to the information on "Child safety: deactivating/activating the front passenger airbag in Section 1).



## CHILD SAFETY: fitting a child seat, general information (2/2)

### In the rear seat

A carrycot can be installed across the vehicle and will take up at least two seats. Position the child with his or her feet nearest the door.

Move the front seat as far forward as possible to install a rear-facing child seat, then move back the seat in front as far as it will go, although without allowing it to come into contact with the child seat.

For the safety of a child in the facing forwards, move the seat as far back as possible and move the seat in front of the child forward, remembering to move the seatback forwards to avoid contact between the seat and the child's legs.

Always remove the headrest from the rear seat used for the child seat (see "Rear headrests" in Section 3). If necessary, position the rear vehicle seat as far back as possible. This must be done before fitting the child seat.

Check that the child seat is resting against the back of the vehicle seat.



A child seat with floor supports must never be installed on the rear centre seat. **RISK OF DEATH OR SERIOUS INJURY.**



When fitting a child seat (Group 2 or 3 booster seat), check that the seat belts operate (wind) correctly: refer to Section 1 "Rear seat belts". If necessary, adjust the position of the vehicle seat.



Ensure that the child seat or the child's feet do not prevent the front seat from locking correctly. Refer to the information on the "Front seat" in Section 1 or "Rear seat operation" in Section 3.

## CHILD SEATS: attachment by seat belt (1/3)

The table below summarises the information already shown in the diagram on the following pages, to ensure the applicable regulations are respected.

Type of child seat	Weight of the child	Front passenger seat (1)	Rear side seats	Rear centre seat
<b>Carrycot fitted across the vehicle</b> Group 0	< 10 kg	X	U (2)	X
<b>Rear-facing shell seat</b> Groups 0 or 0 +	< 10 kg and < 13 kg	U (5)	U (3)	U (3)
<b>Shell seat/rear-facing seat</b> Groups 0+ and 1	< 13 kg and 9 to 18 kg	U (5)	U (3)	U (3)
<b>Forward-facing seat</b> Group 1	9 to 18 kg	X	U (4)	U (4)
<b>Booster seat</b> Groups 2 and 3	15 to 25 kg and 22 to 36 kg	X	U (4)	X



**(1) RISK OF DEATH OR SERIOUS INJURY:** Before installing a child seat on the front passenger seat, check that the airbag has been deactivated (please refer to “Child safety: front passenger airbag deactivation and activation” in Section 1).

## **CHILD SEATS: attachment by seat belt (2/3)**

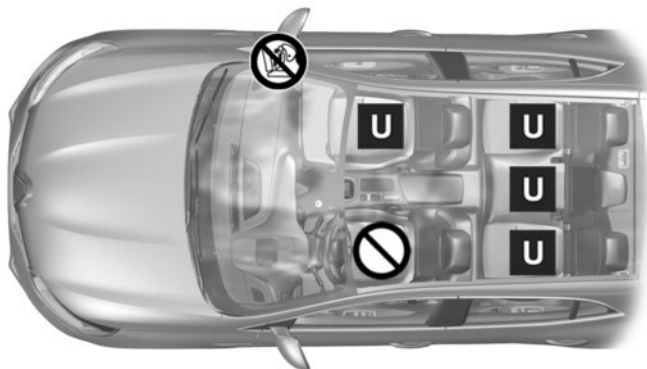
**X** = Seat not suitable for fitting child seats of this type.

**U** = Seat which allows a child seat with “Universal” approval to be installed using a seat belt; check that it can be fitted.

- (2)** A carrycot can be installed across the vehicle and will take up at least two seats. Position the child with his or her feet nearest the door.
- (3)** If necessary, position the vehicle seat as far back as possible. Move the front seat as far forward as possible to install a rear-facing child seat, then move back the seat in front as far as it will go, although without allowing it to come into contact with the child seat.
- (4)** In all situations, remove the rear headrest of the seat on which the child seat is positioned. This must be done before fitting the child seat. Please refer to the information on the “Rear headrests” in Section 3. Move the seat in front of the child forwards, move the seatback forward to avoid contact between the seat and the child’s legs.
- (5)** Raise the seat to the maximum and position it as far back as possible, tilting the seatback slightly (approximately 25°).

## CHILD SEATS: attachment by seat belt (3/3)

### Fitting diagram



42126



Check the status of the airbag before fitting a child seat or allowing a passenger to use the seat.



Seat not suitable for fitting child seats.

#### Child seat attached using the belt



Seat which allows a child seat with “Universal” approval to be attached by a seat belt.



#### **RISK OF DEATH OR SERIOUS INJURY:**

Before installing a child seat on the front passenger seat, check that the airbag has been deactivated (please refer to “Child safety: front passenger airbag deactivation and activation” in Section 1).



Using a child safety system which is not approved for this vehicle will not correctly protect the baby or child.

They risk serious or even fatal injury.

# CHILD SEATS: attachment using the isofix system (1/3)

## Fitting diagram



42127

### Child seat fitted using the ISOFIX mounting



Seat which allows an ISOFIX child seat to be fitted.



The rear seats are fitted with an anchorage point which allows a forward-facing ISOFIX child seat with universal approval to be attached. The anchorage points are located on the backs of the rear seats.



Seat which does not allow a child seat to be fitted.



Using a child safety system which is not approved for this vehicle will not correctly protect the baby or child. They risk serious or even fatal injury.

## CHILD SEATS: attachment using the isofix system (2/3)

The table below summarises the information already shown on the diagram on the previous pages, to ensure the regulations in force are respected.

Type of child seat	Weight of the child	Seat size ISOFIX	Front passenger seat	Rear side seats	Rear centre seat
<b>Carrycot fitted across the vehicle</b> Group 0	< 10 kg	F, G	X	X	X
<b>Rear-facing shell seat</b> Groups 0 or 0 +	< 10 kg and < 13 kg	E	X	IL (1)	X
<b>Shell seat/rear-facing seat</b> Groups 0+ and 1	< 13 kg and 9 to 18 kg	C, D	X	IL (1)	X
<b>Forward-facing seat</b> Group 1	9 to 18 kg	A, B, B1	X	IUF - IL (2)	X
<b>Booster seat</b> Groups 2 and 3	15 to 25 kg and 22 to 36 kg		X	IUF - IL (2)	X

<b>Seat i-Size</b>			X	i-U	X
--------------------	--	--	---	-----	---

## CHILD SEATS: attachment using the isofix system (3/3)

**X** = Seat not suitable for fitting child seats ISOFIX.

**IUF/IL** = On equipped vehicles, seat which allows an approved “Universal/semi-universal” or “vehicle specific” child seat to be attached using the ISOFIX system; check that it can be fitted.

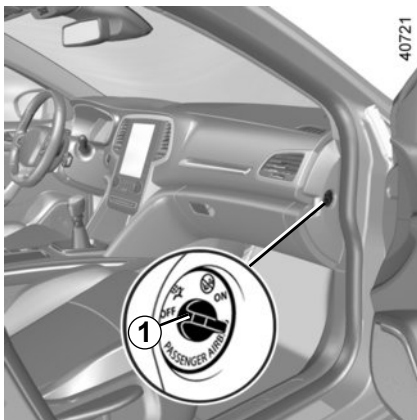
**i-U** = Suitable for the i-Size restraint devices in the “universal” forward-facing and backward-facing category.

- (1)** If necessary, position the vehicle seat as far back as possible. Move the front seat as far forward as possible to install a rear-facing child seat, then move back the seat in front as far as it will go, although without allowing it to come into contact with the child seat.
- (2)** In all situations, remove the rear headrest of the seat on which the child seat is positioned. This must be done before fitting the child seat. Please refer to the information on the “Rear headrests” in Section 3. Move the seat in front of the child forwards, move the seatback forward to avoid contact between the seat and the child’s legs.

The size of the ISOFIX child seat is indicated by a letter:

- A, B and B1: for forward-facing seats in group 1 (9 to 18 kg);
- C and D: shell seat or rear-facing seats in group 0+ (less than 13 kg) or group 1 (9 to 18 kg);
- E: rear-facing shell seats in group 0 (less than 10 kg) or 0+ (less than 13 kg);
- F and G: cots in group 0 (less than 10 kg).

## CHILD SAFETY: deactivating, activating the front passenger airbag (1/3)




### Deactivating the front passenger airbag

Before installing a child seat on the front passenger seat:

- check that the child seat can be installed on this seat;
- You must **deactivate** the airbag in the case of a child seat that is facing backwards.



To deactivate the airbag: **stationary vehicle, ignition off**, push and turn lock **1** to the OFF position.

With the ignition on, you **must** check that the warning light  is lit on the display **2**.

**This light remains permanently lit to let you know that you can fit a child seat.**



The front passenger airbag should only be activated or deactivated **when the vehicle is stationary with the ignition off.**

If it is interfered with when the vehicle is being driven, indicator lights



and  will come on.

Switch the ignition off then on again to reset the air bag in accordance with the lock position.

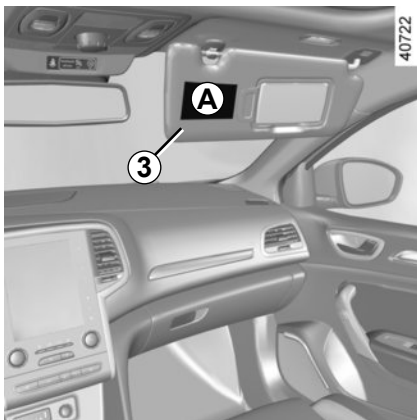


### DANGER

Since operation of the front passenger airbag is not compatible with the position of a rear-facing child seat, **NEVER** fit a rear-facing child restraint system in a seat protected by an **ACTIVATED** front **AIRBAG**. This can lead to the **DEATH** of the **CHILD** or **SERIOUS INJURY**.



## CHILD SAFETY: deactivating, activating the front passenger airbag (2/3)



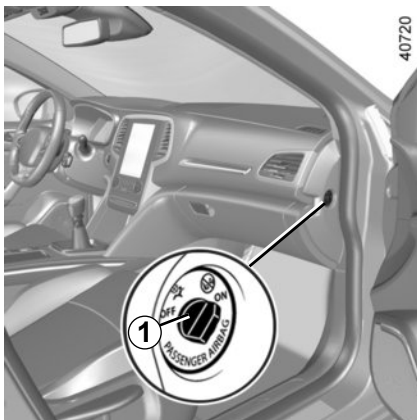
### DANGER

Since operation of the front passenger airbag is not compatible with the position of a rear-facing child seat, **NEVER** fit a rear-facing child restraint system in a seat protected by an **ACTIVATED front AIRBAG**. This can lead to the **DEATH** of the **CHILD** or **SERIOUS INJURY**.



The markings on the dashboard and labels **A** on each side of the passenger sun visor **3** (example: label shown above) remind you of these instructions.

## CHILD SAFETY: deactivating, activating the front passenger airbag (3/3)





### Activating the front passenger airbag

You should reactivate the airbag as soon as you remove the child seat from the front passenger seat to ensure the protection of the front passenger in the event of an impact.



To reactivate the airbag : with the vehicle stopped and the ignition off, push and turn lock **1** to the **ON** position. With the ignition switched on, you **must**

check that the warning light  is out and that the warning light  comes on the display **2** after each start-up for around 60 seconds.

The front passenger airbag is activated.

### Operating faults

It is forbidden to fit a rear-facing child seat to the front passenger seat if the airbag activation/deactivation system is faulty.

Allowing any other passenger to sit in that seat is not recommended.


Contact your approved dealer as soon as possible.



The front passenger airbag must only be activated or deactivated when the **vehicle is stationary with the ignition off**.

If it is interfered with when the vehicle is being driven, indicator lights



and  will come on.

Switch the ignition off then on again to reset the air bag in accordance with the lock position.

# AUDIBLE AND VISUAL SIGNALS



## Horn

Press the steering wheel boss **A** to activate the horn.

## Headlight flasher

Pull stalk **1** towards you to flash the headlights.

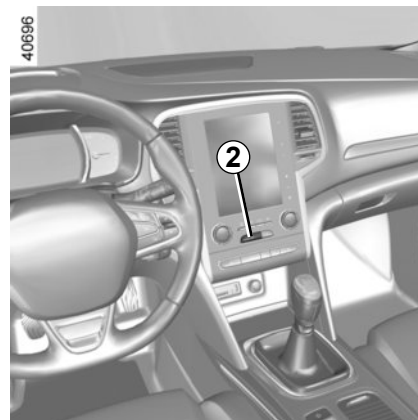
## Direction indicators

Move stalk **1** parallel to the steering wheel and in the direction you are going to turn it.

### One-touch mode

When driving, it is possible that the steering wheel may not be turned sufficiently to return the stalk automatically to its starting position.

In this case, briefly turn stalk **1** to the intermediate position, then release it: the stalk returns to its original point and the indicator light flashes three times.



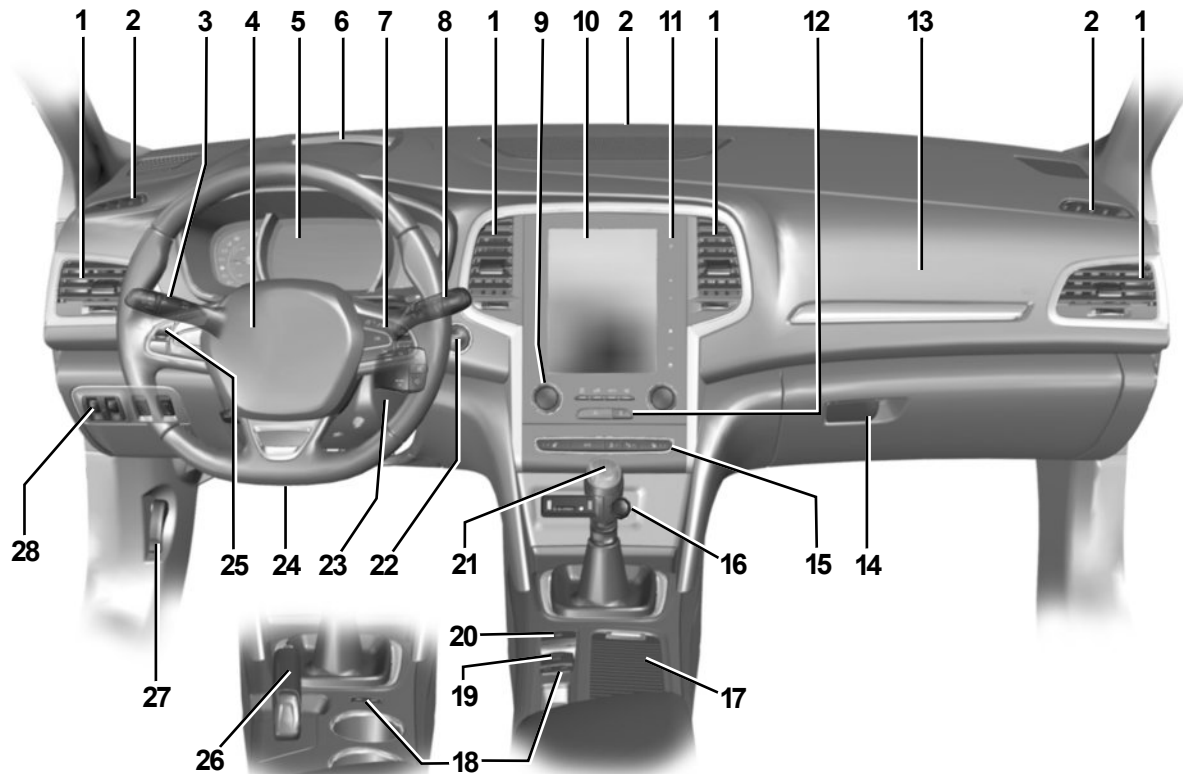
## Hazard warning lights

Press switch **2**. This switch activates all four direction indicators and the side indicator lights simultaneously. It must only be used in an emergency to warn drivers of other vehicles that you have had to stop in an area where stopping is prohibited or unexpected or that you are obliged to drive under special conditions.

Depending on the vehicle, the hazard warning lights may come on automatically under heavy deceleration. You can switch them off by pressing switch **2**.

# DRIVER'S POSITION, LEFT-HAND DRIVE (1/2)

40708

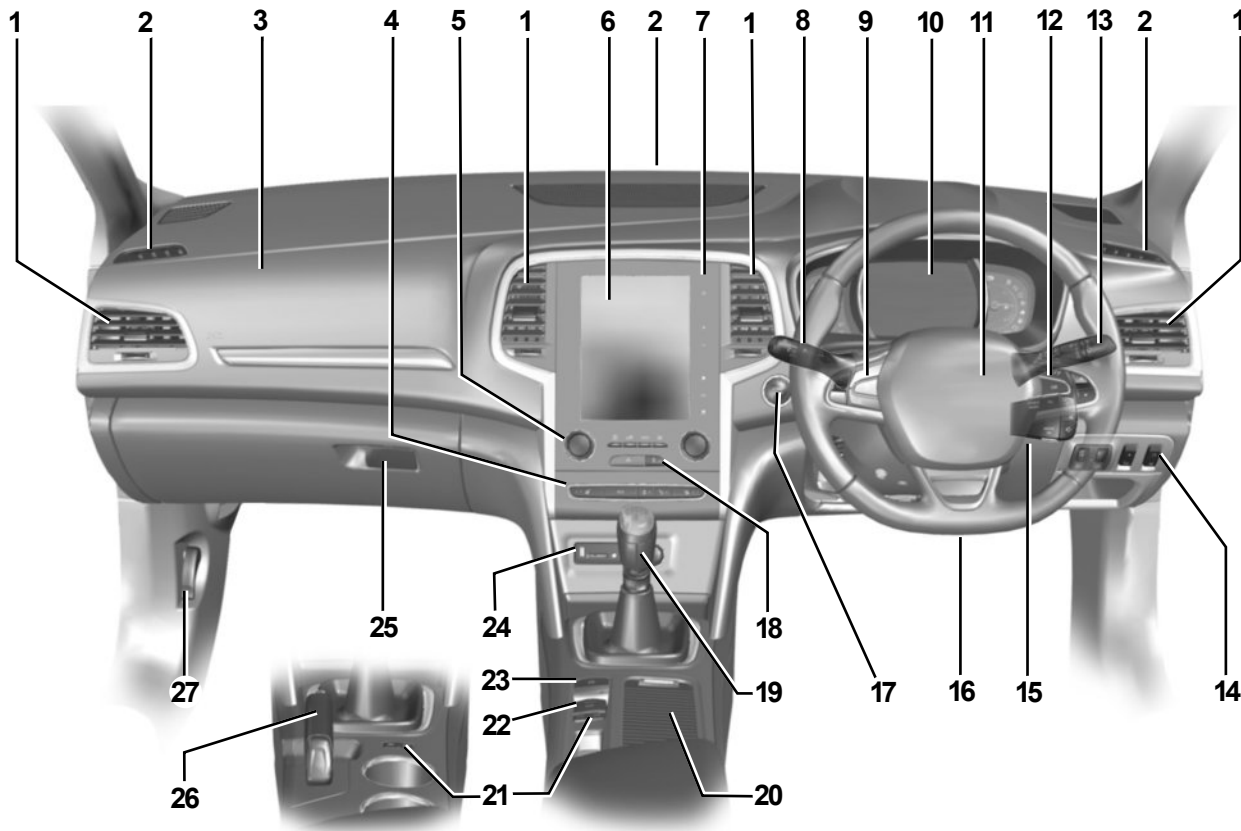


## DRIVER'S POSITION, LEFT-HAND DRIVE (2/2)

The equipment fitted, described below, **DEPENDS ON THE VERSION AND COUNTRY.**

- 1** Air vent.
- 2** Demister outlet.
- 3** Stalk for:
  - direction indicator lights;
  - exterior lights;
  - rear fog lights.
- 4** Driver Airbag and horn location.
- 5** Instrument panel.
- 6** Head-up display.
- 7** Controls for:
  - on-board computer information read-out and vehicle settings customisation menu,
  - remote radio and navigation system.
- 8** Steering column stalk for wind-screen and rear screen wash/wiper.
- 9** Heating or air conditioning controls.
- 10** Multimedia screen.
- 11** Multimedia screen controls:
  - screen activation/deactivation;
  - volume;
  - welcome menu;
  - driving aids menu;
  - settings.
- 12** Switches for:
  - hazard warning lights;
  - electric door locking.
- 13** Passenger Airbag location.
- 14** Glove compartment
- 15** Controls for:
  - front seat heating;
  - activation/deactivation, depending on the vehicle, of the ECO or RS Drive mode;
  - activation/deactivation of the parking distance control system;
  - activation/deactivation of the Stop and Start function;
  - lane departure warning.
- 16** Accessories and multimedia sockets.
- 17** Storage compartment/cup holder.
- 18** Main switch for:
  - speed limiter;
  - cruise control;
  - adaptive cruise control.
- 19** Assisted parking brake control.
- 20** Multi-Sense control.
- 21** Gearstick.
- 22** Engine start/stop button (vehicles with RENAULT card).
- 23** Ignition switch (vehicles with key).
- 24** Control for adjusting steering wheel height and reach.
- 25** Cruise control/speed limiter and adaptive cruise control controls.
- 26** Handbrake.
- 27** Bonnet release control.
- 28** Controls for:
  - headlight beam height remote adjustment;
  - lighting rheostat for control instruments;
  - steering wheel heating;
  - luggage compartment lid release;
  - unlocking the fuel tank cover.

# DRIVING POSITION: RIGHT-HAND DRIVE (1/2)



40868

## DRIVING POSITION: RIGHT-HAND DRIVE (2/2)

The equipment fitted, described below, **DEPENDS ON THE VERSION AND COUNTRY.**

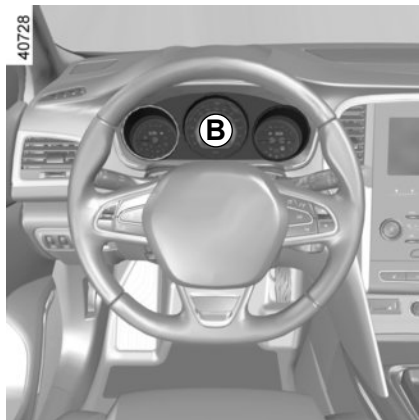
- 1** Air vent.
- 2** Demister outlet.
- 3** Passenger Airbag location.
- 4** Controls for:
  - front seat heating;
  - activation/deactivation, depending on the vehicle, of the ECO or RS Drive mode;
  - activation/deactivation of the parking distance control system;
  - activation/deactivation of the Stop and Start function;
  - lane departure warning.
- 5** Heating or air conditioning controls.
- 6** Multimedia screen.
- 7** Multimedia screen controls:
  - screen activation/deactivation;
  - volume;
  - welcome menu;
  - driving aids menu;
  - settings.
- 8** Stalk:
  - direction indicator lights;
  - exterior lights;
  - rear fog lights.
- 9** Cruise control/speed limiter and adaptive cruise control controls.
- 10** Instrument panel.
- 11** Driver Airbag and horn location.
- 12** Controls for:
  - on-board computer information read-out and vehicle settings customisation menu,
  - remote radio and navigation system.
- 13** Steering column stalk for wind-screen and rear screen wash/wiper.
- 14** Controls for:
  - headlight beam height remote adjustment;
  - lighting rheostat for control instruments;
  - steering wheel heating;
  - luggage compartment lid release;
  - unlocking the fuel tank cover.
- 15** Ignition switch (vehicles with key).
- 16** Control for adjusting steering wheel height and reach.
- 17** Engine start/stop button (vehicles with RENAULT card).
- 18** Switches for:
  - hazard warning lights;
  - electric door locking.
- 19** Gearstick.
- 20** Storage compartment/cup holders.
- 21** Main switch for:
  - speed limiter;
  - cruise control;
  - adaptive cruise control.
- 22** Assisted parking brake control.
- 23** Multi-Sense control.
- 24** Accessories and multimedia sockets.
- 25** Glove compartment
- 26** Handbrake.
- 27** Bonnet release control.

## WARNING LIGHTS (1/6)

The display of information shown below **DEPENDS ON THE VEHICLE EQUIPMENT AND COUNTRY.**



**Instrument panel A or B:** This comes on when the driver's door is opened.



In some cases, the appearance of a warning light is accompanied by a message.



Warning light **STOP** requires you to stop immediately, for your own safety, as soon as traffic conditions allow. Switch off the engine and do not restart it. Contact an approved Dealer.



If no lights or sounds are apparent, this indicates a fault in the instrument panel. This indicates that it is essential to stop immediately (as soon as traffic conditions allow). Ensure that the vehicle is correctly immobilised and contact an approved Dealer.



**Side light warning light**



**Main beam headlight tell-tale**



**Dipped beam headlight tell-tale**



**Rear fog lights tell-tale**



**Automatic main beam headlight indicator light**

Please refer to the information on "External signals and lights" in Section 1.



**Left-hand direction indicator tell-tale**



**Right-hand direction indicator tell-tale**



The **warning light** means you should **drive very carefully** to an approved dealer as soon as possible. If you fail to follow this recommendation, you risk damaging your vehicle.



## WARNING LIGHTS (2/6)

The display of information shown below **DEPENDS ON THE VEHICLE EQUIPMENT AND COUNTRY.**



### Low fuel level warning light

It lights up orange when the ignition or the engine is switched on then, depending on the vehicle, goes off after a few seconds or is displayed in white. If it comes on orange while driving and is accompanied by a beep, fill up with fuel as soon as possible. There is only approximately 30 miles (50 km) worth of fuel left.

### **STOP** STOP light

This lights up when the ignition or engine is switched on and goes out as soon as the engine is running. It comes on with other warning lights and/or messages, and is accompanied by a beep.

It requires you to stop immediately, for your own safety, as soon as traffic conditions allow. Switch off the engine and do not restart it.

Contact an approved Dealer.



### Brake circuit fault warning light

It lights up when the ignition or the engine is switched on and goes off after a few seconds.

If it comes on during braking and is accompanied by the **STOP** warning light and a beep, it indicates that the fluid level in the circuit is low or that there is a braking system fault.

Stop as soon as traffic conditions allow and consult an approved dealer.



### Battery charge warning light

It lights up when the ignition or the engine is switched on and goes off after a few seconds.

If it comes on on the road, accompanied by the **STOP** warning light and a beep, this indicates an overload or discharge in the electrical circuit.

Stop as soon as traffic conditions allow and contact an approved Dealer.



### Oil pressure warning light

It lights up when the ignition or the engine is switched on and goes off after a few seconds.

If it comes on on the road, accompanied by the **STOP** warning light and a beep, stop immediately and cut the ignition.

Check the oil level. If the level is normal, the indicator light is being lit by something else.

Call an approved Dealer.



### Warning light for electronic stability program ( ESC ) and traction control system

It lights up when the ignition or the engine is switched on and goes off after a few seconds.

There are several reasons for the warning light to come on: please refer to the information on “Driver correction devices and aids” in Section 2.

## WARNING LIGHTS (3/6)

The display of information shown below **DEPENDS ON THE VEHICLE EQUIPMENT AND COUNTRY.**



### Variable power-assisted steering warning light

It lights up when the ignition or the engine is switched on and goes off after a few seconds.

If it comes on while driving, alongside the warning light **STOP**, this means there is a system fault.

Contact an authorised dealer.



### Warning light

This lights up when the ignition or engine is switched on and goes out as soon as the engine is running. It can light up in conjunction with other warning lights and/or messages on the instrument panel.

It means you should **drive very carefully** to an approved dealer as soon as possible. If you fail to follow this recommendation, you risk damaging your vehicle.



### Toxic Fume Filter System Warning Light

On vehicles which are equipped with it, this light comes on when the engine is started and, depending on the vehicle, when the ignition is switched off if the vehicle is in the engine standby phase (refer to the information on the “Stop and Start Function” in section 2) then goes out.

- If it lights up continuously, consult your approved dealer as soon as possible;
- if it flashes, reduce the engine speed until the light stops flashing. Contact your approved Dealer as soon as possible.

Refer to the information on “Advice: antipollution, fuel economy and driving” in Section 2.



### Anti-lock braking warning light

It lights up when the ignition or the engine is switched on and goes off after a few seconds.

If it lights up when you are driving, it indicates a fault in the anti-lock braking system.

Braking will then be as normal, without the ABS. Contact an approved Dealer as soon as possible.



### Coolant temperature warning light

This lights up red when the ignition is switched on or the engine is started.

If it turns red, stop and let the engine idle for a minute or two.

The temperature should drop. Otherwise, stop the engine. Let the engine cool down before checking the coolant.

Contact an approved Dealer.

## WARNING LIGHTS (4/6)

The display of information shown below **DEPENDS ON THE VEHICLE EQUIPMENT AND COUNTRY.**



### **Preheating warning light (Diesel version)**

This should come on when the ignition is switched on. It indicates that the heater plugs are in operation.

It goes out when preheating is complete. The engine can be started.



### **Gear change indicator**

This lights up to advise you to change to a higher gear (up arrow) or lower gear (down arrow).

Please refer to the information on “Driving advice, Eco-driving” in Section 2.



### **Door(s) open warning light**



### **Air bag warning light**

This warning light will be displayed on the instrument panel when the ignition is switched on or the engine is started, and will then go out after a few seconds.

If it does not come on when the ignition is switched on, or comes on when the engine is running, there is a fault in the system.

Contact your approved Dealer as soon as possible.



### **Brake pedal warning light**

This lights up when the brake pedal should be depressed. Refer to the information on the “Automatic gearbox” in Section 2.

Please refer to the information on “Driving advice, Eco-driving” in Section 2.



### **Handbrake “on” and electronic parking brake warning light**

Refer to the information on the “Handbrake” and “Electronic parking brake” in Section 2.



### **Engine standby warning light**

Please see information in the paragraph on “Stop and Start Function” in Section 2.



### **Unavailability of engine standby warning light**

Please see information in the paragraph on “Stop and Start Function” in Section 2.



### **Speed limiter warning lights**

Refer to the information on the “Speed limiter” in Section 2.



### **Cruise control warning lights**

Refer to the information on “Cruise control” in Section 2.



### **Adaptive cruise control warning light**

Refer to the information on “Cruise control” in Section 2.

## WARNING LIGHTS (5/6)

The display of information shown below **DEPENDS ON THE VEHICLE EQUIPMENT AND COUNTRY.**



### **Tyre pressure monitoring system**

Refer to the information on the “Tyre pressure monitoring system” in Section 2.



### **Assisted parking brake fault light**

Please refer to the information on the “Assisted parking brake” in Section 2.



### **Emergency active brake assist**

Refer to the information on “Driving correction devices and aids” in Section 2.



### **Mode warning light ECO**

This comes on when ECO mode is activated.

Please refer to the information on “Eco-driving” in Section 2.



### **Free wheel warning light in mode ECO**

It lights up in mode ECO when the “Free wheel in mode ECO” is activated (ON) in the user settings.

The warning light colour is dim when the vehicle is not while freewheeling.

This warning light is bright when the vehicle is while freewheeling (automatic neutral).

Please refer to the information on “Driving advice, ECO-driving” in Section 2.



### **Warning light for reagent level and faults in the exhaust gas reduction system.**

Refer to the information on “Reagent tank” in Section 1.



### **Particle filter system warning light (petrol version)**

Refer to the “Special features of petrol versions” in Section 2.

## WARNING LIGHTS (6/6)

The display of information shown below **DEPENDS ON THE VEHICLE EQUIPMENT AND COUNTRY.**



On display C



### Passenger airbag ON

Please refer to the information on “Child safety: deactivating/activating the front passenger airbag” in Section 1.



### Passenger airbag OFF

Please refer to the information on “Child safety: deactivating/activating the front passenger airbag” in Section 1.




### Driver's seat belt reminder and, depending on the vehicle, front passenger seat belt reminder

This lights up when the ignition is switched on. If the driver's or front passenger's seat belt (if this seat is occupied) is not fastened as soon as the vehicle has reached approximately 12.4 mph (20 km/h), it flashes and a bleep sounds for around 120 seconds.

**Note:** an object placed on the passenger seat base can activate the warning light.

### Rear seat belt reminder (depending on vehicle)

Warning light  comes on, accompanied (depending on the vehicle) by a message indicating the number of fastened seat belts on the instrument panel for approximately 30 seconds, each time the vehicle is started, a door is opened or a rear seat belt is fastened/unfastened. Check that the rear passengers are wearing seat belts and that the number of seat belts shown as fastened corresponds to the number of rear seat places occupied.

## DISPLAYS AND INDICATORS (1/6)



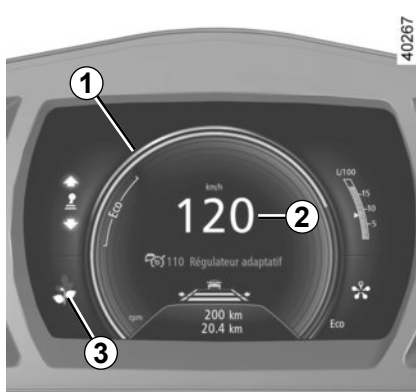
### Instrument panel A

lights up when the driver's door is opened. In some cases, the appearance of a warning light is accompanied by a message.

You can customise your instrument panel with the content and colours of your choice.

For vehicles fitted with a navigation system, refer to the handbook for the equipment.

For vehicles not fitted with a navigation system, refer to the information on "Vehicle settings customisation menu" in Section 1.



### Rev counter 1 (graduations x 1000)

### Speedometer 2

This is displayed differently according to how the instrument panel is customised.

### Overspeed buzzer

Depending on the vehicle and country, a buzzer sounds for approximately 10 seconds every 40 seconds, as long as the vehicle is travelling in excess of 72 mph (120 km/h).

### Driving style indicator 3

Please refer to the information on "Eco-driving" in Section 2.

### Trip computer and warning system

Refer to the information on the "Trip computer and warning system" in Section 1.

## DISPLAYS AND INDICATORS (2/6)

40672




### Coolant temperature indicator 4

In normal use, indicator 4 should be before area 5. Under “intensive” operating conditions, the needle may approach this zone. This is not serious unless the warning light **STOP** comes on accompanied by a message on the instrument panel and a beep.

40673



### Fuel gauge 6

If the level is at the minimum, warning light  integrated in the indicator comes on orange, accompanied by a beep. Fill up as soon as possible.

## DISPLAYS AND INDICATORS (3/6)



### Instrument panel **B**

lights up when the driver's door is opened. In some cases, the appearance of a warning light is accompanied by a message.



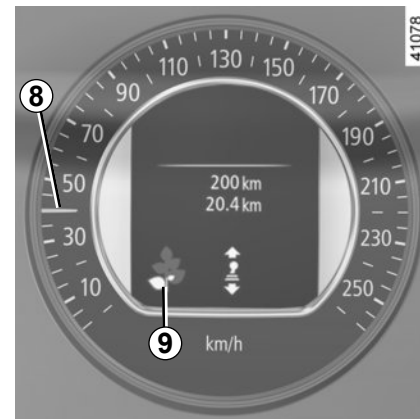
### Rev counter **7** (graduations x 1000)

### Speedometer **8**

This is displayed differently according to how the instrument panel is customised.

### Overspeed buzzer

Depending on the vehicle and country, a buzzer sounds for approximately 10 seconds every 40 seconds, as long as the vehicle is travelling in excess of 72 mph (120 km/h).



### Driving style indicator **9**

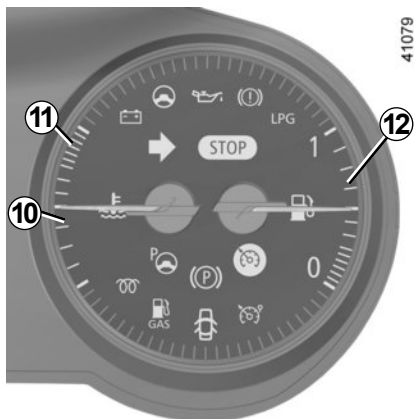
Please refer to the information on "Eco-driving" in Section 2.

### Trip computer and warning system

Refer to the information on the "Trip computer and warning system" in Section 1.




## DISPLAYS AND INDICATORS (4/6)

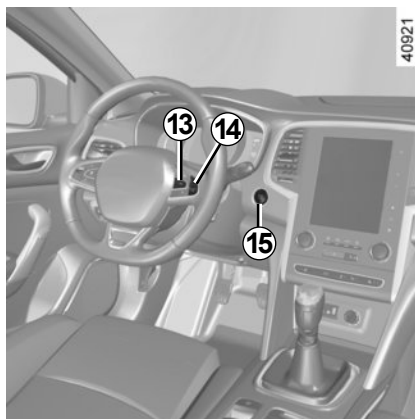


### Coolant temperature indicator 10

In normal use, the indicator **10** should be before the red zone **11**. Under “intensive” operating conditions, the needle may approach this zone. This is not serious unless the warning light **STOP** comes on accompanied by a message on the instrument panel and a beep.

### Fuel gauge 12

If the level is at the minimum, warning light  integrated in the indicator comes on orange, accompanied by a beep. Fill up as soon as possible.



### Engine oil level low warning

When the engine is started, the instrument panel display alerts you when the minimum oil level is reached. Refer to the information on the “Engine oil level” in Section 4.

The first time the warning appears, it can be cleared by pressing switch **13** “OK”.

Subsequent warnings will disappear automatically after around 30 seconds.

### Instrument panel in miles

(option to switch to km/h)

#### Vehicles not fitted with a multimedia system

- With the ignition off, press the **OK** button **13** and the engine start/stop button **15**;
- using control **14**, select “Settings”, “Instrument panel”, then the unit;
- Press the **OK** button **13** to confirm.

To return to the previous mode, repeat the same operation.

#### Vehicles fitted with a multimedia system

From the multimedia screen, select “System” then “Units”.

**Note:** In both cases, once the battery is switched off, the on-board computer automatically returns to the original unit of measurement.

## DISPLAYS AND INDICATORS (5/6)



### Head-up display 16

The display details driving and navigation information from the instrument panel and the multimedia screen.

If fitted to the vehicle, this comes on when the engine is started and is retracted when the engine is switched off.

Do not manually force the opening/closure of the head-up display.

You can adjust certain settings from the multimedia screen: with the engine running, access the menu “System”, “Display”, then “Head-up display”.

### Adjusting the display information height

Depending on your driving position, you can raise or lower the information on the display.

### Adjusting the display brightness

You can adjust the brightness (day or night mode)

- **automatically:** the brightness will vary depending on the outdoor light.
- **manually:** the brightness automatically switches with the activation/deactivation of the lights.

In both cases, the day mode varies based on the outdoor brightness.



For safety reasons, carry out any adjustments when the vehicle is stationary.

Good information visibility can be affected by:

- the seat position;
- the presence of an object placed on the opened display;
- the polarisation of some spectacle lenses;
- extreme weather conditions (rain, snow, very strong sunlight, etc.).



In the event of contradictory information between the instrument panel and the head-up display/multimedia screen, please refer to the information displayed on the instrument panel.

## DISPLAYS AND INDICATORS (6/6)

### Operating faults

In the event of a malfunction (the display fails to open when the engine is started, or the display retracts, with the engine running, following an object impacting the display):

- stop and restart the engine;

or

- from the multimedia screen, change the display opening settings.

If there is still a problem, contact an authorised dealer.

With the display opened or closed, no object should be placed on it or in its housing.

Do not use solvents, detergents or an abrasive cloth to clean the display.


Only use a microfibre wipe.

## TRIP COMPUTER: general information (1/2)



### On-board computer 1

Depending on the vehicle, this includes the following functions:

- distance travelled;
- journey parameters;
- information messages;
- operating fault messages (associated with the  warning light);
- warning messages (associated with the **STOP** warning light);

All these functions are described on the following pages.

### Display selection keys 2

Scroll through the following information by repeated short presses on button 2 (the display depends on the vehicle equipment and country):

- a) total mileage and trip mileage recorder;
- b) journey parameters:
  - average fuel consumption;
  - current fuel consumption;
  - estimated range with remaining fuel;
  - distance travelled;
  - average speed;
- c) current speed;
- d) distance before service;
- e) tyre pressure reset;
- f) trip log, operating faults and information message readout;
- g) Estimated range with remaining reagent.

## ON-BOARD COMPUTER: general information (2/2)



### Trip mileage resetting

With “trip mileage recorder” selected on the display, press key OK **3** until the mileage recorder resets to zero.

### Resetting the journey parameters (reset button)

with the display showing one of the trip settings, press key OK **3** until the display is reset to zero.

### Interpreting some of the values displayed after resetting

The values showing average fuel consumption and average speed will become more stable and reliable the further you have travelled since the last time the Reset button was pressed.

The average fuel consumption may decrease when:



- the vehicle stops accelerating;
- the engine reaches its operating temperature (if the engine was cold when the reset key was pressed);
- when driving from an urban area onto the open road.

### Automatic resetting of the journey parameters

Resetting occurs automatically when the maximum value of any of the parameters is exceeded.




## ON-BOARD COMPUTER: trip settings (1/5)

The display of information shown below **DEPENDS ON THE VEHICLE EQUIPMENT AND COUNTRY.**

Examples of selections	Interpreting the display selected
<p>101778 km 112.4 km</p>	<p>⇒ <b>a) Total mileage and trip mileage recorder.</b></p>
<p>Middle</p> <p> 5.8 L/100</p>	<p>⇒ <b>b) Journey parameters:</b> <b>Average fuel consumption.</b> The value is displayed after having travelled at least 400 metres since the last reset.</p>
<p>Current</p> <p> 7.4 L/100</p>	<p>⇒ <b>Current fuel consumption.</b> This value is displayed after a speed of approximately 20 mph (30 km/h) is reached.</p>

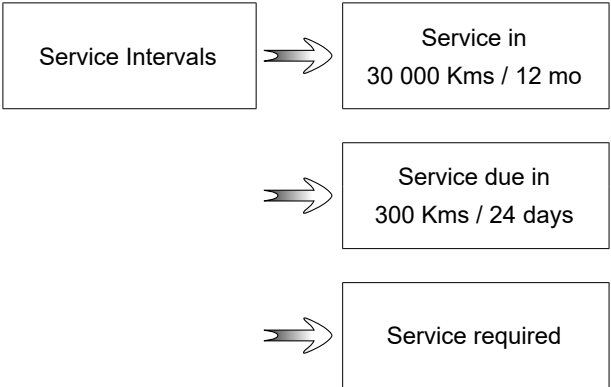

## ON-BOARD COMPUTER: trip settings (2/5)

The display of information shown below **DEPENDS ON THE VEHICLE EQUIPMENT AND COUNTRY.**

Examples of selections	Interpreting the display selected
<p>Range</p>  <p>541 km</p>	<p>⇒ <b>b) Journey parameters (continued):</b> <b>Estimated range with remaining fuel.</b> The value is displayed after driving 400 metres.</p>
<p>Distance</p>  <p>522 km</p>	<p>⇒ <b>Distance travelled</b> since last reset.</p>
<p>Middle</p>  <p>123.4 km/H</p>	<p>⇒ <b>Average speed</b> since the last reset. The value is displayed after driving 400 metres.</p>
<p>55.8 mph (90 km/h)</p>	<p>⇒ <b>c) Current speed.</b></p>

## ON-BOARD COMPUTER: trip settings (3/5)


The display of information shown below **DEPENDS ON THE VEHICLE EQUIPMENT AND COUNTRY.**

Examples of selections	Interpreting the display selected
On-board computer with mileage-before-service message	
 <p>Service Intervals</p> <p>Service in 30 000 Kms / 12 mo</p> <p>Service due in 300 Kms / 24 days</p> <p>Service required</p>	<p><b>d) Mileage before service or oil change.</b></p> <p><b>Mileage before service</b> <b>With the ignition switched on, the engine not running</b> and the display set to “Service Intervals”, press button <b>OK</b> for approximately 5 seconds to display the mileage before service (distance or time to the next service). When the distance value approaches its limit, there are several possible scenarios:</p> <ul style="list-style-type: none"><li>– range less than <b>930 miles (1,500 km)</b> or <b>one month</b>: the message “Service due in” is displayed accompanied by the nearest term (distance or time);</li><li>– range equal to <b>0 km/miles</b> or <b>service date reached</b>: the message “Service required” is displayed accompanied by warning light .</li></ul> <p>The vehicle requires a service as soon as possible.</p>
<p><b>Resetting:</b> to reset the distance before service, press and hold button <b>2</b> for approximately 10 seconds until the display shows the mileage permanently.</p> <p><b>Note:</b> If a service is performed without changing the engine oil, only the mileage before the next service should be reset. In the event of an oil change, both the distance before the next service and the next oil change should be reset.</p>	



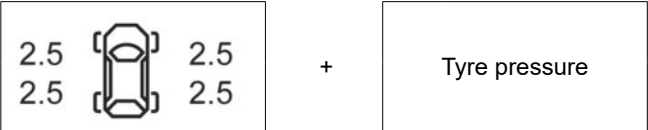
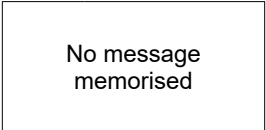
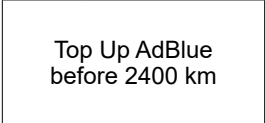
## TRIP COMPUTER: trip settings (4/5)

The display of information shown below **DEPENDS ON THE VEHICLE EQUIPMENT AND COUNTRY.**

Examples of selections	Interpreting the display selected
On-board computer with distance before next service message (cntd.)	
<p data-bbox="87 300 344 406">Service Intervals</p> <p data-bbox="349 333 420 372">➔</p> <p data-bbox="424 300 692 406">Oil change in 30 000 Kms / 24 mo</p> <p data-bbox="349 473 420 512">➔</p> <p data-bbox="424 440 692 546">Service due in 300 Kms / 24 days</p> <p data-bbox="349 613 420 652">➔</p> <p data-bbox="424 580 692 686">Service required</p>	<p data-bbox="715 272 1168 300"><b>d) Mileage before service or oil change.</b></p> <p data-bbox="745 300 1010 328"><b>Mileage before service</b></p> <p data-bbox="745 328 1425 484"><b>With the ignition on, the engine not running</b> and the display selected "Service Intervals", press button <b>OK</b> for about 5 seconds to display the mileage before the next service, then press button <b>2</b> to view the mileage before the next oil change (distance or time remaining before the next service). When the distance value approaches its limit, there are several possible scenarios:</p> <ul data-bbox="745 484 1425 647" style="list-style-type: none"><li>- range less than <b>930 miles (1,500 km)</b> or <b>one month</b>: the message "Service due in" is displayed accompanied by the nearest term (distance or time);</li><li>- range equal to <b>0 km/miles</b> or <b>service date reached</b>: the message "Service required" is displayed accompanied by warning light .</li></ul> <p data-bbox="745 647 1335 675">The vehicle requires an oil change as soon as possible.</p>
<p data-bbox="87 768 1425 846">Depending on the vehicle, the mileage before an oil change varies according to the driving style (frequent driving at low speed, door-to-door journeys, extensive use at idling speed, towing a trailer, etc.). The distance remaining until the next oil change can therefore decrease more quickly in some cases than the actual distance travelled.</p> <p data-bbox="87 857 1425 913"><b>Resetting:</b> to reset the mileage before a service, press and hold button <b>2</b> for approximately 10 seconds until the display shows the range permanently.</p> <p data-bbox="87 913 1425 969"><b>Note:</b> If a service is performed without changing the engine oil, only the mileage before the next service should be reset. In the event of an oil change, both the distance before the next service and the next oil change should be reset.</p>	

## ON-BOARD COMPUTER: trip settings (5/5)

The display of information shown below **DEPENDS ON THE VEHICLE EQUIPMENT AND COUNTRY.**


Examples of selections	Interpreting the display selected
 	<p><b>e) Reset the tyre pressure.</b></p> <p>➔ Refer to the information on the “Tyre pressure monitoring system” in Section 2.</p> <p><b>f) Trip log.</b></p> <p>➔ Successive display:</p> <ul style="list-style-type: none"><li>– information messages (passenger airbag OFF etc.);</li><li>– operating fault messages (Check injection system, etc.).</li></ul>
	<p><b>g) Estimated range with remaining reagent.</b></p> <p>➔ Refer to the information on “Reagent tank” in Section 1.</p>


## TRIP COMPUTER AND WARNING SYSTEM: information messages


These can help in the vehicle starting phase, or give information about a selection or a driving status. Examples of information messages are given in the following pages.

Examples of messages	Interpreting the display selected
<b>“Parking brake on”</b>	Indicates that the parking brake has been applied.
<b>“Checking control functions”</b>	Displayed with the ignition on when the vehicle is running self-diagnostics.
<b>“Turn steering wheel + START”</b>	Turn the steering wheel slightly whilst pressing the vehicle start button to unlock the steering column.
<b>“Steering wheel not locked”</b>	Indicates that the steering column has not been locked.

## TRIP COMPUTER AND WARNING SYSTEM: operating fault messages

These appear with the  warning light and mean that you should drive very carefully to an authorised dealer as soon as possible. If you fail to follow this recommendation, you risk damaging your vehicle.

They disappear when the display selection key is pressed or after several seconds and are stored in the computer log. The  warning light stays on. Examples of operating fault messages are given in the following pages.

Examples of messages	Interpreting the display selected
“Clean diesel filter”	Indicates the presence of water in the diesel filter; contact an approved Dealer as soon as possible.
“Check lighting”	Indicates a fault in the headlights.
“Check vehicle”	Indicates a fault in one of the pedal sensors, battery management system or oil level sensor.
“Check airbag”	Indicates a fault in the restraint system in addition to the seat belts. In the event of an accident, it is possible that they may not be triggered.
“Check antipollution system”	<ul style="list-style-type: none"><li>– Indicates a fault in the vehicle’s particle filter system.</li><li>– Indicates a fault in the emissions reduction system when it is accompanied by the  warning light. Refer to the information on “Reagent tank” in Section 1.</li></ul>

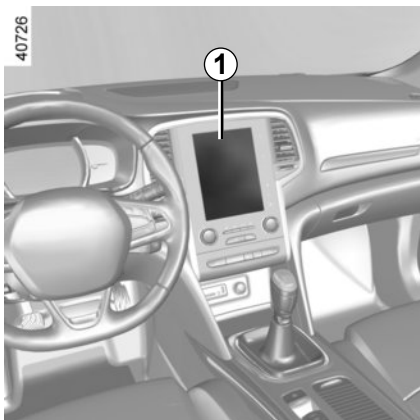
## TRIP COMPUTER AND WARNING SYSTEM: warning message

These appear with the **STOP** warning light and require you to stop immediately, for your own safety, as soon as traffic conditions allow. Stop your engine and do not restart it. Contact an approved Dealer.

Some examples of warning messages are given below. **Note:** the messages appear on the display either individually or alternately (when there are several messages to be displayed), and may be accompanied by a warning light and/or a beep.

Examples of messages	Interpreting the display selected
“Engine failure hazard”	Indicates an injection fault, the vehicle’s engine has overheated or there is a serious engine fault.
“Power steering fault”	Indicates a fault in the steering or a problem with the four-wheel drive.
“Braking system fault” or “Stop vehicle”	Indicates a fault in the braking system. Apply the electronic parking brake manually and ensure that the vehicle is immobilised using a chock.
“Electric failure DANGER”	Indicates a fault in the vehicle battery charging circuit (alternator etc.).
“Puncture”	Indicates a puncture on the tyre displayed on the instrument panel.

## VEHICLE SETTINGS CUSTOMISATION MENU (1/2)



Depending on the vehicle equipment, this function allows you to activate/deactivate and adjust some of the vehicle's functions.

### Vehicles fitted with a multimedia system

#### Accessing the settings menu

With the vehicle at a standstill, using the multimedia screen **1**, select "Vehicle", "User settings" to access the various settings.

### Adjusting the settings

Select the function to modify:

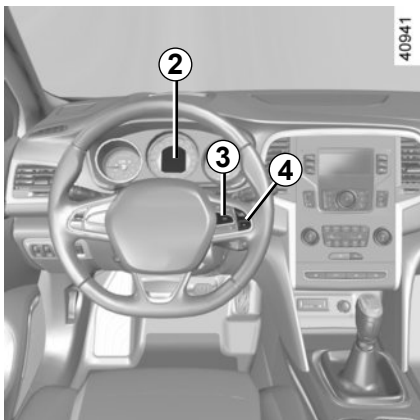
- a) Free wheel in ECO mode;  
(please refer to the information on "Driving advice, ECO-driving" in Section 2)
- b) Auto door lock while driving;
- c) Use handsfree card: open/close;
- d) Indicator sound volume;
- e) Internal welcome sound;
- f) External welcome;
- g) Automatic Cabin Light;
- h) Rear wiper when rear gear engaged;
- i) Driving style indicator.

Depending on the function, select "ON" or "OFF" to activate or disable it, and "+" or "-" to adjust the volume of the indicators.



For safety reasons, carry out any adjustments when the vehicle is stationary.

## VEHICLE SETTINGS CUSTOMISATION MENU (2/2)



### Vehicles not fitted with a multimedia system

#### Accessing the settings menu on display 2

With the vehicle at a standstill, press and hold the switch **3 OK** to access the settings menu.

#### Adjusting the settings

Browse using the control **4** to select the function to adjust:


- a) Free wheel in ECO mode; (please refer to the information on “Driving advice, ECO-driving” in Section 2)
- b) Auto door lock while driving;
- c) Unlock driver door only;
- d) Rear wiper when rear gear engaged;
- e) Front park assist;
- f) Automatic main beam lights;
- g) Lane departure warning : VOLUME;
- h) Lane departure warning : Sensitivity;
- i) Rear park assist;
- j) PARKING ASSIST VOLUME;
- k) LANGUAGE;
- l) Units;
- m) Style;
- n) Colour.

function activated

function deactivated

Once a line has been selected, press the switch **3 OK** to adjust the function.

If you select either “PARKING ASSIST VOLUME” or “LANGUAGE”, you will have to make a further selection (sound volume of the parking distance control or instrument panel language). In this case, make your selection and confirm it by holding the switch **3 OK** – the

selected value is shown by a  in front of the line.

To exit the menu, press the control **4** upwards or downwards. It may be necessary to carry out this operation several times.

For further explanations of the Free wheel in ECO mode function refer to the information on “Driving Advice, ECO driving” in section 2.

The vehicle settings personalisation menu cannot be used when driving. At speed exceeding 12 mph (20 km/h), the instrumental panel display switches automatically back to trip computer and warning system mode.

# POWER-ASSISTED STEERING

## Power-assisted steering

### Variable power-assisted steering

The variable power assisted steering system is equipped with an electronic control system which alters the level of assistance to suit the vehicle speed.

Steering is made easier during parking manoeuvres (for added comfort) while the force needed to steer increases progressively as the speed rises (for enhanced safety at high speeds).

### Special feature of Stop and Start

Depending on the vehicle, when the engine switches to standby, the steering assistance may no longer be operational. In this case it returns to its original state when the engine is restarted or when the speed moves above 0.62 mph (1 km/h) (hill, slope, etc.).

Never leave the steering wheel at full lock while stationary.

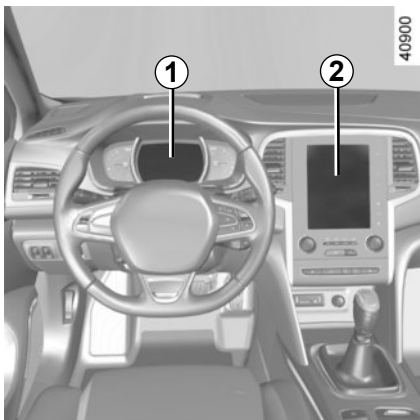
With the engine switched off, or if there is a system fault, it is still possible to turn the steering wheel. The force required will be greater.



Do not switch off the engine when driving downhill and, as a general rule, when driving (the power-assisted steering and brake cannot operate normally).



# CLOCK AND EXTERIOR TEMPERATURE



**The time and/or external temperature are displayed on the multifunction screen 2**

Refer to the handbook for the equipment.

## External temperature indicator

### Special note:

When the exterior temperature is between  $-3\text{ }^{\circ}\text{C}$  and  $+3\text{ }^{\circ}\text{C}$ , the characters  $^{\circ}\text{C}$  flash and the message “Risk of black ice” is displayed on the instrument panel 1.



### External temperature indicator

As ice formation is related to climatic exposure, local air humidity and temperature, the external temperature alone is not sufficient to detect ice.

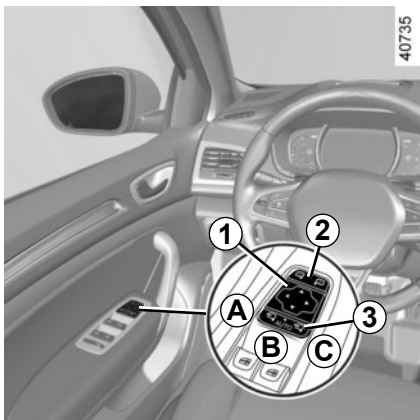
In the event of a break in the electric power supply (battery disconnected, cut feed wire, etc.), depending on the vehicle:

- the clock is reset automatically after a few minutes as soon as the system is able to receive the GPS information.

or

- the clock must be reset. We recommend that you do not adjust these settings while driving.

## REAR VIEW MIRRORS (1/2)



### Exterior rear view mirrors

#### Adjustment

Select the door mirror using switch **2**, then use button **1** to adjust it to the desired position.

#### Heated door mirrors

Mirror de-icing is carried out at the same time as rear screen de-icing.

Please refer to the “Manual air conditioning” and “Automatic climate control” paragraphs.

### Folding rear view mirrors

The door mirrors automatically fold in when the vehicle is locked (switch **3** in position **B**).

In any case, you can make the door mirrors fold in (switch **3** in position **C**) or fold out (switch **3** in position **A**).

Automatic mode is then deactivated. To reactivate it, position switch **3** to **B**.

### Welcome and goodbye function (depending on vehicle)

From the multimedia screen, select the “Vehicle” menu, then “User settings”, “External welcome” and activate or deactivate the function (ON or OFF).

Depending on the selected choice, the door mirrors will fold out:

- when the ignition is next switched on (function deactivated);
- upon detecting the RENAULT card or upon unlocking the vehicle (function activated).



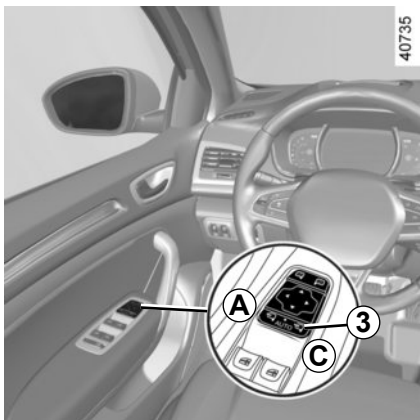
Objects observed in the door mirror glass are actually closer than they appear.

For your safety, take this into account in order to correctly assess the distance before any manoeuvre.



For safety reasons, carry out any adjustments when the vehicle is not being driven.

## REAR VIEW MIRRORS (2/2)



### Special feature:

When the rear-view mirror has been manually deployed or folded back, it is possible to reset it to a usage position. To do this, position the switch **3** to **C**. A mechanical noise from the rear-view mirror unit will be heard.

If it is not the case, place switch **3** to **A** and then place switch **3** to **C** until the mechanical noise of the rear-view mirror is heard.



### Interior rear view mirror

#### Rear view mirror with lever 4

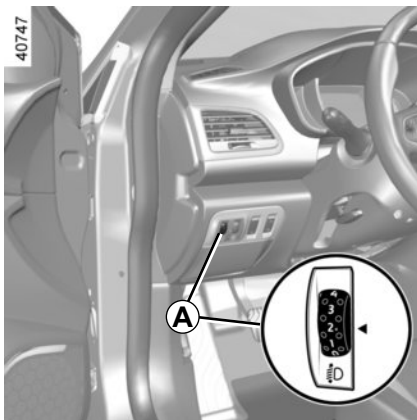
When driving at night, to avoid being dazzled by the headlights of the vehicle behind, depress the little lever located behind rear view mirror **4**.

#### Rear view mirror without lever 4

The rear-view mirror automatically darkens when you are being followed by a vehicle using main beam headlights or in very bright lighting.

Information regarding the activation and deactivation of the front passenger airbag is displayed on the interior rear view mirror (please refer to the information on "Child safety: front passenger airbag deactivation/activation" in Section 1).

# HEADLIGHT BEAM ADJUSTMENT (1/2)



On vehicles fitted with this function, control **A** allows you to adjust the height of the beams according to the load.

Turn control **A** downwards to lower the headlights and upwards to raise them.

For vehicles not fitted with a control **A**, the headlight adjustment is automatic, depending on the vehicle load.

## Halogen bulb versions

	Examples of positions for adjusting control <b>A</b> according to the load		
	5 doors	Estate	4 doors
<b>Driver alone or with front passenger</b>	0	0	0
<b>All seats occupied</b>	1 or 2	1	1
<b>Driver with passengers and luggage (or load) reaching the maximum permissible all-up weight</b>	2 or 3 or 4*	2 or 3*	3
<b>Driver without passengers and luggage (or load) reaching the maximum permissible all-up weight</b>	4	3 or 4*	4

\* depending on the vehicle

The table below gives some examples. In all cases, adjust control **A** according to the vehicle load so that the road can be seen and other drivers are not dazzled.

## HEADLIGHT BEAM ADJUSTMENT (2/2)

### LED versions

	Examples of positions for adjusting control <b>A</b> according to the load		
	5 doors	Estate	4 doors
Driver alone or with front passenger	0	0	0
All seats occupied	1	1	1
Driver with passengers and luggage (or load) reaching the maximum permissible all-up weight	2 or 3*	2 or 3*	3
Driver without passengers and luggage (or load) reaching the maximum permissible all-up weight	3 or 4*	3	3 or 4*

\* depending on the vehicle

The table below gives some examples. In all cases, adjust control **A** according to the vehicle load so that the road can be seen and other drivers are not dazzled.

## EXTERIOR LIGHTING AND SIGNALS (1/6)



### Side lights

Turn ring **3** until the symbol is opposite mark **2**. This indicator light on the instrument panel comes on.



Before driving at night: check that the electrical equipment is operating correctly. As a general precaution, check that the lights are not obscured (by dirt, mud, snow or objects being transported).

40004



### Main beam headlights

With the dipped beam headlights lit, push stalk **1**. This indicator light on the instrument panel comes on.

To return to the dipped headlight position, pull the stalk **1** towards you again.

In mode AUTO, with the main beam headlights on, you can still return to dipped beam by pulling stalk 1 towards you.



### Dipped beam headlights

#### Manual operation

Turn ring **3** until the symbol is opposite mark **2**. This indicator light on the instrument panel comes on.

#### Automatic operation

Turn the ring **3** until the **AUTO** symbol is opposite the mark **2**: with the engine running, the dipped beam headlights switch on or off automatically depending on the brightness of the light outside, without any action on stalk **1**.

When driving on the left in a left-hand drive vehicle (or vice versa), drivers must readjust their lights throughout their stay (see “Adjusting headlight beams” in Section 1).

## EXTERIOR LIGHTING AND SIGNALS (2/6)



### Automatic main beam headlights

Depending on the vehicle, this system switches the main beam headlights on and off automatically. The function uses a camera located behind the interior rear-view mirror to detect vehicles that are following and coming in the opposite direction.

The main beam headlights come on automatically if:

- exterior light is weak;
- no other vehicles or lighting are detected;
- the vehicle speed is above approximately 25 mph (40 km/h).

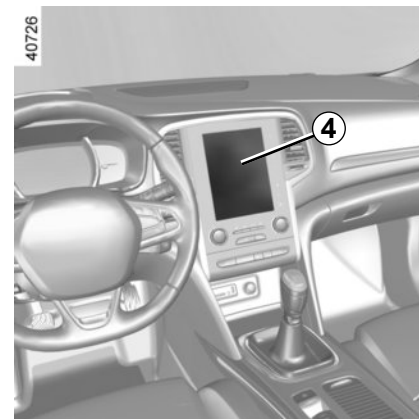
If any of the above conditions are not fulfilled, the system switches to dipped beam headlights.



The “automatic main beam headlights” system should under no circumstances be used to replace driver attention and responsibility with regard to vehicle lighting and adapting to light, visibility and traffic conditions.

The system may encounter difficulties under certain conditions, including:

- extreme weather conditions (rain, snow, fog, etc.);
- obstruction in front of the windscreen or camera;
- when a following or oncoming vehicle has weak or hidden lighting;
- incorrect settings for the front headlights;
- reflective systems;
- ...

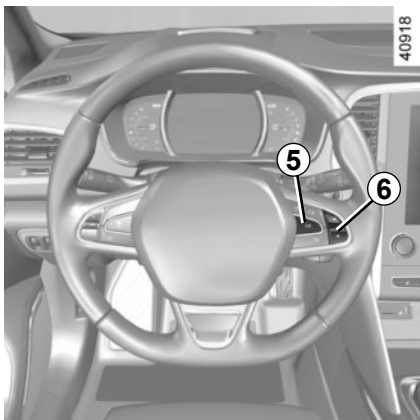


### Switching on

#### Vehicles fitted with a multimedia system

From the multimedia screen **4**, select the “Vehicle” menu, “Driving assistance”, “Automatic main beam lights” then choose “**ON**” or “**OFF**”.

## EXTERIOR LIGHTING AND SIGNALS (3/6)



### Vehicles not fitted with a multimedia system

- With the vehicle at a standstill, press and hold the switch **5 OK** to access the settings menu;
- repeatedly press the control **6** up or down until you reach the “Driving assistance” menu. Press the switch **5 OK**;

– repeatedly press the control **6** up or down until you reach the Automatic main beam lights menu, then press the switch **5 OK**.

– press the switch **5 OK** again to activate or deactivate the function:

### Activation/deactivation

#### To activate automatic main beam headlights:

- turn the ring **3** until the **AUTO** symbol is opposite the mark **2**.
- push the stalk **1**.

Warning light  comes on the instrument panel.



#### To deactivate automatic main beam headlights:

- pull the stalk **1** towards you;
- or turn the ring **3** to a position other than **AUTO**;

Warning light  goes out on the instrument panel.

**Note:** make sure the windscreen is not obscured (dirt, mud, snow, condensation etc.).



## EXTERIOR LIGHTING AND SIGNALS (4/6)



### Automatic main beam headlights (continued)

#### Operating faults

When the message “Check auto lighting” appears on the instrument panel, the system is deactivated. Consult an approved dealer.



Using the portable navigation system at night in the windscreen area below the camera may disturb the operation of the “automatic main beam headlights” system (risk of reflection on the windscreen).

40004



#### Daytime running lights function

The daytime running lights come on automatically with no action on stalk **1** when the engine is started, and they go off once the engine is switched off.

#### Operating faults

When the message “Check lighting” with warning light  is displayed and warning light  flashes on the instrument panel, this indicates that there is a lighting fault. Consult an approved dealer.

#### Switching off the lights

There are two possibilities:

- manually, move ring **3** to position **0**;
- automatically, the lights will go out when the engine is switched off, the driver's door is opened or the vehicle is locked. In this case, the next time the engine is started the lights will be switched back on according to the position of the ring **3**.

#### Lights-on reminder buzzer

A warning beep sounds when the driver's door is opened to warn you that the lights are still on.

## EXTERIOR LIGHTING AND SIGNALS (5/6)

### “See-me-home lighting” function

This function allows you to briefly switch on the dipped beam headlights (to provide light when opening a gate, etc.).

**With the engine and lights switched off and the ring 3 in position 0 or AUTO**, pull the stalk **1** towards you: the dipped beam headlights come on for approximately thirty seconds. To increase this duration, you may pull the stalk up to four times (total time restricted to two minutes). The message “Follow-me home for \_\_ \_” along with the time the lights will be on for is displayed on the instrument panel to confirm this action. You can then lock your vehicle.

To switch off the lights before they go out automatically, turn ring **3** to any position, then return it to the **AUTO** position .

### Welcome and goodbye function

(depending on the vehicle)

Once the function is activated, the daytime running lights and the rear side light light up automatically upon detecting the RENAULT card or when the vehicle is unlocked.

They switch off automatically:

- approximately one minute after lighting up;
  - when starting the engine based on the position of the lighting stalk;
- or
- upon locking the vehicle.

### Welcome lighting under the door mirrors

With the function activated, the lights located under the door mirrors come on automatically upon detection of the RENAULT card, upon unlocking the vehicle or when opening a door.

They switch off automatically:

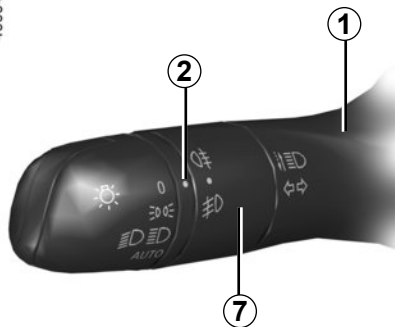
- approximately one minute after lighting up;
  - upon starting the engine;
- or
- upon locking the vehicle.

### Activating/deactivating the function

From the multimedia screen, select “Vehicle”, “User settings”, “External welcome”. Choose “**ON**” or “**OFF**” to activate or deactivate the function.

## EXTERIOR LIGHTING AND SIGNALS (6/6)

40004



### Front fog lights

Turn centre ring **4** on stalk **1** until the symbol faces mark **2**, then release it.

Operation of the fog lights depends on the exterior lighting position selected, and an indicator light will light up on the instrument panel.

### Rear fog lights

Turn centre ring **7** on the stalk until the symbol faces mark **2**, then release it.

Operation of the fog lights depends on the exterior lighting selected, and an indicator light will light up on the instrument panel.

Do not forget to switch off the fog lights when they are no longer needed, to avoid inconveniencing other road users.

### Switching off the lights

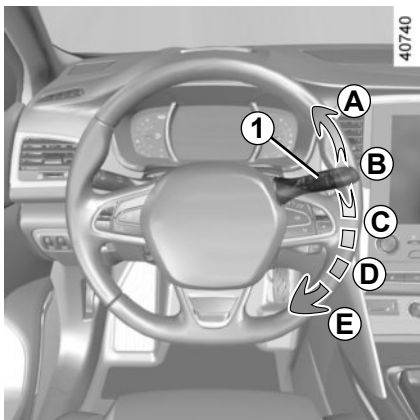
Turn the ring **7** again until the mark **2** is opposite the symbol for the fog light that you wish to switch off. The corresponding indicator light on the instrument panel goes out.

The fog lights switch off when the exterior lights are switched off.

When driving in fog or snow, or when transporting objects which are higher than the roof, the headlights do not come on automatically.

Switching on the fog lights remains the responsibility of the driver: the indicator lights on the instrument panel inform you whether the fog lights are lit (indicator light on) or not (indicator light not on).

# WINDSCREEN WASH, WIPE (1/6)



## Vehicle fitted with intermittent windscreen wipers

### A single sweep

A short push will trigger one sweep of the wipers.

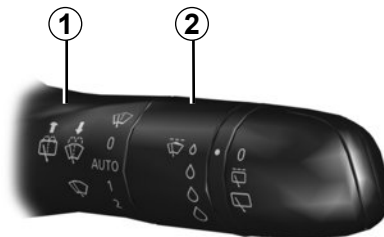
### B stop

### C intermittent wiping

The wipers will pause for several seconds between sweeps. It is possible to change the time between sweeps by turning ring 2.

### D slow continuous wiping

### E fast continuous wiping



## Special note

**When driving the vehicle**, the wiping speed slows down whenever the vehicle stops. For example, fast wiping speed will slow to normal wiping speed. As soon as the vehicle moves off, wiping will return to the speed originally selected.

If stalk 1 is operated, it overrides and cancels the automatic function.

Positions **A**, **C** and **D** are accessible with the ignition on. Position **E** is accessible only when the engine is running.

## Efficiency of a wiper blade

Check the condition of the wiper blades. How long they last depends on you:

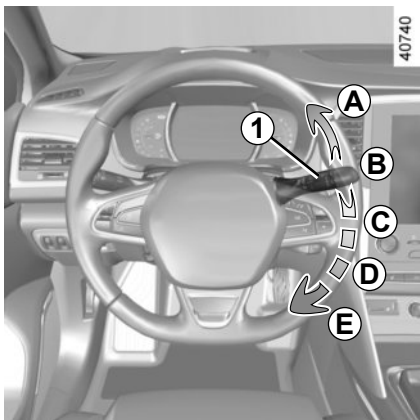
- it must remain clean: clean the blade and the screen regularly with soapy water;
- do not use it when the screen is dry;
- free it from the screen when it has not been used for a long time.

In all cases, replace it as soon as it begins to lose efficiency: approximately once a year. Refer to the “Wiper blades: replacement” paragraph in Section 5.

## Precaution for using the wipers

- in freezing or snowy weather, clear the screen before starting the wipers (risk of motor overheating);
- ensure that no objects are obstructing the travel of the blade.

## WINDSCREEN WASH, WIPE (2/6)



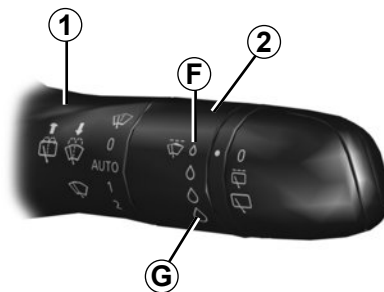
### Vehicle fitted with front windscreen wiper rain sensor

The rain sensor is located on the windscreen, in front of the interior rear-view mirror.

#### A single sweep

A short push will trigger one sweep of the wipers.

#### B stop



### C automatic wiper function

When this position is selected, the system detects water on the windscreen and triggers the wipers at a suitable wiping speed. It is possible to change the triggering threshold and the time sweeps by turning ring 2:

- **F**: minimum sensitivity
- **G**: maximum sensitivity

The higher the sensitivity, the quicker the wipers will react and the faster the wipe.

When activating automatic wiping or when increasing sensitivity, one sweep of the blades is performed.

#### Note:

- the rain sensor is only intended as a driving aid. In the event of reduced visibility, the driver should manually activate the wipers. In foggy weather or during snowfalls, wiping is not automatically triggered and remains under the driver's control;
- in the event of temperatures below zero, automatic wiping is not activated when the vehicle is started. It is automatically activated as soon as the vehicle exceeds a certain speed (approximately 5 mph (8 km/h));
- do not activate automatic wiping in dry weather;
- fully de-ice the windscreen before activating automatic wiping.

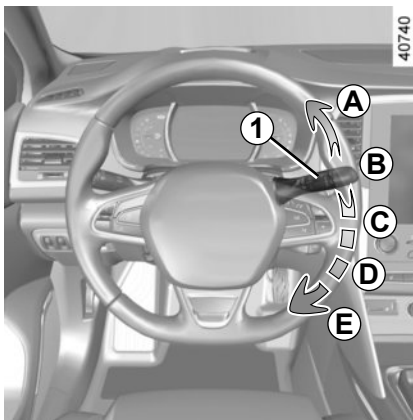
## WINDSCREEN WASH, WIPE (3/6)

### Operating fault

In the event of a malfunction of the automatic wiping, the wiper is set to intermittent wiping. Contact an authorised dealer.

The operation of the rain sensor can be disturbed in the event of:

- damaged wiper blades; a screen of water or traces left by a blade in the sensor's detection zone may increase the response time of the automatic wiper, or increase the wiping frequency;
- a windscreen with any chip or crack level with the sensor, or a windscreen covered in dust, dirt, insects, ice, the use of washing wax and water-repellent chemicals; the automatic wiping will be less sensitive, or even unresponsive.



**D** slow continuous wiping

**E** fast continuous wiping

Positions **A** and **D** are accessible with the ignition on. Positions **C** and **E** are accessible only with the engine running.

### Special note

**When driving the vehicle**, the wiping speed slows down whenever the vehicle stops. For example, fast wiping speed will slow to normal wiping speed. As soon as the vehicle moves off, wiping will return to the speed originally selected.

If stalk **1** is operated, it overrides and cancels the automatic function.

### Precautions

- In the event of ice, check whether the blades are stuck to the windscreen before operating the wiping mechanism. If you activate the wipers while the blades are stuck down with ice, you may risk damaging both the blade and the wiper motor.
- Do not activate the wipers on a dry screen. This will lead to the premature wear or damage to the blades.

## WINDSCREEN WASH, WIPE (4/6)

### Specific front wiper position (service position)

This position enables the blades to be lifted to remove them from the windscreen.

It may be useful to:

- to clean the blades;
- to release the blades from the windscreen in winter;
- replace the blades (refer to the “Wiper blades: replacement” paragraph in Section 5).

With the ignition on and the engine off, lower the windscreen wiper stalk fully (fast continuous wipe position). The wiper arms stop in a position away from the bonnet.

To return the blades to position, make sure they have been placed on the windscreen, then move the stalk to position **B** (stop) with the ignition on.

Before switching on the ignition, place the wipers on the windscreen. Otherwise, there may a risk of damage to the bonnet or the wipers when they are switched on.

**Note:** after replacement, to reposition the blades correctly, make sure the blades are resting on the windscreen, switch on the ignition and activate the wiper control.

In the event of obstacles on the windscreen (dirt, snow, ice etc.), clean the windscreen (including the central area located behind the interior rear view mirror) before starting the wipers (risk of motor overheating).

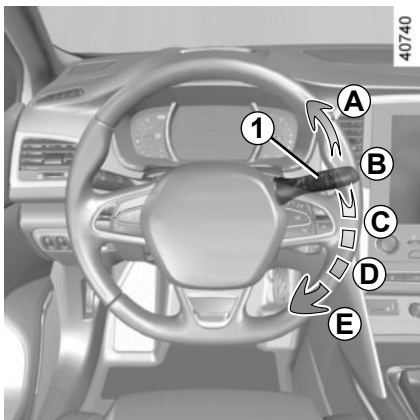
If an object is preventing a blade from moving, it may stop functioning. Remove the obstacle and reactivate the wiper using the wiper stalk.



Before any action involving the windscreen (washing the vehicle, de-icing, cleaning the windscreen, etc.) return stalk **1** to position **B** (stop).

**Risk of injury and/or damage.**

## WINDSCREEN WASH, WIPE (5/6)



### Windscreen washer

With the ignition on, pull stalk **1** then release.

A brief pull will trigger a single sweep of the wipers, in addition to the windscreen washer.

A longer pull will trigger three sweeps of the wipers followed, a few seconds later, by a fourth, in addition to the windscreen washer.

**Note:** in temperatures below zero, the washer liquid may freeze on the windscreen, reducing visibility. Heat the windscreen using the demister control before cleaning.

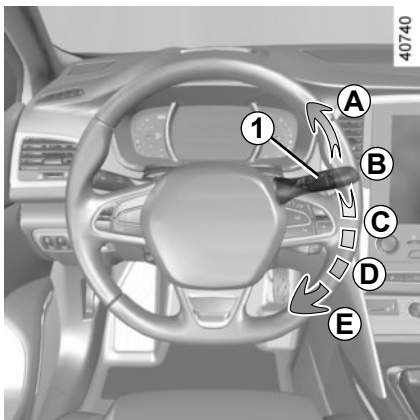


When working in the engine compartment, ensure that the windscreen wiper stalk is in position **B** (stop).

**Risk of injury.**



## WINDSCREEN WASH, WIPE (6/6)



### Headlight washers

#### Headlights on

On equipped vehicles, hold stalk **1** pulled towards you for about 2 seconds - the headlight washers and windscreen washers will be activated at the same time.

The headlight washers are also activated after three prolonged movements on the front windscreen washer control.

**Note:** to ensure the headlight washers operate correctly in winter, remove snow from the jet trims and de-ice the jet trims using an aerosol de-icer.

You are recommended to regularly remove dirt encrusted on the headlight glass.

When the minimum windscreen washer fluid level is reached, the headlight washer system may be deprimed.

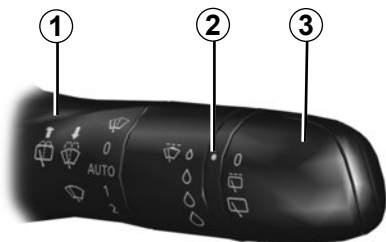
Fill the windscreen washer fluid and then activate the windscreen washer, **with the engine running**, to reprime the system.



When working in the engine compartment, ensure that the windscreen wiper stalk is in position **B** (stop).

**Risk of injury.**

## REAR SCREEN WASH, WIPE (1/2)



### Rear screen wiper

With the ignition on, turn ring **3** on stalk **1** to align the symbol with mark **2**.

- **stop;**
- **intermittent wiping.**  
The blade will pause for several seconds between sweeps. Wiping frequency varies with vehicle speed;
- **slow continuous wiping.**

To stop the operation, pivot ring **3** again.

**Note:** when washing using a roller type car wash, return the ring **3** on the stalk **1** to the stop position to deactivate automatic wiping.  
Follow usage recommendations.

Do not use the wiper arm to open or close the tailgate.



Before any action involving the rear screen (washing the vehicle, de-icing, cleaning, etc.) return stalk **1** to the stop position.

**Risk of injury and/or damage.**

### Efficiency of a wiper blade

Check the condition of the wiper blades. How long they last depends on you:

- it must remain clean: clean the blade and the screen regularly with soapy water;
- do not use it when the screen is dry;
- free it from the screen when it has not been used for a long time.

In any event, replace them as soon as they begin to lose efficiency: approximately every year (refer to the information on "Wiper blades: replacement" in Section 5).

### Precautions for using the wipers

- In freezing or snowy weather, clear the screen before starting the wipers (risk of motor overheating);
- ensure that no objects are obstructing the travel of the blade.

## REAR SCREEN WASH, WIPE (2/2)

### Activation/deactivation of the rear screen wiper

Engaging reverse gear triggers intermittent wiping (if the front wipers are in operation). If your vehicle is fitted with a vehicle settings customisation menu, you can opt to activate or deactivate this function. To do this, refer to the information on the “Vehicle settings customisation menu” in Section 1; “Rear wiping in reverse gear”.

For vehicles not fitted with a settings customisation menu, you can have this function deactivated by an authorised dealer.

In the event of obstacles present on the rear window (dirt, snow, etc.), the wiper will try to sweep away all the obstacles. If an obstacle prevents the blade from moving, it can be stopped. Remove the obstacle, wait for around 30 seconds and reactivate the wiper using the wiper stalk.

### Precautions

- In the event of ice, check that the blades are not stuck to the windscreen before operating the wipers. If you activate the wiper while the blade is blocked by ice, you risk damaging both the blade and the wiping motor.
- Do not operate the wipers on a dry screen. This will lead to the premature wear or damage to the blades.



40738

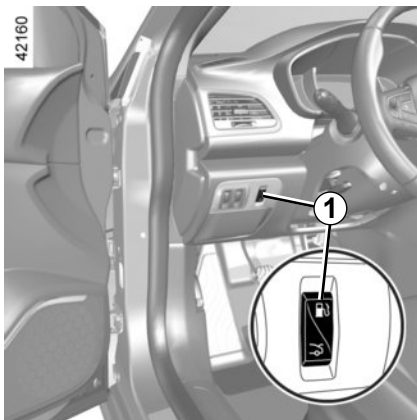


### Rear screen wash/wipe

With the ignition on, push and hold stalk **1**, then release.

A longer action will trigger three sweeps of the wipers followed, a few seconds later, by a fourth, in addition to the windscreen washer.

## FUEL TANK (1/3)

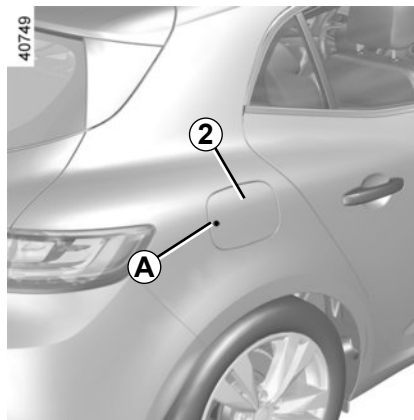


### Useable tank capacity:

- About **11 gallons (50 litres)** for petrol versions;
- about **10.78 gallons (49 litres)** for four door diesel versions;
- about **9.90 gallons (45 litres)** for five-door and estate diesel versions.

With the vehicle unlocked, to open cover **2**, press area **A** then release or, depending on the vehicle, press the control on the dashboard **1**. The cover **2** opens.

Valve **3** is integrated into the filler pipe.



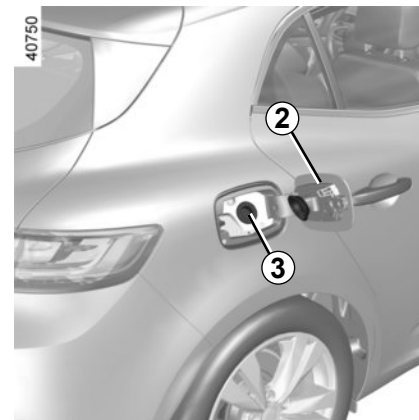
For details on filling the fuel tank, refer to the information on “Filling with fuel”.

To close it, press on the fuel filler flap by hand, as far as it will go.



**Never** press valve **3** with your fingers.

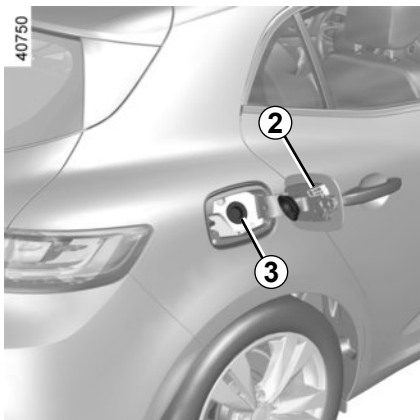
Do not wash the filler area with a high-pressure washer.



### Fuel grade

**Use a high-grade fuel** that complies with the legislation in force in each country and which **must** comply with the specifications given on the label on the cover **2**. Refer to the information on “Engine specifications” in Section 6.

## FUEL TANK (2/3)



### Diesel versions

It is **essential** to use diesel fuel that conforms with the information given on the label inside cover **2**.

### Petrol versions

It is **essential** to use unleaded petrol. The octane rating (RON) must comply with the information given on the label on the cover **2**. Refer to the information on engine specifications in Section 6.

### Filling with fuel

With the ignition off, insert the nozzle to open valve **3** and insert it **fully** before turning it on to fill the fuel tank (risk of splashing).

Keep the nozzle in this position throughout the entire filling operation.

When the pump cuts out automatically at the end of the filling procedure, a maximum of two further filling attempts may be made, as there must be sufficient space in the fuel tank to allow for expansion.

Make sure that no water enters the fuel tank during filling. The valve **3** and its surround must remain clean.

### Petrol versions

Using leaded petrol will damage the antipollution system and may lead to a loss of warranty. To ensure that the fuel tank is not filled with leaded petrol, the fuel tank filler neck consists of a restrictor fitted with a safety system which **only allows a nozzle for unleaded petrol to be used** (at the pump).

### Vehicle fitted with the Stop and Start function

To fill up with fuel, the engine must be stopped (and not on standby): stop the engine (Please See "Starting, stopping the engine" in Section 2).

Fuel types that conform to European standards with which the engines of vehicles sold in Europe are compatible: refer to the "Engine specifications" in section 6.



Do not mix even small amounts of petrol (unleaded or E85) with diesel.

Do not use ethanol-based fuel if your vehicle is not compatible with this fuel.

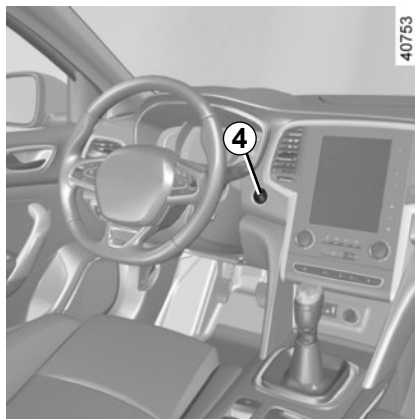
Do not add **anything** to the fuel (additive, reagent, etc.) to prevent the risk of damaging the engine.

## FUEL TANK (3/3)

### Running out of fuel on diesel versions

#### Vehicles with key/remote control

- Put the ignition key in the "ON" 2 position (please see the information on the "Ignition switch" in Section 2) and wait for a few minutes before starting, to enable the fuel circuit to be primed;
- turn the key to position "START"3. If the engine does not start, repeat the procedure.
- If the engine does not start after several attempts, please contact an authorised dealer.



#### Vehicles with RENAULT card

With the card **RENAULT** in the passenger compartment, press the start button **4** without pressing any of the pedals. Wait a few minutes before starting. This will enable the fuel circuit to be primed. If the engine does not start, repeat the procedure.

If the engine does not start after several attempts, please contact an authorised dealer.



No modifications whatsoever are permitted on any part of the fuel supply system (electronic units, wiring, fuel circuit, injectors, protective covers, etc.) as this may be dangerous (unless undertaken by qualified Network personnel).



#### Persistent smell of fuel

If you notice a persistent smell of fuel you should:

- stop the vehicle as soon as traffic conditions allow and switch off the ignition;
- switch on the hazard warning lights and ask your passengers to leave the vehicle and to keep away from traffic;
- contact an approved Dealer.

## REAGENT TANK (1/4)

Please ensure that you comply with the legislation of your country.

It is important to remember that failure to respect regulations in force could lead to legal action being taken against the vehicle owner.

### Operating principle

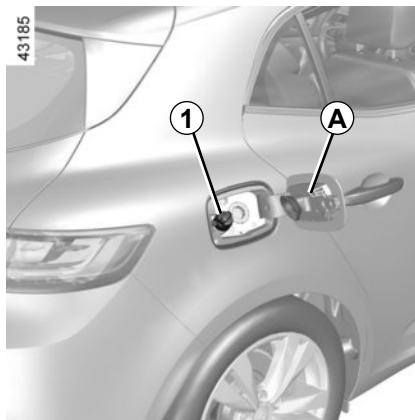
The reagent is intended for diesel engines fitted with the SCR (selective catalytic reduction) system.

The use of reagents reduces exhaust emissions by transforming the pollutants into water vapour and nitrogen.

Reagent consumption in real time depends on vehicle usage conditions, the equipment fitted, and driving style.

### Reagent quality

Use **only reagents which conform to standard ISO 22241** and in accordance with the mark on the tank filler cap.



### Filling

**Capacity of the tank: 3.52 gal (16 litres)** approximately.

With the ignition switched off, open the cover **A**, then unscrew the cap **1**.

**Note:** Ammonium hydroxide vapour may escape from the cap opening when the tank temperature is high.

### Vehicle fitted with the Stop and Start function

To fill up with reagent, the engine must be stopped (and not on standby); stop the engine (please see “Starting, stopping the engine” in Section 2).



If the “XXX MILES (XXX KM) Failure Top up AdBlue” warning message appears, fill the reagent tank and refer to the filling instructions.

**Risk of immobilisation of the vehicle.**



### Filler cap: this is specific.

If you have to replace it, make sure it is identical to the original cap. Contact an approved Dealer. Do not wash the filler area with a high pressure washer.

## REAGENT TANK (2/4)

### Precautions for use

The tank can be filled at the pump. In other cases, it is essential to read the information shown on the reagent container (e.g. the can or bottle).

When filling, **handle the reagent carefully. They can damage clothes, shoes, bodywork components etc.**

If the reagent overflows, or contaminates any paintwork, clean the affected area quickly with plenty of cold water and a soft cloth.

**Note:** If the reagent crystallises, use a soft sponge.



The reagent must not come into contact with eyes or skin. If it does, wash the affected area with plenty of cold water. If necessary, consult a doctor.

### In extreme cold weather conditions

**In frosty weather conditions, the reagent tank should be refilled when the**




indicator and the message "Top up AdBlue before 1200 km" appear on the instrument panel.

### Special cases

The reagent fluid freezes below about -10°C.

In these conditions, do not attempt filling when the fluid is frozen. In the event of needing to top up or fill the tank

with reagent ( on), park the vehicle in a hotter location if possible so that the reagent becomes liquid again. Otherwise, have a qualified professional top up or fill up with reagent fluid.

After filling the reagent tank, check that the cap and cover are closed, start the engine and **WAIT 10 seconds with the vehicle stationary, engine running** before setting off again.

If this operation is not carried out, the filling of the tank will not be taken into account automatically until after several dozens of minutes of driving.

The message "--- Top up AdBlue" and/or the warning lights will continue to appear until the filling has been taken into account by the system.






No work whatsoever is permitted on any part of the system. To prevent damage, only qualified personnel from our network may work on the system.



# REAGENT TANK (3/4)

## Maintenance/Range

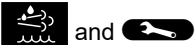





The information displayed on the instrument panel may be accompanied by a beep.

Indicator lights	Message	What to do?
–	“AdBlue Level Correct”	–
–	“Top Up AdBlue before 2400 km”	When the message is displayed when the ignition is switched on, you have <b>less than 1,488 miles (2,400 km) range</b> . Fill or have an Approved Dealer <b>fill or top up the reagent</b> in the tank.
 appears.	“Top up AdBlue before 1200 km”	When the message is displayed when the ignition is switched on, you have <b>between 744 miles (1,200 km) and 496 miles (800 km) range</b> . Fill or have an Approved Dealer <b>fill or top up the reagent</b> in the tank.
 appears.	“XXX MILES (XXX KM) Failure Top up AdBlue”	The message is displayed when the ignition is switched on and is repeated: <ul style="list-style-type: none"> <li>– Approximately every 62 miles (100 km), you have <b>between about 496 miles (800 km) and 124 miles (200 km) range</b>;</li> <li>– Approximately every 31 miles (50 km), you have <b>less than 124 miles (200 km) range</b>.</li> </ul> In any event, fill or have an Approved Dealer <b>fill the reagent tank as soon as possible</b> .
 appears.	“0 MILES (0 KM) Failure Top up AdBlue”	<b>The engine will not start.</b> To restart, you must fill the reagent tank yourself.

# REAGENT TANK (4/4)

## System fault

When the indicator lights light up, this may be accompanied by a beep.

Indicator lights	Message	Readings
 and  come on.	"Check anti-pollution system"	Indicates a fault in the system. Contact your approved dealer as soon as possible.
 and  come on.	"XXX MILES (XXX KM) Failure antipollution"	Indicates a system fault and that in <b>less than 496 miles (800 km) it will become impossible to restart the vehicle.</b> These warnings are repeated: <ul style="list-style-type: none"><li>– Every 62 miles (100 km) until there is <b>around 124 miles (200 km) left</b> before the vehicle cannot be restarted;</li><li>– Every 31 miles (50 km) when there is <b>less than 124 miles (200 km) left</b> before the vehicle cannot be restarted.</li></ul> Contact your approved dealer as soon as possible.
 and  come on.	"0 KM Failure antipollution"	Indicates that after the ignition is switched off <b>the vehicle will not restart.</b> Call an approved Dealer.

# Section 2: Driving

Running in . . . . .	2.2
Ignition switch . . . . .	2.3
Starting, stopping the engine: vehicle with key/remote control unit. . . . .	2.4
Starting - Stopping the engine: vehicle with RENAULT card. . . . .	2.5
Standing start procedure . . . . .	2.8
Stop and Start function . . . . .	2.10
Special features of petrol versions . . . . .	2.14
Special features of diesel versions . . . . .	2.16
Gear lever/Handbrake . . . . .	2.17
Electronic parking brake . . . . .	2.18
Driving advice, Eco-driving . . . . .	2.22
Maintenance and antipollution advice . . . . .	2.27
Environment . . . . .	2.28
Tyre pressure loss warning . . . . .	2.29
Tyre pressure monitoring system . . . . .	2.35
Driver correction devices and aids . . . . .	2.40
Lane departure warning. . . . .	2.50
Blind spot warning . . . . .	2.53
Safe distance alert. . . . .	2.57
Fatigue detection warning . . . . .	2.59
Speed limiter . . . . .	2.61
Speeding alert . . . . .	2.64
Cruise control . . . . .	2.67
Adaptive cruise control . . . . .	2.71
Parking distance control . . . . .	2.78
Reversing camera . . . . .	2.83
Assisted parking . . . . .	2.85
Automatic gearbox. . . . .	2.89

# RUNNING IN

## Petrol version

For the first **600 miles** (1,000 km), do not exceed 78 mph (130 km/h) in the highest gear, or 3,000 to 3,500 rpm.

You may only expect top performance from your vehicle after approximately **1,800 miles (3,000 km)**.

**Service intervals:** refer to the Maintenance Document for your vehicle.

## Diesel version

For the first **1,000 miles (1,500 km)**, do not exceed 80 mph (130 km/h) in the highest gear, or 2,500 rpm. After completing this mileage you may drive faster, although you may only expect top performance after approximately 3,600 miles (6,000 km).

During the running in period, do not accelerate hard while the engine is still cold and do not let the engine over-rev.

**Service intervals:** refer to the Maintenance Document for your vehicle.

# IGNITION SWITCH: vehicle with key



## Ignition switch

### “LOCK 0 position

To lock: remove the key and turn the steering wheel until the steering column locks.

To unlock: turn the key and the steering wheel slightly.

### “ON” 2 position

The ignition is switched on:

Accessories (radio etc.) can be used.

### “START” 3 position

If the engine fails to start at the first attempt, the key must be turned back before the starter can be activated again. Release the key as soon as the engine starts.

**Note:** on diesel versions, several seconds may pass between turning the key and the engine starting to allow for engine preheating.

# STARTING, STOPPING THE ENGINE: vehicle with key



## Starting the engine

### Petrol versions

- Activate the starter **without accelerating**;
- release the key as soon as the engine starts.



Never start your vehicle while freewheeling on a gradient. Risk of non-activation of power-assisted steering.

There is a risk of accidents.



### Diesel versions

- Turn the ignition key to the “ON” position 2 and hold this position until the engine preheating light goes off;
- turn the key to the “START” position 3 **without depressing the accelerator pedal**;
- release the key as soon as the engine starts.

**Special note:** if starting the engine when the outdoor temperature is very low (below - 10 ° C): hold down the clutch pedal until the engine starts.



Never switch off the ignition before the vehicle has stopped completely. Once the engine has stopped, the brake servo, power-assisted steering, etc. and the passive safety devices such as air bags and pretensioners will no longer operate.

## Stopping the engine

With the engine idling, turn the key back to the “LOCK” position 0.



### Driver's responsibility when parking or stopping the vehicle

Never leave an animal, child or adult who is not self-sufficient alone in your vehicle, even for a short time.

They may pose a risk to themselves or to others by starting the engine, activating equipment such as the electric windows or locking the doors, for example.

Also, in hot and/or sunny weather, please remember that the temperature inside the passenger compartment increases very quickly.

**RISK OF DEATH OR SERIOUS INJURY.**

## STARTING, STOPPING THE ENGINE: vehicle with RENAULT card (1/3)

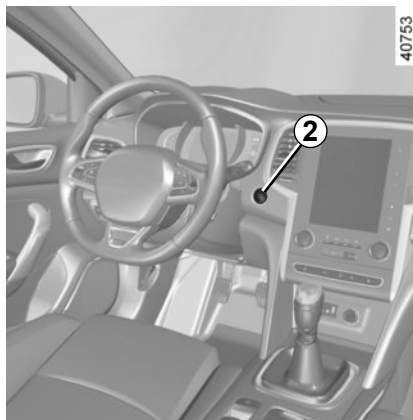


### Conditions for starting the engine

The RENAULT card must be inserted in detection zone **1**.

To start:

- vehicles with an automatic gearbox, place the lever in position **P**, depress the brake pedal and press button **2**;
- vehicles with a manual gearbox, depress the brake or clutch pedal and press button **2**. If a gear is engaged, the vehicle may only be started by depressing the clutch pedal.



### Special features

- If one of starting conditions is not applied, the message “Press brake + START” or “Press clutch + START” or “Select P” is displayed on the instrument panel;
- in some cases, it will be necessary to move the steering wheel whilst pressing the start button **2** to help unlock the steering column; the message “Turn steering wheel + START” will warn you of this;

### “Hands-free” starting with the tailgate open

In this case, the RENAULT card should not be located in the boot, to avoid any risk of loss.



#### Driver's responsibility when parking or stopping the vehicle

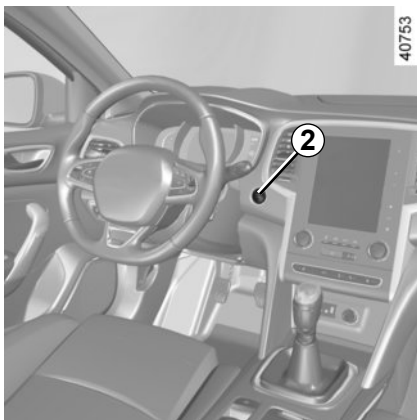
Never leave an animal, child or adult who is not self-sufficient alone in your vehicle, even for a short time.

They may pose a risk to themselves or to others by starting the engine, activating equipment such as the electric windows or locking the doors, for example.

Also, in hot and/or sunny weather, please remember that the temperature inside the passenger compartment increases very quickly.

**RISK OF DEATH OR SERIOUS INJURY.**

## STARTING, STOPPING THE ENGINE: vehicle with RENAULT card (2/3)

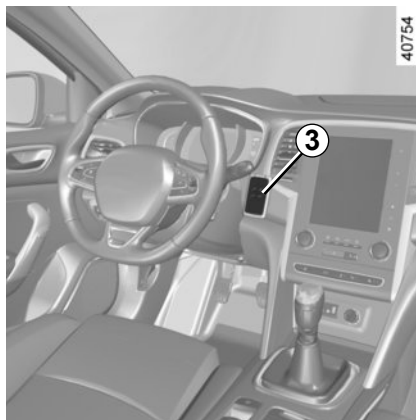


### Accessories function

(switching on the ignition)

Once you have gained access to your vehicle, you may use some of its functions (radio, navigation, wipers, etc.).

To use the other functions, with the RENAULT card in the passenger compartment, press button **2** without pressing the pedals.

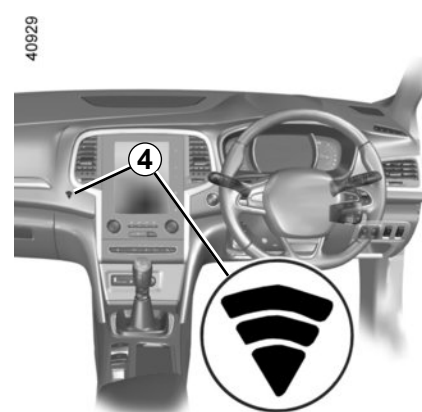


### Operating faults

In certain cases, the RENAULT “hands-free” card may not work:

- when the RENAULT card battery is drained, etc.;
- near to appliances operating on the same frequency as the card (monitor, mobile phone, video game, etc.);
- vehicle located in a high electromagnetic radiation zone.

The message “Place card close START and push” or depending on the vehicle “Place card near symbol + START” appears on the instrument panel.



Press the brake or clutch pedal, then place the RENAULT **3** card (logo side) for around 2 seconds in contact with.

- the start button **2** in left-hand drive vehicles;

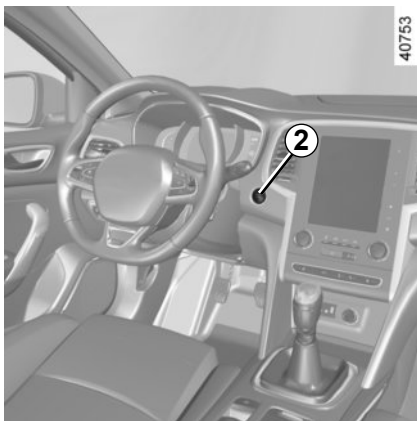
or

- the symbol **4** in right-hand drive vehicles.

Press button **2** to start the vehicle. The message goes out.



## STARTING, STOPPING THE ENGINE: vehicle with RENAULT card (3/3)



### Conditions for stopping the engine

The vehicle must stationary, with the lever positioned in **N** or **P** for vehicles with an automatic transmission.

With the RENAULT card in the vehicle, press the **2** button: the engine will stop. The steering column is locked when the driver's door is opened or the vehicle is locked.

If the RENAULT card is no longer in the passenger compartment when you try to switch the engine off, the message "No keycard Press and hold" appears on the instrument panel: press the button **2** for longer than two seconds. If the card is no longer in the passenger compartment, make sure you can retrieve it before pressing and holding the button. Without the card RENAULT, you will not be able to start.

With the engine switched off, any accessories being used (radio, etc.) will continue to function for approximately 10 minutes.

When the driver's door is opened, the accessories stop working.



Never switch off the ignition before the vehicle has stopped completely. Once the engine has stopped, the brake servo, power-assisted steering, etc. and the passive safety devices such as air bags and pretensioners will no longer operate.



When you leave your vehicle, especially if you have your RENAULT card with you, check that the engine is completely switched off.



### Driver's responsibility when parking or stopping the vehicle

Never leave an animal, child or adult who is not self-sufficient alone in your vehicle, even for a short time.

They may pose a risk to themselves or to others by starting the engine, activating equipment such as the electric windows or locking the doors, for example.

Also, in hot and/or sunny weather, please remember that the temperature inside the passenger compartment increases very quickly.

**RISK OF DEATH OR SERIOUS INJURY.**

## STANDING START PROCEDURE (1/2)



If fitted on the vehicle, with the vehicle stationary, the standing start procedure (Launch Control) is a function which permits maximum acceleration.

**Note:** This function should only be used when the mechanical components have reached their operating temperature.

### Activating the system

The system is activated by:

- with the engine running, and the vehicle stationary;
- Sport mode activated (please see the “Multi-Sense” section);
- depress the brake pedal with the left foot;
- keeping the brake pedal pressed, pull the two steering wheel paddles **1** until the message “Launch Control ON” appears on the instrument panel;
- release the paddles **1**;
- with your left foot still pressing the brake pedal, press the accelerator pedal fully to beyond the point of resistance with your right foot (the engine speed will automatically stabilise at around 2500 rpm);
- within 3 seconds, release the brake pedal for a sporty vehicle start.

Heavy use of the system will reduce the service life of the mechanical components (clutch, transmission, etc.).



Do not use this function on slippery or wet roads.

**Risk of loss of control of the vehicle.**



Because of the acceleration gained, this function should only be used if traffic conditions permit, and in compliance with the local driving regulations. Please ensure all the conditions are met before each use.

**Risk of accident or serious injury.**

## STANDING START PROCEDURE (2/2)

### Conditions for non-activation of the system

Certain conditions will not enable the system to be activated:

- five successive authorised standing start procedures - beyond five procedures being performed, the function will be prevented for approximately 10 minutes;
- high clutch temperature;
- excessive road gradient percentage;
- fault in the vehicle system (ESC, etc.).

**Note:** If the function is prevented by any of these conditions, the message “Launch Control ON” will not be displayed on the instrument panel.

The use of the function accelerates wear on the tyres; please refer to the information on «Tyres» in Section 5 of your driver's handbook.



Because of the acceleration gained, this function should only be used if traffic conditions permit, and in compliance with the local driving regulations. Please ensure all the conditions are met before each use.

**Risk of accident or serious injury.**

## FUNCTION STOP AND START (1/4)

This system enables a reduced fuel consumption and lower greenhouse gas emissions.

The system is activated automatically when the vehicle is started. While driving, the system stops the engine (standby) when the vehicle is at a standstill (traffic jam, traffic lights, etc).

### Conditions for engine standby


The vehicle has set off from where it was parked;

#### For automatic gearboxes:

- the gearbox is in position D, M or N;
- and the brake pedal is pressed (sufficiently hard);
- and the accelerator pedal is not pressed;
- and the speed is zero for around 1 second.


The engine remains on standby if position P is selected, or if position N is selected with the handbrake engaged and the brake pedal released.

#### For manual gearboxes:


- the gearbox is in neutral;
- and the clutch pedal is released. If the warning light  flashes, this means that the clutch pedal is not sufficiently released;
- and the vehicle speed is less than approximately 1.86 mph (3 km/h).

If the engine stalls while the system is in operation, pressing the clutch pedal right down will start it again.



Keep your vehicle stationary when the engine is on standby (shown by the warning light  on the instrument panel).

#### For all vehicles:

The warning light  on the instrument panel is lit when the engine is on standby. The vehicle equipment remains operational while the engine is stopped.

Depending on the vehicle, when the engine switches to standby, the steering assistance may no longer be operational.

In this case it becomes operational again when the engine is no longer on standby or the speed exceeds approximately 0.62 mph (1 km/h) (downhill, slope, etc.).



If the engine is put in standby, the electronic parking brake (depending on the vehicle) is not applied automatically.



The ignition must be switched off before leaving the vehicle (please see the information on “Starting, stopping the engine” in Section 2).

## FUNCTION STOP AND START (2/4)

### Preventing the engine from standing by

In certain situations, such as negotiating a crossroads for instance, it is possible (with the system activated) to keep the engine running so as to be ready to move off quickly.

#### Automatic gearbox:

Keep the vehicle stationary without pressing too hard on the brake pedal.

#### Manual gearbox:

Keep the clutch pedal pressed right down.

### Conditions for coming out of engine standby

#### For automatic gearboxes:

- the brake pedal is released, position D or M engaged;
- or the brake pedal is released, position N engaged and the parking brake off;
- or the brake pedal is pressed again, with position P engaged or position N engaged with the parking brake applied;
- or position R is engaged;
- or the accelerator pedal is pressed;
- or in manual mode the gear lever is moved towards + or -.

#### For manual gearboxes:

- the gearbox is in neutral and the clutch pedal is slightly depressed, or
- the engine is in gear and the clutch pedal is pressed right down.

**Special note:** depending on the vehicle, if you switch off the ignition when the engine is on standby, the warning

light  is displayed for a few seconds on the instrument panel.

To fill up with fuel, the engine must be stopped (and not on standby): stop the engine (Please See “Starting, stopping the engine” in Section 2).

## FUNCTION STOP AND START (3/4)

### Conditions preventing the standby of the engine

Certain conditions prevent the system from using the engine standby function, including when:


#### for vehicles equipped with a RENAULT card:

- the driver's door is not closed;
- the driver's seatbelt is not fastened.

#### for all vehicles:

- reverse gear is engaged;
- the bonnet is not locked;
- the outdoor temperature is too low or too high (less than around 5°C or higher than around 35°C);
- the battery is not sufficiently charged;
- the difference between the vehicle interior temperature and the automatic climate control instruction is too high;
- parking distance control is in operation;

- for vehicles with automatic gearboxes, the gradient is steeper than approximately 12%;
- the "Clear View" function is activated (please see "Automatic climate control" in Section 3);
- the engine temperature is too low;
- the emission control system is being regenerated;
- Multi-Sense Sport mode is activated (depending on the vehicle);
- ...

Warning light  is displayed on the instrument panel. This notifies you that engine standby is not available.



Deactivate the Stop and Start function for any operation performed in the engine compartment.

### Special case for vehicles with a RENAULT card

With the engine on standby (traffic jam, traffic lights, etc.), if the driver unfastens the seat belt and opens the driver's door, or gets out of the seat, the ignition is switched off.

The assisted parking brake is applied automatically.

To restart and reactivate the Stop and Start system, start the engine (please refer to the information on "Starting, stopping the engine" in Section 2).

### Special case of vehicles with a key

With the engine on standby (traffic jam, traffic lights, etc.), if you get out of the vehicle, a beep warns you that the engine is on standby and has not been stopped.

## FUNCTION STOP AND START (4/4)

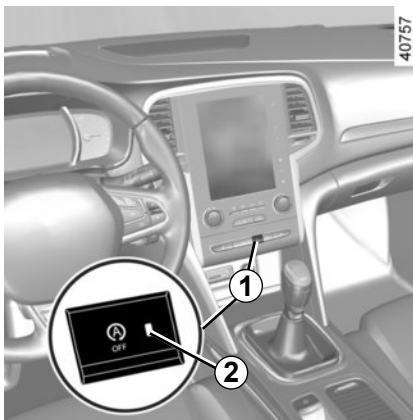
### Special feature of the automatic engine re-start

Under certain conditions, the engine can restart on its own in order to guarantee your safety and comfort.

This can occur especially when:

- the outdoor temperature is too low or too high (less than around 5°C or higher than around 35°C);
- the “Clear View” function is activated (please see “Automatic climate control” in Section 3);
- the battery is not sufficiently charged;
- the vehicle speed is above 3 mph (5 km/h) (downhill slope, etc.);
- repeated pressing on the brake pedal or braking system requirement;
- ...

For vehicles fitted with a manual gearbox, the restarting of the engine may be stopped if the clutch pedal is released too quickly and a gear is engaged.



### Deactivating, activating the function

Press **1** to deactivate the function. The message “Stop & Start deactivated” will appear on the instrument panel and the integrated warning light **2** on the switch will light up.

Pressing again will reactivate the system. The message “Stop & Start activated” will appear on the instrument panel and the integrated warning light **2** on switch **1** will go out.

Note: With the engine on standby, press switch **1** to automatically restart the engine.

The system is automatically reactivated each time the vehicle is started (see “Starting, stopping the engine” in Section 2).

### Operating faults

When the message “Check Stop & Start” appears on the instrument panel and the integrated warning light **2** lights up on the switch **1**, the system is deactivated.

Please consult an authorised dealer.

**Special feature of vehicles with a key:** for some of these conditions the automatic restarting of the engine is inhibited if a front door is open.



The ignition must be switched off before leaving the vehicle (please see the information on “Starting, stopping the engine” in Section 2).

## SPECIAL FEATURES OF PETROL VERSIONS (1/2)

The following operating conditions:

- driving for long periods when the low fuel level warning light is lit;
- using leaded petrol;
- using lubricant or fuel additives which are not approved.

Or operating faults such as:

- faulty ignition system, running out of fuel or disconnected spark plugs resulting in the engine misfiring or cutting out when driving;
- loss of power,

as they may cause the catalytic converter to overheat and thus reduce its efficiency, **or damage it irreparably and cause heat damage to the vehicle.**

If you notice any of the above operating faults, have the necessary repairs carried out as soon as possible by an approved Dealer.

These faults may be avoided by regularly taking your vehicle to an approved Dealer at the intervals specified in the Maintenance document.

### Starting problems

To avoid damaging the catalytic converter, **do not keep** trying to start the engine (using the start button, or by pushing or towing the vehicle) **without having identified and corrected the starting fault.**

If the fault cannot be identified, do not keep trying to start the engine, but contact an approved Dealer.



Do not park the vehicle or run the engine in locations where combustible substances or materials such as grass or leaves can come into contact with the hot exhaust system.





## SPECIAL FEATURES OF PETROL VERSIONS (2/2)/PARTICLE FILTER

### Particle filter

The particle filter is used in the treatment of exhaust gases from petrol engines.

Depending on the vehicle, the warning


light  displayed on the instrument panel indicates that the filter is becoming clogged and requires cleaning. To


clean it, when the  warning light appears, and as traffic conditions and speed limits allow, drive at between about 31 mph (50 km/h) and 68 mph (110 km/h) until the light goes out.


After between approximately 5 and 20 minutes, the warning light should go out.

If, after approximately 20 minutes, the indicator light remains lit, consult an Approved Dealer.

**Note:** if the vehicle is stopped before the warning light disappears, you will have to restart the process from the beginning.

If the filter becomes saturated, the  warning light and, depending

on the vehicle, the  warning light will appear on the instrument panel, accompanied by the message “Check injection”. In this case, please consult an Authorised Dealer.

If the **STOP** warning light and, depending on the vehicle, the  warning light appears, accompanied by the “Engine failure hazard” message, stop the vehicle, switch off the engine and contact an Approved Dealer.





Warning light **STOP** requires you to stop immediately, for your own safety, as soon as traffic conditions allow. Switch off the engine and do not restart it. Contact an approved Dealer.

## SPECIAL FEATURES OF DIESEL VERSIONS

### Diesel engine speed

Diesel engines are fitted with an injection pump **which prevents the engine speed being exceeded** irrespective of the gear selected.

If the message “Check antipollution system” is displayed along with warn-

ing lights  and , consult an authorised dealer immediately.

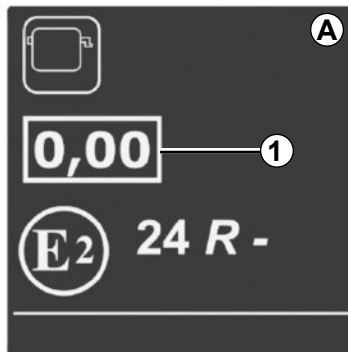
When driving, depending on the fuel grade used, it is possible that white smoke may be emitted.

This is due to the exhaust particle filter being cleaned automatically, and does not affect the way the vehicle runs.

### Running out of fuel

If the tank has been **completely drained**, the system must be reprimed after the tank is refilled: See “Fuel tank” in section 1 before restarting the engine.

43218



### Engine smoke opacity label

You will find **1** information on the **A** label stuck inside the engine compartment.

**1** Diesel exhaust emissions.

### Precautions to be taken in winter

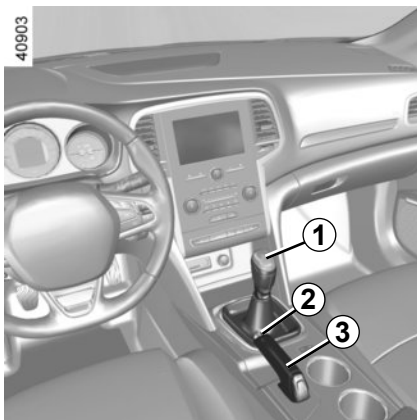
To avoid any faults in icy weather:

- ensure that the battery is always fully charged,
- always keep the diesel tank relatively full to avoid water vapour condensing in it and accumulating at the bottom of the tank.



Do not park the vehicle or run the engine in locations where combustible substances or materials such as grass or leaves can come into contact with the hot exhaust system.

# GEAR LEVER/HANDBRAKE



## Gear lever

### Selecting reverse gear

**Vehicle with manual gearbox:** Follow the grid marked on knob **1** and, depending on the vehicle, lift the ring against the knob to engage reverse gear.

**Vehicles with automatic gearbox:** refer to the information on the “Automatic gearbox” in Section 2.

The reversing lights will come on as soon as reverse gear is selected with the ignition on.

## Handbrake

### To release:

Pull the lever **3** up slightly, press button **2** and then lower the lever to the floor.

The red warning light on the instrument panel will remain on, accompanied by the message “Parking brake on” and a beep if you are driving with an incorrectly released handbrake.



An impact to the underside of the vehicle while manoeuvring (e.g.: striking a post, raised kerb or other street furniture) may result in damage to the vehicle (e.g.: deformation of an axle).

To avoid any risk of accident, have your vehicle checked by an approved Dealer.

### To apply:

Pull lever **3** upwards. Check that the vehicle is immobilised. The warning light on the instrument panel will come on.

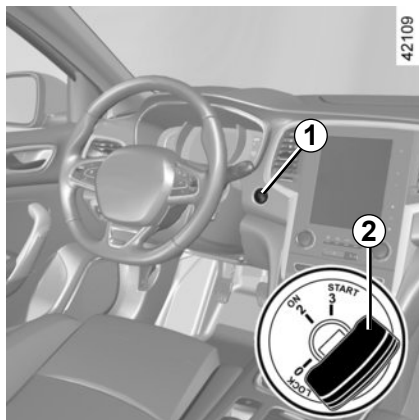


Make sure that the handbrake is properly released when driving (red indicator light off), otherwise overheating, or even damage, may occur.



When stationary, and depending on the slope and/or vehicle load, it may be necessary to pull up the handbrake at least two extra notches and engage a gear (1<sup>st</sup> or reverse gear) for vehicles with a manual gearbox or position **P** for vehicles with an automatic gearbox.

## ELECTRONIC PARKING BRAKE (1/4)



### Assisted operation

#### Applying the electronic parking brake

With the vehicle stationary, the electronic parking brake can be used to immobilise the vehicle:

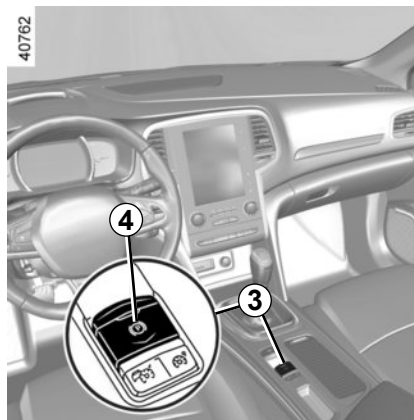
- by pressing the engine start/stop button **1** or by turning the ignition key **2** to the “ON” **2** position;

or

- when the driver’s seat belt is unfastened;

or

- when the driver’s door is opened;



or

- for vehicles fitted with an automatic gearbox, when **position P** is engaged;


or

- when the driver leaves the seat base of their seat (e.g.: to bend over to collect an object on the rear floor, etc.).


In all other circumstances, for example **stalling of the engine or placing of the engine on standby by the Stop and Start** function (refer to the information on the “Stop and Start” function in Section 2), the electronic parking brake is not applied automatically. Manual mode must be used.

For certain country-specific model versions, the assisted brake application function is not activated. Refer to the information on “Manual operation”.


To confirm that the electronic parking brake is applied, the message “Parking

brake on” and warning light  on the instrument panel and warning light **4** on the switch **3** light up.

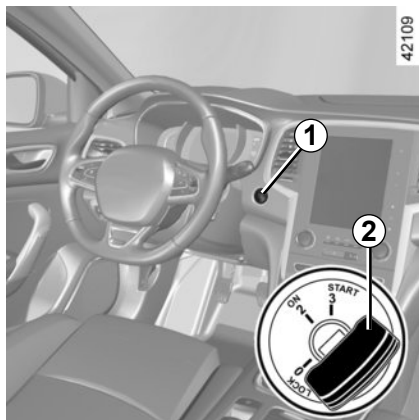
After the engine is switched off, indicator light **4** goes out several minutes after the assisted parking brake has

been applied and indicator light  goes out when the vehicle is locked.



Before leaving the vehicle, check that the electronic parking brake is fully applied. Warning light **4** on switch **3** and warning light  on the instrument panel light up to show that the parking brake is applied but go out when the doors are locked.

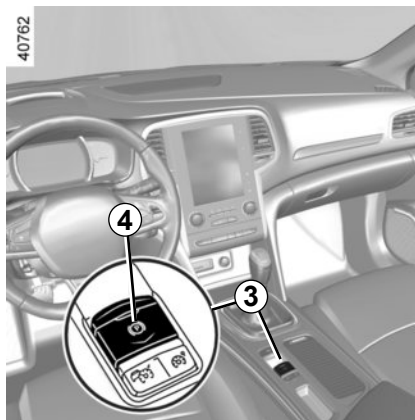
## ELECTRONIC PARKING BRAKE (2/4)



### Assisted operation (continued)

**Note:** in some situations (electronic parking brake failure, manual release of the parking brake, etc.), a beep sounds and the message “Apply parking brake” appears on the instrument panel to warn you that the electronic parking brake has been released.

- with the engine running: when the driver’s door is opened;
- with the engine switched off (eg. when the engine stalls): when a front door is opened.



In this case, pull and release switch **3** to apply the assisted parking brake.


### Assisted release of the parking brake

The brake will be released as soon as the vehicle starts and accelerates.


## Manual operation

You can apply the electronic parking brake manually.


### Manually applying the electronic parking brake

Pull switch **3**: warning light **4** on the switch and the  warning light on the instrument panel light up.

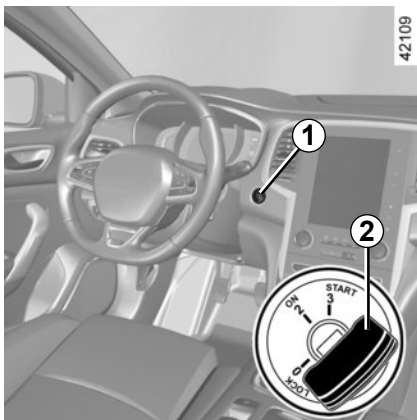
### Manually releasing the electronic parking brake

Press switch **1** without pressing the pedals or turning the key **2** in position “ON” **2** to switch on the ignition. Press the brake pedal then press switch **3**: indicator light **4** on the switch and indicator light  displayed on the instrument panel go out.



Before leaving the vehicle, check that the electronic parking brake is fully applied. Warning light **4** on switch **3** and warning light  on the instrument panel light up to show that the parking brake is applied but go out when the doors are locked.

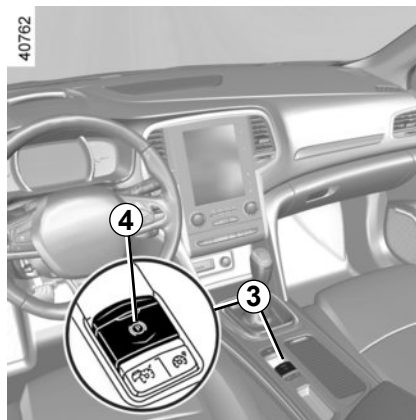
## ELECTRONIC PARKING BRAKE (3/4)



### Brief stop

To apply the electronic parking brake manually (when stopping at a red light, or stopping when the engine is running, etc.): pull and release the switch **2**.

The brake is released as soon as the vehicle is started up again.




### Special cases

To park on a slope or while towing a trailer, for example, pull switch **3** for a few seconds to gain the maximum braking.

To park the vehicle without applying the electronic parking brake (if there is a risk of freezing, for example):

- switch off the engine by pressing engine start/stop button **1** or by turning the ignition key **2**;
- manually release the electronic parking brake;
- with a gear or position **P** engaged, release the brake pedal and the switch **3**.



If the driver's seat belt is unfastened before the vehicle has come to a complete standstill, ensure the parking brake has been properly applied: warning light  on the instrument panel light up to confirm this.

**Risk of loss of immobilisation.**

## ELECTRONIC PARKING BRAKE (4/4)



If the message “Electric failure DANGER” or “Check battery” appears, manually activate the electronic parking brake by pulling switch **2** (or position the gear lever in **P** for automatic gearboxes) before stopping the engine.

**Risk of loss of immobilisation of the vehicle.**

Contact an authorised dealer.



Never leave your vehicle without moving the selector lever to position **P** and switching off the engine. This is because when the vehicle is stationary with the engine running and a gear engaged, the vehicle may begin to move.

**There is a risk of accidents.**





### Versions with an automatic gearbox

For safety reasons, automatic release is deactivated when the driver's door is open or not shut properly and the engine is running (in order to prevent the vehicle from moving without the driver). The “Release parking brake manually” message appears on the instrument panel when the driver depresses the accelerator.



If no lights or sounds are apparent, this indicates a fault in the instrument panel. This indicates that it is essential to stop immediately (as soon as traffic conditions allow). Ensure that the vehicle is correctly immobilised and contact an approved Dealer.

### Operating faults

- If there is a fault, the  warning light illuminates on the instrument panel accompanied by the “Check parking brake” message and, in some cases, the  warning light. Please contact an authorised dealer as soon as possible.
- If there is an assisted parking brake fault, the warning light  comes on, along with the message “Braking system fault”, a beep and, in some cases, the warning light . This means that you must stop as soon as traffic conditions allow.




It is therefore essential to immobilise the vehicle by engaging first gear (manual gearbox) or position **P** (automatic gearbox). If the slope requires it, chock the vehicle.

## DRIVING ADVICE, ECO-DRIVING (1/5)

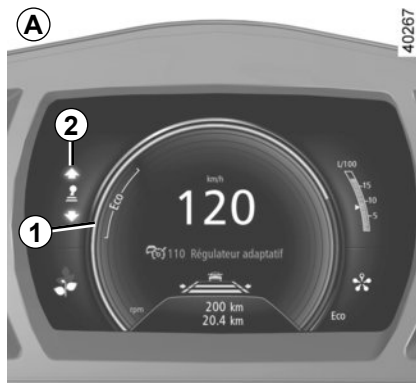
Fuel consumption is accredited in accordance with a standard regulatory method. Identical for all manufacturers, this enables vehicles to be compared with one another. Consumption in real time depends on vehicle usage conditions, the equipment fitted and the user's driving style. To optimise fuel consumption, please refer to the following advice.

Depending on the vehicle, you will have various functions which enable you to lower your fuel consumption:

- the rev counter with ECO zone;
- gear change indicator;
- the driving style indicator;
- the journey record and eco-driving advice via the multimedia screen;
- ECO mode.

Warning light  is displayed on the instrument panel when parameter "Free wheel in ECO mode" is activated (ON in menu "User settings").

If fitted on the vehicle, the navigation system provides additional information.

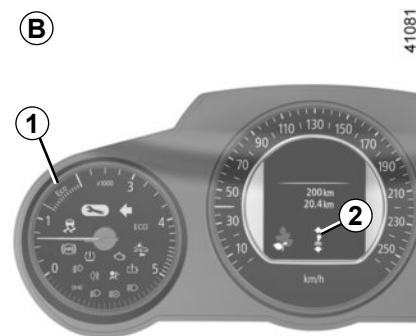


### On the instrument panel A or B

Depending on the vehicle, the information display can be organised and customised based on the instrument panel customisation style selected from the multimedia screen.


#### The rev counter with ECO zone 1


Driving in the ECO zone helps you optimise fuel consumption under most circumstances.



#### Gear change indicator 2

Depending on the vehicle, to obtain optimum consumption levels, a warning light on the instrument panel lets you know the best time to move up or down a gear:

 move up a gear;

 move down a gear.

If you regularly follow this indicator, you will reduce your vehicle's fuel consumption.



## DRIVING ADVICE, ECO-DRIVING (2/5)

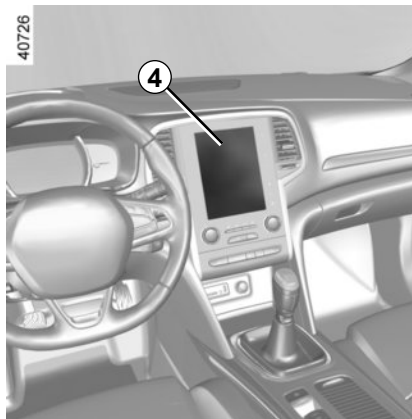


### Driving style indicator 3

Informs you about the driving style adopted in real time. This is shown by indicator light **3**.

The more petals there are on indicator **3**, the smoother and more economical your driving.

To activate/deactivate the driving style indicator, please see the multimedia system instructions.



### On the multimedia screen

#### Journey record

Once the engine is switched off, you will see "Journey record" displayed on the screen **4**, enabling you to view information relating to your last journey.

This indicates:

- average fuel consumption;
  - number of miles/kilometres travelled;
  - number of miles/kilometres saved.
- They correspond to driving with no fuel consumption.

An overall rating from 0 to 100 is displayed to let you assess your eco driving performance. The higher the rating, the lower the fuel consumption. Eco advice is given to help improve your performance.

With your favourite journeys saved, you can compare your performance between trips and the performance of other vehicle users.

For more information, please see the multimedia system instructions.

## DRIVING ADVICE, ECO-DRIVING (3/5)

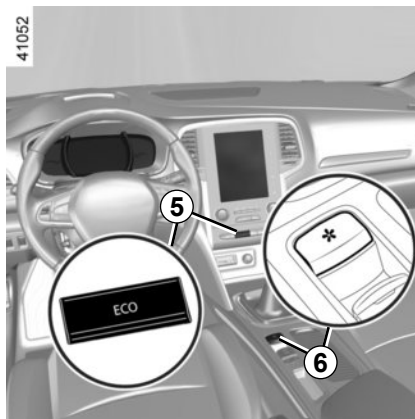
### ECO mode

ECO mode is a function which optimises fuel consumption. It acts upon certain power consuming systems in the vehicle (heating, air conditioning, power-assisted steering, etc.) and on certain driving actions (acceleration, gear changing, cruise control, deceleration, etc.).

Limiting acceleration enables low fuel consumption in urban and surrounding areas. Reduced usage of the air conditioning reduces fuel consumption without affecting heating comfort.

### Free wheel in ECO mode

Depending on the vehicle, for vehicles fitted with an automatic gearbox, in the deceleration phases (with the foot fully off the accelerator pedal), switching to freewheeling (automatic neutral) decreases engine braking and allows you to farther without accelerating in order to save fuel.



To activate/deactivate the “free wheel” mode, see “Vehicle settings customisation menu” in Section 1.

### Activating the function

The function can be activated:

- by pressing switch **5**;
- by pressing the switch **6** (please refer to the information on “Multi-Sense” in Section 3);
- from the navigation menu on the multimedia screen (please refer to the instructions for the multimedia equipment).

The warning light **ECO** comes on on the instrument panel to confirm activation.

While driving, it is possible to leave the ECO mode temporarily in order to improve engine performance.

For this, depress the accelerator pedal firmly and fully.

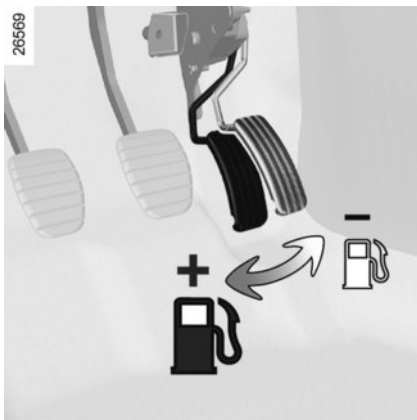
ECO mode is reactivated when you take pressure off the accelerator pedal.

### Disabling the function

Press switch **5**.

The warning light **ECO** goes out on the instrument panel to confirm deactivation.

## DRIVING ADVICE, ECO-DRIVING (4/5)



### Driving advice and ECO driving

#### Behaviour

- Drive carefully for the first few miles until the engine reaches its normal operating temperature, rather than let it warm up while the vehicle is stationary.
- Speed is expensive.
- Dynamic driving with a lot of frequent acceleration and braking is expensive on fuel in comparison to the time saved.

- Do not overrev the engine in the intermediate gears.  
You should always use the highest gear possible.
- Avoid sudden acceleration.
- Brake as little as possible. If you anticipate an obstacle or bend in advance, you may then simply release the accelerator pedal.
- Do not try to maintain the same speed up a hill, accelerate no more than you would on flat ground. Keep your foot in the same position on the accelerator pedal.
- Double declutching and accelerating before switching off are unnecessary in modern vehicles.

- Bad weather, flooded roads:



Do not drive through floods if the water is above the lower edge of the wheel rims.

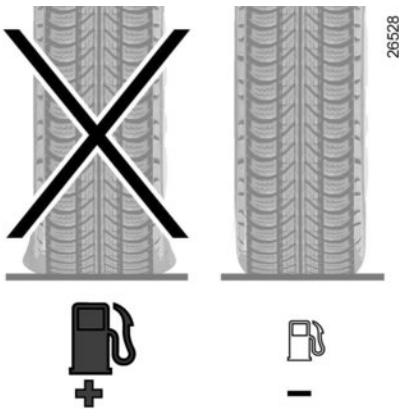


#### **Obstructions to the driver**

On the driver's side, only use mats suitable for the vehicle, attached with the pre-fitted components, and check the fitting regularly. Do not lay one mat on top of another.

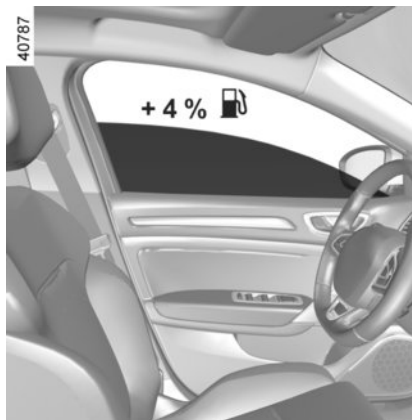
**There is a risk of wedging the pedals**

## DRIVING ADVICE, ECO-DRIVING (5/5)



### Tyres

- An underinflated tyre increases fuel consumption.
- Opt for the highest speed pressure or the pressure recommended to optimise fuel consumption indicated on edge of the driver's door (please refer to the information on "Tyre inflation pressure" in Section 4).
- The use of non-recommended tyres can increase fuel consumption.



### Advice on use

- Opt for ECO mode.
- Electricity is fuel; switch off all the electrical components which are not really needed. **However** (safety first), keep your lights on when the visibility is bad ("see and be seen").
- Use the air vents. Driving with the windows open at 60 mph (100 km/h) will increase fuel consumption by 4%.
- Never fill the fuel tank right to the brim to avoid overflow.

- In vehicles fitted with air conditioning, it is normal to observe an increase in fuel consumption (especially in urban conditions) when it is used. For vehicles fitted with manual air conditioning, switch off the system when it is not required.

### Recommendations for reducing consumption and therefore helping to preserve the environment:

If the vehicle has been parked in the sun, open the doors for a few moments to let the hot air escape before starting the engine.

- Do not leave an empty roof rack fitted to the vehicle.
- It is better to fit a trailer for bulky objects.
- When towing a caravan, fit a wind deflector and adjust it carefully.
- Avoid using the car for door-to-door calls (short journeys with long waits in between) because the engine never reaches its normal operating temperature.

## MAINTENANCE AND ANTIPOLLUTION ADVICE

Your vehicle complies with criteria for recycling and recovering vehicles at the end of their service life, which entered into force in 2015.

Some parts of your vehicle have therefore been designed to facilitate future recycling.

These parts are easy to remove so that they can be recovered and reprocessed by recycling companies.

By virtue of its design, moderate fuel consumption and initial settings, your vehicle also conforms to current antipollution regulations. The manufacturer is actively striving to reduce pollutant exhaust gas emissions and to save energy. But the fuel consumption of your vehicle and the level of pollutant exhaust gas emissions are also your responsibility. Ensure that it is maintained and used correctly.

### Maintenance

It is important to remember that failure to respect antipollution regulations could lead to legal action being taken against the vehicle owner.

In addition, replacing engine, fuel supply system and exhaust components with parts other than those originally recommended by the manufacturer may alter your vehicle so that it no longer complies with anti-pollution regulations.

Have your vehicle adjusted and checked by an authorised dealer, in accordance with the instructions given in your maintenance schedule: they will have all the equipment necessary for ensuring that your vehicle is maintained to its original standard.

### Engine adjustments

- **Spark plugs:** for optimum conditions of use, output and performance the specifications laid down by our Design Department must be strictly applied.  
If the spark plugs have to be changed, use the make, type and gap specified for your vehicle's engine. Contact an authorised dealer for this.
- **Ignition and idle speed:** no adjustment is needed.

- **Air filter, fuel filter:** a choked element will reduce efficiency. It must be replaced.

### Exhaust gas monitoring system

The exhaust gas monitoring system will detect any operating faults in the vehicle's antipollution system.

If this system malfunctions, toxic substances may be released into the atmosphere or damage may occur.



This warning light on the instrument panel will indicate if there are any faults in the system:

This lights up when the ignition is switched on and goes out when the engine is started.

- If it lights up continuously, consult an approved Dealer as soon as possible;
- if it flashes, reduce the engine speed until the light stops flashing. Contact an authorised dealer as soon as possible.



Refer to the information on "Reagent tank" in Section 1.

## ENVIRONMENT

Your vehicle has been designed with respect for the **environment** in mind for its entire service life: during production, use and at the end of its life.

This commitment is illustrated by the Renault eco<sup>2</sup> signature.

### Manufacture

Your vehicle has been manufactured at a factory which complies with a policy to reduce the environmental impact on the surrounding areas (reduction of water and energy consumption, visual and noise pollution, atmospheric emissions and waste water; sorting and re-using waste).

### Emissions

Your vehicle has been designed to emit fewer greenhouse gases (CO<sub>2</sub>) while in use, and therefore to consume less fuel (e.g. 140 g/km, equivalent to 1494.6 mpg (5.3 l/100 km) for a diesel vehicle).

Our vehicles are also equipped with a particle filter system including a catalytic converter, an oxygen sensor and an active carbon filter (the latter prevents vapour from the fuel tank being released into the open air).

For certain diesel vehicles, this system also has a particle filter to reduce the volume of soot particles emitted.

### Please make your own contribution towards protecting the environment too

- Worn parts replaced in the course of routine vehicle maintenance (vehicle battery, oil filter, air filter, batteries, etc.) and oil containers (empty or filled with used oil) must be disposed of through specialist organisations.

- At the end of the vehicle's service life, it should be sent to approved centres to ensure that it is recycled.
- In all cases, comply with local legislation.

### Recycling

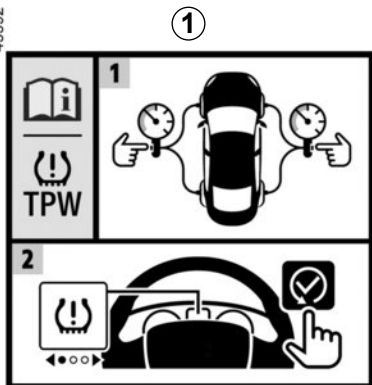
Your vehicle is 85% recyclable and 95% recoverable.

To achieve these objectives, many of the vehicle components have been designed to enable them to be recycled. The materials and structures have been carefully designed to allow these components to be easily removed and reprocessed by specialist companies.

In order to preserve raw material resources, this vehicle incorporates numerous parts made from recycled plastics or renewable materials (vegetable or animal-derived materials such as cotton or wool).

# TYRE PRESSURE LOSS WARNING (1/6)

43592



When fitted to the vehicle, this system notifies the driver if one or more tyres lose pressure.


The system can be identified by the **1** label in the vehicle.

47977



## Operating principle

This system detects a loss of pressure in one of the tyres by measuring the wheel speed while driving.

The warning light  **2** comes on on the dashboard to alert the driver in the event of insufficient pressure (tyre deflated, punctured etc.).



# TYRE PRESSURE LOSS WARNING (2/6)

## Operating conditions

The system should be reset with a pressure equal to that stated on the tyre pressure label (refer to the information on “Tyre Pressures” in section 4), otherwise it may not give a reliable warning in the event of significant pressure loss.

### **Resetting should always be carried out after checking the tyre pressure of all four tyres when cold.**

In the following situations, the system risk coming into action late or not functioning correctly:

- system not reset after reinflation or any operation on the wheels;
- system badly reset: different inflation pressures from the recommended pressures;

- significant change in load or distribution of load on one side of the vehicle;
- sporty driving with strong acceleration;
- driving on snowy or slippery surface;
- driving with snow chains;
- fitting a single new tyre;
- use of tyres not approved by the network.

The sudden loss of pressure in a tyre (burst tyre, etc.) cannot be detected by the system.

## Resetting the standard level for the tyre pressures

This should be done:

- after each re-inflation or resetting of tyre pressure;
- after changing a wheel;
- after changing wheels around.

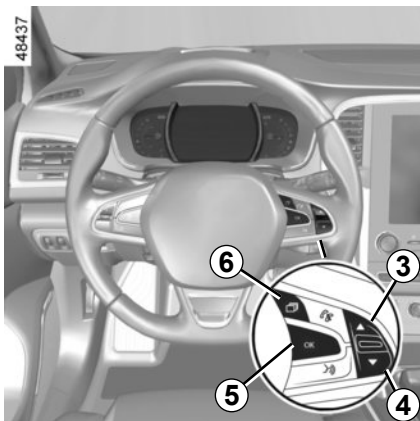
Tyre pressures must correspond to the current usage of the vehicle (empty, carrying a load, motorway driving, etc.).



This function is an additional driving aid. The function does not take the place of the driver. It cannot, therefore, under any circumstances replace the vigilance or the responsibility of the driver. Check the tyre pressures, including the emergency spare wheel, once a month.



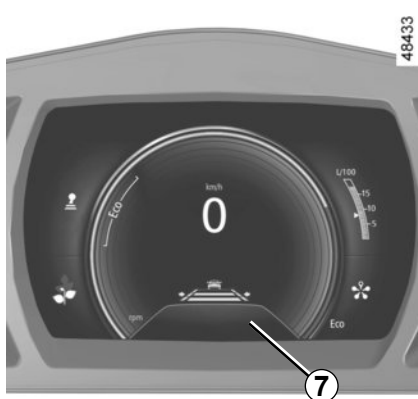
# TYRE PRESSURE LOSS WARNING (3/6)



## Resetting procedure

Ignition on, **vehicle stopped**:

- depending on the vehicle, press briefly on the **6** switch as many times as necessary to position in the area **7**;
- briefly press the **3** or **4** switch to reach the "Tyre pressure init. long press" page;
- press and hold the **5** OK switch to launch the reset.



Hold down the **5** switch until the "Operation completed" message appears. You can now drive.



## TYRE PRESSURE LOSS WARNING (4/6)

The table below shows the possible messages related to the tyre resetting procedure.

Steps	Messages	Readings
–	Tyre pressure init. at stop	The message is displayed during driving. If you want to reset the pressure of the four tyres, stop the vehicle.
1	Tyre pressure init. long press	To reset the pressure of the four tyres, with the vehicle stopped, press and hold the <b>5</b> OK switch to launch resetting until the “If pressure OK [hold on]” message is displayed.
2	If pressure OK [hold on]	The message flashes to indicate that the system has registered the resetting procedure. If the pressure of the four tyres has been correctly set to the values recommended on the tyre pressure label (see Tyre pressure” in section 4), press and hold the <b>5</b> OK switch until the “Operation completed” message appears.
3	Operation completed	The resetting procedure has been completed successfully. You can now drive.

## TYRE PRESSURE LOSS WARNING (5/6)

### Readjustment of tyre pressures

The pressure of the four tyres must be set when cold (refer to the label located on the edge of the driver's door).

If tyre pressures cannot be checked when the tyres are **cold**, the recommended pressures should be increased by **0.2 to 0.3 bar (3 PSI)**.

**Never deflate a hot tyre.**

After each reflation or readjustment of the tyre pressure, launch the reinitialisation of the tyre pressure reference value.

### Replacing wheels/tyres

Only use equipment approved by the brand network, or the system risks being activated late or not operating correctly. Please see the information on "Tyres" in Section 5.

After each change of wheel/tyre, readjust the tyre pressure and launch the reset of the tyre pressure reference value.

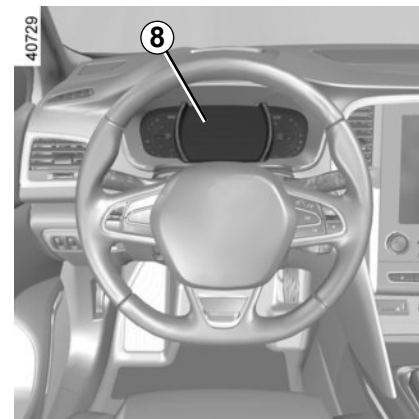
### Emergency spare wheel

If fitted on the vehicle, readjust the tyre pressure and launch the reinitialisation of the tyre pressure reference value.

### Tyre repair product and inflation kit

Only use equipment approved by the brand network, or the system risks being activated late or not operating correctly. Please refer to "Tyre inflation kit" in Section 5.

After using the tyre inflation kit, readjust the tyre pressure and launch the reinitialisation of the tyre pressure reference value.







### Tyre pressure faults

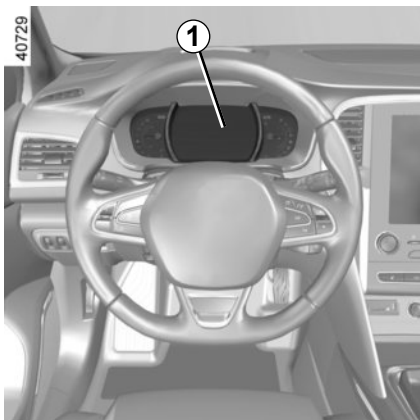
The table on the following page lists the warning messages which appear on the instrument panel **8** when the system detects a tyre pressure fault.

## TYRE PRESSURE LOSS WARNING (6/6)

The information on the instrument panel signals any potential tyre pressure faults (e.g. deflated or punctured tyre).

Indicator lights	Messages	Readings
	Inflate tyres and init.	This indicates that tyre under-inflation or puncture has been detected. Check and adjust the pressure of the four tyres when cold and reset the system.
	Check tyre press and init.	This indicates that the reset has been unsuccessful. Check and readjust the tyre pressure before re-launching the resetting procedure.
	Check tyre press and init.	This indicates that the last system reset was carried out over 6 months ago or over approximately 6,214 miles (10,000 km). Check and readjust the tyre pressure before re-launching another resetting procedure.
	Check TPW	This indicates a fault in the system. Consult an approved dealer.
	TPW not available	This indicates that an emergency spare wheel different in size to the other four wheels has been fitted to the vehicle. The system remains unavailable until a wheel identical in size to the other wheels has been fitted and the resetting procedure has been carried out.

# TYRE PRESSURE MONITOR (1/5)



If the vehicle is equipped with the function, this system monitors the tyre pressure.

## Operating principle

Each wheel (except for the emergency spare wheel) has a sensor in the inflation valve which periodically measures the tyre pressure.

The system displays the current pressures on the instrument panel **1** and alerts the driver in the event of insufficient pressure.

## Resetting the standard level for the tyre pressures

This should be done:

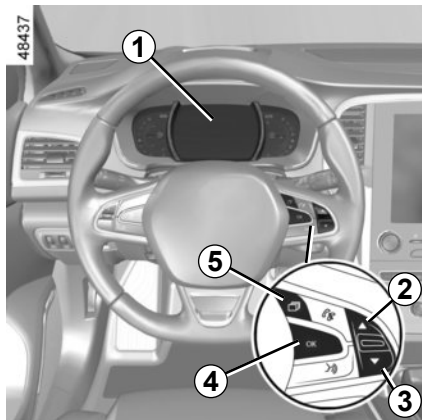
- when the standard tyre pressure needs to be changed to adapt to usage conditions (empty, carrying a load, motorway driving, etc.);
- after swapping a wheel (however this practice is not recommended);
- after changing a wheel.

It should always be done after checking the tyre pressure of all four tyres when cold.

Tyre pressures must correspond to the current usage of the vehicle (empty, carrying a load, motorway driving, etc.).

If the vehicle is equipped with a navigation system, the resetting procedure may also be carried out using the multimedia screen: please see the equipment instructions.

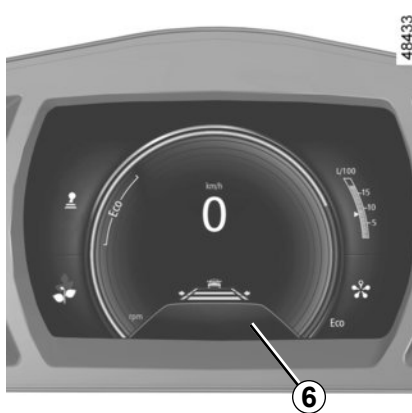
## TYRE PRESSURE MONITOR (2/5)



### Resetting procedure

Ignition on, **vehicle stopped**:

- briefly press the **5** switch until you reach the **6** instrument panel **1** area;
- briefly press the **2** or **3** switch to reach the “Tyre Pressure” page;



- press and hold (around 3 seconds) the button **4** to launch the reset. The flashing tyres followed by the messages “Learning Tyre Pressures” and then “Tyres location in progress” indicates that the reset request for the tyre pressure reference value has been acknowledged.

Reset can take several minutes of driving.

If the resetting is followed by short trips, the message “Tyres location in progress” can remain displayed after successive restarts.





**Note:** the standard tyre pressure cannot be less than that recommended and indicated on the door frame.



For your safety, the warning light **STOP** requires you to stop immediately as soon as traffic conditions allow.

## TYRE PRESSURE MONITOR (3/5)

The table below shows the possible messages related to the tyre resetting procedure.

Steps	Displays	Messages	Readings
1		Tyre pressure init. long press	With the ignition on and the vehicle stationary, start the resetting the pressure of all four tyres by pressing and holding the 4 OK switch.
2		Learning Tyre Pressures	The “---” quote marks in front of each wheel will flash to indicate that the system has registered the tyre pressure reset for all four wheels.
3		Tyres location in progress	The “---” quote marks in front of each wheel will remain lit. This system resets the tyre pressure of all four tyres. You can now drive. The message may remain displayed during short journeys. <b>Note:</b> during the reset, tyre pressure monitoring remains in operation.
4			The pressure value of the four tyres is displayed: the resetting procedure is complete and successful.

## TYRE PRESSURE MONITOR (4/5)

### Readjustment of tyre pressures

The tyre pressures should be adjusted when cold (please refer to the label located on the edge of the driver's door). If the tyre pressures cannot be checked when the tyres are cold, the recommended pressures should be increased by 0.2 to 0.3 bar (3 PSI).

**Never deflate a hot tyre.**



This function is an additional driving aid.

The function does not take the place of the driver. It cannot, therefore, under any circumstances replace the vigilance or the responsibility of the driver. Check the tyre pressures, including the emergency spare wheel, once a month.

### Replacing wheels/tyres

This system requires specific equipment (wheels, tyres, hubcaps, etc.). Please see the information on "Tyres" in Section 5.

Contact an approved Dealer to fit new tyres and to find out about available accessories compatible with the system and available from your dealer network: the use of any other accessory could affect the correct operation of the system or damage a sensor.

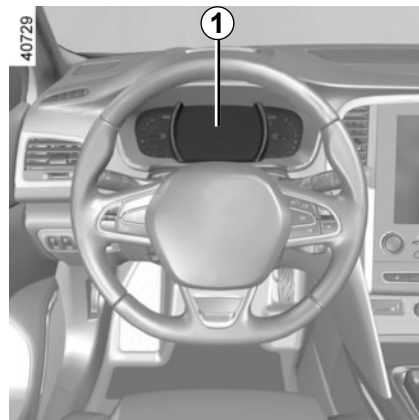
### Emergency spare wheel

If the vehicle is equipped with an emergency spare wheel, it will not have a sensor.



### Changing a wheel

The system may take several minutes depending on use for the new wheel positions and pressures to be recognised; check the tyre pressures after all operations.



### Tyre repair product and inflation kit


Because the valves are specially designed, only use equipment approved by the approved network. Please refer to "Tyre inflation kit" in Section 5.





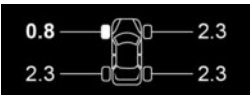





### Tyre pressure faults

The table on the following page lists the warning messages which appear on the instrument panel **1** when the system detects a tyre pressure fault.



## TYRE PRESSURE MONITOR (5/5)

The information on the instrument panel signals any potential tyre pressure faults (e.g. deflated or punctured tyre). For your safety, the warning light  requires you to stop immediately as soon as traffic conditions allow.

Indicator lights	Messages	Displays	Readings
	Adjust Tyre Pressure		The wheel and associated pressure value are displayed in yellow. This indicates that tyre under-inflation has been detected. Check and adjust the pressure of the four tyres then reset the system.
 + 	Puncture		The wheel and associated pressure value are displayed in red. This indicates that the tyre concerned is punctured or severely underinflated. Adjust the pressure of the four tyres while cold and reset the system if the tyre is deflated. Replace the tyre (or have it replaced) if it is punctured.
 + 	Check Tyre Pressure Sensors		A wheel is no longer displayed. This indicates that at least one wheel is not fitted with a sensor (e.g. emergency spare wheel) or that the sensor is faulty. Consult an approved dealer.
	Tyre Detection Failure		This indicates that the system has not been able to determine the pressure of each tyre. This may be caused by the use of a sensor not recommended by an approved dealer. The tyre pressure sensor monitoring system remains in operation.

## DRIVER CORRECTION DEVICES AND AIDS (1/10)

- ABS (anti-lock braking system);
- ESC (electronic stability control) with understeer control and traction control;
- emergency brake assist;
- active emergency braking;
- hill start assistance;
- rear wheel steering.

Other driving assistance systems are detailed on the following pages.



These functions are an additional aid in the event of critical driving conditions, enabling the vehicle behaviour to be adapted to suit the driving conditions.

The functions do not take the place of the driver. **They do not increase the vehicle's limits and should not encourage you to drive more quickly.** Therefore, they can under no circumstances replace the vigilance or responsibility of the driver when manoeuvring the vehicle (the driver must always be ready for sudden incidents which may occur when driving).

## ABS (anti-lock braking system)

Under heavy braking, the ABS prevents the wheels from locking, allowing the stopping distance to be managed and keeping control of the vehicle.







Under these circumstances, the vehicle can be steered to avoid an obstacle whilst braking. In addition, this system can increase stopping distances, particularly on roads with low surface grip (wet ground etc.).

You will feel a pulsation through the brake pedal each time the system is activated. The ABS does not in any way improve the vehicle's physical performance relating to the road surface and roadholding. It is still **essential** to follow the rules of good driving practice (such as driving at a safe distance from the vehicle in front etc.).

In an emergency, apply **firm and continuous pressure** to the brake pedal. There is no need to pump it repeatedly. The ABS will modulate the force applied in the braking system.


## DRIVER CORRECTION DEVICES AND AIDS (2/10)

### Operating faults:

-  and  lit up on the instrument panel accompanied by the messages “Check ABS”, “Check braking system” and “Check ESC”: this indicates that the ABS, the ESC and the emergency brake assist are disabled. **Braking is always enabled;**
- , ,  and  lit on the instrument panel accompanied by the message “Braking system fault”: **this indicates a fault with the braking system.**

In both cases, consult an approved dealer.



Warning light  requires you to stop immediately, for your own safety, as soon as traffic conditions allow. Switch off the engine and do not restart it. Contact an approved Dealer.



Your braking systems are partially operational. However, it is **dangerous to brake suddenly** and it is essential to stop immediately, as soon as traffic conditions allow. Contact an approved dealer.

## DRIVER CORRECTION DEVICES AND AIDS (3/10)

### Electronic stability control ESC with understeer control and traction control

#### Electronic stability control ESC

This system helps you to keep control of the vehicle in critical driving conditions (avoiding an obstacle, loss of grip on a bend, etc.).

#### Operating principle

A sensor in the steering wheel detects the direction selected by the driver.

Other sensors throughout the vehicle measure the actual direction.

The system compares driver input to the actual trajectory of the vehicle and corrects the trajectory if necessary by controlling the braking of certain wheels and/or engine power. In the event that the system is engaged, indicator light



flashes on the instrument panel.

#### Understeer control

This system optimises the action of the ESC in the case of pronounced understeer (loss of front axle road holding).

#### Traction control

This system helps to limit wheelspin of the drive wheels and to control the vehicle when pulling away accelerating or decelerating.

#### Operating principle

Using the wheel sensors, the system measures and compares the speed of the drive wheels at all times and slows down their over-rotation. If a wheel is starting to slip, the system brakes automatically until the drive supplied becomes compatible with the level of grip under the wheel again.

The system also adjusts the engine speed to the grip available under the wheels, independently of the pressure exerted on the accelerator pedal.

#### Operating faults

When the system detects an operating fault the message "Check ESC" and

warning light  and  appear on the instrument panel.

In this case, the ESC and traction control system are deactivated. Consult an authorised dealer.

# DRIVER CORRECTION DEVICES AND AIDS (4/10)

## Emergency brake assist

This system supplements the ABS and helps reduce vehicle stopping distances.

### Operating principle

The system is for detecting an emergency braking situation. In this case, the braking assistance immediately develops maximum power and may trigger ABS regulation.

ABS braking is maintained as long as the brake pedal is applied.

### Hazard warning lights switching on

Depending on the vehicle, these may light up in the event of sudden deceleration.

## Braking anticipation


Depending on the vehicle, when you rapidly release the accelerator, the system anticipates the braking manoeuvre in order to reduce stopping distances.

### Special cases

When using the cruise control:

- if you use the accelerator, when you release it, the system may be triggered;
- if you do not use the accelerator, the system will not be triggered.

### Operating faults

When the system detects an operating fault the message “Check braking system” appears on the instrument panel along with the  warning light.

Consult an approved dealer.

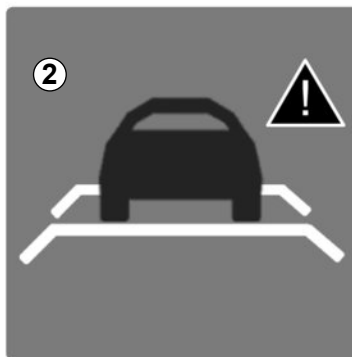
## DRIVER CORRECTION DEVICES AND AIDS (5/10)



### Active emergency braking

Using the sensor **1**, the system calculates the distance separating the vehicle from the one in front and alerts the driver if there is a risk of a front-end collision. The driver can then brake the vehicle to limit the damage arising from a collision.

**Note:** Make sure that the sensor **1** is not obscured (by dirt, mud, snow, etc.).



### Operation

When driving (speed between 19 and 87 mph (30 and 140 km/h) or depending on the vehicle, 93 mph (150 km/h)), if there is a risk of collision with the vehicle in front, depending on the vehicle:

- the warning light  is displayed in red on the instrument panel, accompanied by a beep;

or

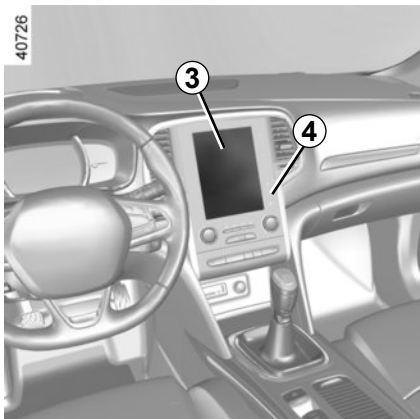
- the indicator **2** is displayed in red on the instrument panel and, depending on the vehicle, on the head up display, accompanied by a beep.

If the driver depresses the brake pedal and the system still detects a risk of collision, the brake force is increased.

If the driver fails to react following an alert of an imminent collision, the system activates the brakes.

The system only detects vehicles driving in the same direction of traffic. The system cannot detect motorcycles because of the difficulty in forecasting their trajectory.

## DRIVER CORRECTION DEVICES AND AIDS (6/10)

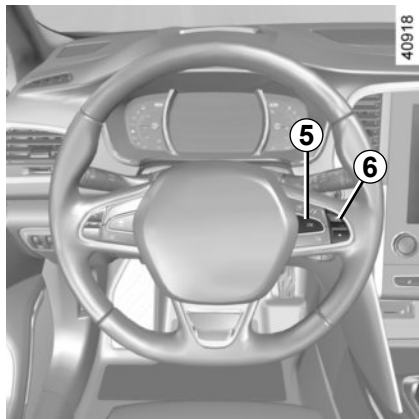


### Activating or deactivating the system

#### For vehicles fitted with a navigation system

From the multimedia screen **3**, select the "Vehicle" menu, "Driving assistance", "Active braking" then choose "ON" or "OFF".

You can access menu "Driving assistance" directly from button **4**



### For vehicle not fitted with a navigation system

- With the vehicle at a standstill, press and hold the switch **5 OK** to access the settings menu,
- repeatedly press the control **6** up or down until you reach the "Driving assistance" menu. Press the switch **5 OK**;
- repeatedly press control **6** up or down until you reach the "Active braking" menu, then press the switch **5 OK**.

Press the switch **5 OK** again to activate or deactivate the function:



function activated



function deactivated

The warning light  is displayed on the instrument panel when the system is deactivated.

This system is reactivated each time the ignition is switched on.

### Conditions for non-activation of the system

The system cannot be activated:

- when the gear lever is in neutral;
- when the parking brake is activated;
- while cornering.

## DRIVER CORRECTION DEVICES AND AIDS (7/10)

### Operating faults

When the system detects an operating fault, the  warning light lights up on the instrument panel, with the message “Active braking disconnected”.

There are two possibilities:

- The system is temporarily experiencing difficulties (for example: sensor obscured by dirt, mud, snow etc.); in this case, park the vehicle and switch off the engine. Clean the detection zone of the radar. When you next start the engine, the warning light and the message go out;
- If this is not the case, this may arise from another cause; contact an Approved Dealer.



### Active emergency braking

This function is an additional driving aid. This function is not under any circumstances intended to replace the due care and attention of the driver, who should at all times be in control of the vehicle.

### System servicing/repairs

- In the event of an impact, the sensor alignment may become changed, and its operation will consequently be affected. Deactivate the function, then consult an authorised dealer.
- Any work in the area where the radar is located (repairs, replacements, touching up of paintwork) must be carried out by a qualified professional.

Only an authorised dealer is qualified to service the system.

### In the event of system disturbance

Some conditions can disturb or damage the operation of the system, such as:

- a complex environment (metal bridge, etc.);
- poor weather conditions (snow, hail, black ice, etc.).

Risk of inadvertent braking.





### **Active emergency braking**

#### **Limitation of the system operation**

- The system will only respond to vehicles which are moving or which have been sensed as moving.
- A vehicle travelling in the opposite direction will not trigger any alert or any action on the system operation.
- The sensor area should be kept clean and free of any modifications in order to ensure the proper operation of the system.
- The system cannot respond to small vehicles such as motorbikes or bicycles as effectively as to other vehicles.

#### **Deactivating the function**

You must disable the function if:

- the brake lights are not functioning;
- the front of the vehicle has undergone an impact or been damaged;
- the vehicle is being towed (breakdowns).

#### **Halting the function**

You can halt the active braking function at any time by tapping the accelerator pedal or by turning the steering wheel in a avoidance manoeuvre.

If the driver notices any unusual behaviour in the system, please consult an authorised dealer.

# DRIVER CORRECTION DEVICES AND AIDS (9/10)

## Hill start assistance

Depending on the gradient of the incline, this system assists the driver when starting on a hill. It prevents the vehicle from rolling backwards by automatically applying the brakes when the driver lifts his/her foot off the brake pedal to depress the accelerator pedal.

### System operation

It only operates when the gear lever is in a position other than neutral (other than **N** or **P** for automatic transmissions) and the vehicle is completely stationary (brake pedal depressed). The system holds the vehicle for approximately **2 seconds**. The brakes are then released (the vehicle will move according to the slope).



The hill start assistance system cannot completely prevent the vehicle from rolling backwards in all situations (extremely steep gradients, etc.).

In all cases, the driver may depress the brake pedal to prevent the vehicle from rolling backwards.

The hill start assistance function should not be used for prolonged stops: use the brake pedal.

This function is not designed to immobilise the vehicle permanently.

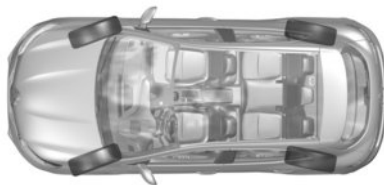
If necessary, use the brake pedal to stop the vehicle.

The driver must remain particularly vigilant when driving on slippery or low-grip surfaces and/or on hills.

Risk of serious injury.

# DRIVER CORRECTION DEVICES AND AIDS (10/10)

A



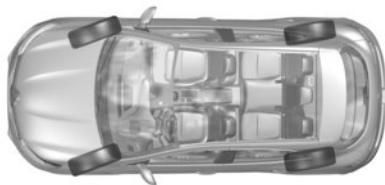
40791

## Rear wheel steering

On equipped vehicles, this system, when the vehicle is being driven, steers the rear wheels according to driving conditions: at low speed this system offers manoeuvrability, at higher speeds it optimises stability.

When driving at low speeds, the rear wheels steer in the opposite direction to the front wheels (figure **A**) to increase the vehicle's manoeuvrability. This is used when driving in towns, on winding roads, during parking manoeuvres, etc.

B





40790

When driving at higher speeds, the rear wheels steer in the same direction as the front wheels (figure **B**) to optimise the vehicle's stability. This is useful when changing lanes or when cornering etc.

**Note:** The system configuration (agility, etc.) depends on the mode selected in the "Multi-sense" menu (please refer to the information on "Multi-sense" in Section 3).

## Operating faults

- If the  warning light, together with the message "WARNING: Check Power Steering", is displayed on the instrument panel: please contact an authorised dealer.
- If the warning light , together with the message "Power steering fault", is displayed on the instrument panel, **this indicates a fault in the system.**



**STOP** requires you to stop as soon as traffic conditions allow. Contact an approved Dealer.

An impact to the underside of the vehicle (e.g.: striking a post, raised kerb or other street furniture) may result in damage to the vehicle (e.g.: deformation of an axle).

To avoid any risk of accident, have your vehicle checked by an approved Dealer.

## LANE DEPARTURE WARNING (1/3)

This system notifies the driver when they accidentally cross a continuous or broken line.

This function uses a camera attached to the windscreen, behind the rear-view mirror.



This function is an additional driving aid. This function is not under any circumstances intended to replace the due care and attention of the driver, who should at all times be in control of the vehicle.

### **System servicing/repairs**

- In the event of an impact, the camera alignment may be changed, and its operation may consequently be affected. Deactivate the function, then consult an authorised dealer.
- Any work in the area where the camera is located (repairs, replacements, windscreen modifications etc.) must be carried out by a qualified professional. Only an authorised dealer is qualified to service the system.

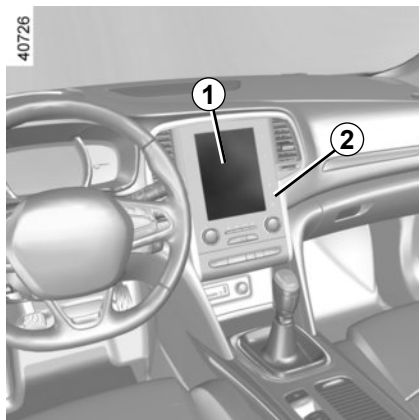
### **In the event of system disturbance**

Some conditions can disturb or damage the operation of the system, such as:

- a complex environment (tunnel etc.);
- poor weather conditions (snow, hail, black ice etc.);
- poor visibility (night, fog etc.);
- road markings which are worn, lacking in contrast or very widely spaced from one another (lines partially erased etc);
- being dazzled (glaring sun, lights of vehicles travelling in the opposite direction etc.);
- the road is narrow, winding or undulating (tight bends etc.);
- closely following a vehicle travelling in the same lane.

### **Risk of false alarms or absence of warnings**

## LANE DEPARTURE WARNING (2/3)

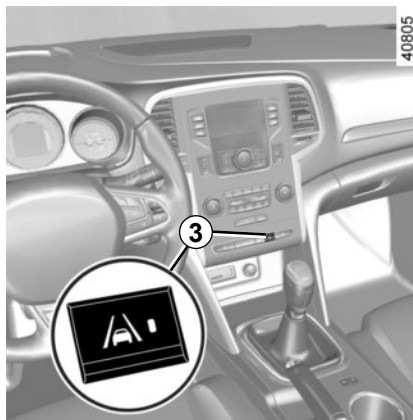


### Activation/deactivation

#### Vehicles fitted with a navigation system

From the multimedia screen **1**: select the "Vehicle" menu, "Driving assistance", "Lane departure warning" then choose "ON" or "OFF".

You can access menu "Driving assistance" directly from button **2**

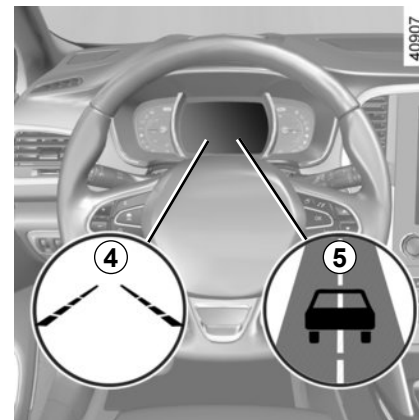


#### Vehicles not fitted with a navigation system

Press the switch **3**.

### Operation

When the function is activated, the visibility indicators **4** for the left and right lines are displayed in grey on the instrument panel.

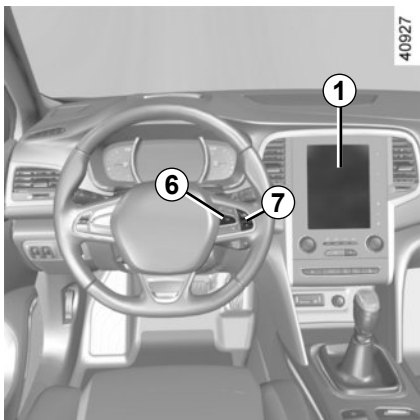


#### The function is set to notify the driver if:

- the vehicle speed is greater than approximately 45 mph (70 km/h); and
- lines are detected and the visibility indicators **4** are, depending on the vehicle, green or white.

**The function triggers an alert if** a line is crossed without the direction indicators being activated. The function alerts the driver by means of a beep and, depending on the vehicle, the visibility indicators **4** change to red, or the graphic **5** is displayed on the instrument panel.

## LANE DEPARTURE WARNING (3/3)



### Conditions for non-activation of alerts

- Direction indicators activated for less than around 2 seconds prior to departing from the lane;
- very fast lane departure;
- driving continuously on a line;
- on bends, the function allows for slightly cutting the bend;
- hazard warning lights activated;
- ...

### Adjustment

#### Vehicles fitted with a navigation system

From the multimedia screen **1**, select “Vehicle”, “Driving assistance”, “Lane departure warning setting”.

- “Volume”: Adjust the alert volume to one of five levels;
- “Sensitivity”: adjust the sensitivity level for line detection. To do this, select:
  - “Low” line detected upon crossing;
  - “Middle” line detected on approach;
  - “High” line detected nearby.

#### Vehicles not fitted with a navigation system

- With the vehicle at a standstill, press and hold the switch **6 OK** to access the settings menu;
- repeatedly press the control **7** up or down until you reach the “Driving assistance” menu. Press the switch **6 OK**;

- repeatedly press the control **7** up or down until you reach the Lane departure warning setting menu, then press the switch **6 OK**.
- “Audio volume”: Adjust the alert volume to one of three levels;
- “Sensitivity”: adjust the sensitivity level for line detection. To do this, select:
  - “Low” line detected upon crossing;
  - “Average” line detected on approach;
  - “high” line detected nearby.

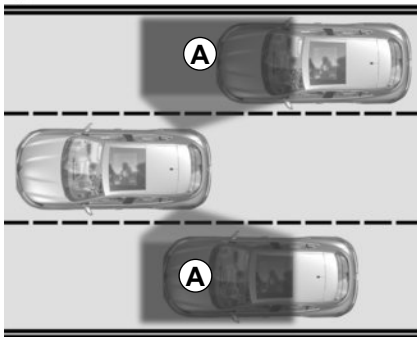
### Operating faults

In the event of a malfunction, a message “Lane departure warning check” is displayed on the instrument panel, and the visibility indicators for the left and right lines disappear from the instrument panel.

Consult an approved dealer.

# BLIND SPOT WARNING (1/4)

40802

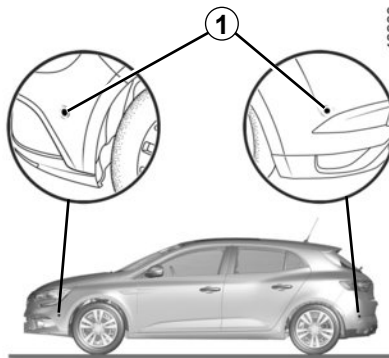


This system alerts the driver to other vehicles in the detection zone **A**.

The system is activated when the vehicle's speed is between approximately 30 km/h (19 mph) and 140 km/h (87 mph).

This function uses sensors **1** installed in the front and rear bumper of both sides.

40803



## Special feature

Make sure that the sensors are not obscured (by dirt, mud, snow, etc.). If a sensor is obscured, the message "Blind spotclean sensor" will appear on the instrument panel. Clean the sensors.

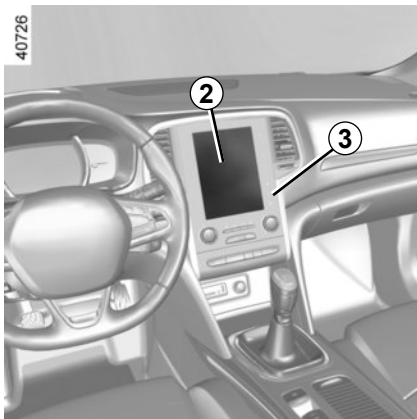


This function is an additional aid which indicates other vehicles in the blind spot area.

It can never in any case be a substitute for care nor for the driver's responsibility while in charge of his vehicle.

The driver should always be ready for sudden incidents while driving: always ensure that there are no small, narrow moving obstacles (such as a child, animal, pushchair, bicycle, stone, post etc.) in the blind spot when manoeuvring.

## BLIND SPOT WARNING (2/4)

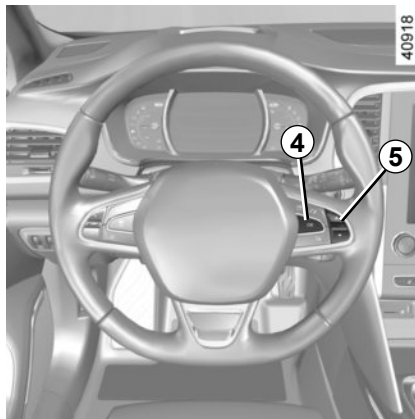


### Activation/deactivation

#### Vehicles fitted with a navigation system

From the multimedia screen **2**, select the “Vehicle” menu, “Driving assistance”, “Blind spot alert” then choose “ON” or “OFF”.

You can access menu “Driving assistance” directly from button **3**



#### Vehicles not fitted with a navigation system

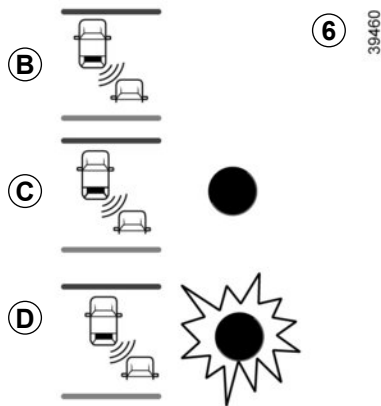
- With the vehicle at a standstill, press and hold the switch **4 OK** to access the settings menu;
- repeatedly press the control **5** up or down until you reach the “Driving assistance” menu. Press the switch **4 OK**;

- repeatedly press the control **5** up or down until you reach the Blind spot alert menu, then press the switch **4 OK**.
- Press the switch **4 OK** again to activate or deactivate the function.

When the engine is started, the system remembers its position when the ignition was last switched off.



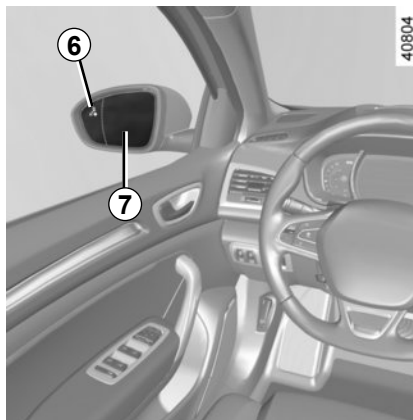
## BLIND SPOT WARNING (3/4)



### Indicator 6

An indicator light **6** is located on each door mirror **7**.

**Note:** clean the rear view mirrors **7** regularly so that the indicators **6** can be seen.



### Operation

This function will indicate:

- when the vehicle speed is between approximately 30 km/h (19 mph) and 140 km/h (87 mph);
- when another vehicle is in the blind spot area and travelling in the same direction as your vehicle.

If another vehicle is being overtaken, the indicator **6** will be activated only if that vehicle remains in the blind spot for more than one second.

### Display B

The function is activated and has not detected any vehicles.

### Display C

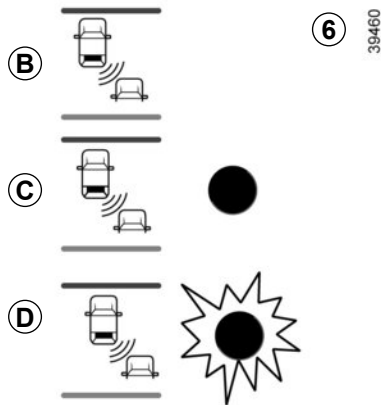
First warning: the indicator **6** means that a vehicle has been detected in the blind spot.

### Display D

When the direction indicator is activated, the indicator light **6** flashes when a vehicle is detected in the blind spot on the side towards which you are about to steer. If you cancel the direction indicator, the function will return to the initial warning (display **C**).

The system's detection range operates according to a standard lane width. If you are driving in narrow traffic lanes, it may detect vehicles in other lanes.

## BLIND SPOT WARNING (4/4)



### Conditions for non-function

- If the object is not moving;
- if traffic is heavy;
- the road is winding;
- if front and rear sensors both detect objects at the same time (e.g. when passing an articulated lorry).
- ...

### Operating faults

If the system detects a fault, the message “Check blind spot alert” is displayed on the instrument panel. Consult an approved dealer.

**Note:** when the engine is started, the indicator light ⑥, display **B**, flashes three times. It is normal.



- The system's detection range operates according to a standard lane width. If you are driving in wide traffic lanes, the system might not be able to detect a vehicle in the blind spot.
- The system might be disrupted momentarily if it is exposed to strong electromagnetic waves (as beneath high-tension power lines) or to very poor weather conditions (heavy rain, snow, etc.). Remain aware of driving conditions.

**There is a risk of accidents.**



Because sensors have been installed in the bumpers, any work (repairs, replacements, touching up of paintwork) must be carried out by a qualified professional.

## SAFE DISTANCE ALERT (1/2)



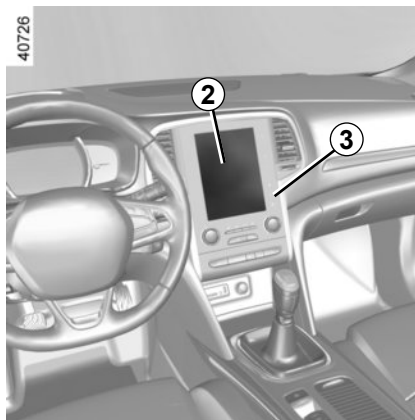
40783

Using the sensor **1**, this function notifies the driver about the time interval separating them from the vehicle in front, so they can respect a safe distance between the two vehicles.

**Note:** make sure that the sensor **1** is not obscured (by dirt, mud, snow, etc.).

The function is activated when the vehicle speed is between about 20 and 125 mph (30 and 200 km/h).

When the engine is started, the function maintains the same status that was active when the engine was last stopped.



40726

### Activating/deactivating the function

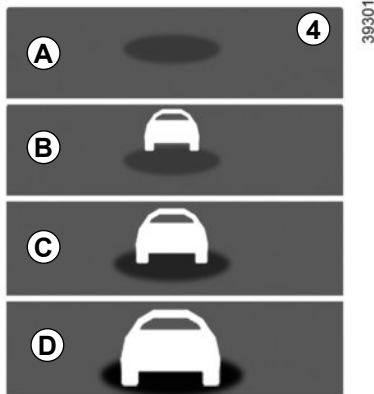
From the multimedia screen **2**, select the "Vehicle" menu, "Driving assistance", "Distance warning" then choose "ON" or "OFF".

You can access menu "Driving assistance" directly from button **3**



This function is an additional driving aid. However, this function is not under any circumstances intended to replace the due care and attention of the driver, who should at all times be in control of the vehicle.

## SAFE DISTANCE ALERT (2/2)



### Operation

Upon activating the function, indicator **4** notifies the driver of the distance separating them from the vehicle in front.

- **A** (grey): function not operational;
- **A** (green): no vehicle detected;
- **B** (green): the time interval is greater than or equal to around two seconds (distance between the two vehicles adapted to your speed);

- **C** (orange): the time interval falls between around 1 and 2 seconds (insufficient distance between the two vehicles);
- **D** (red): the time interval is less than or equal to around one second (very insufficient distance between the two vehicles).

If the interval between the two vehicles is less than around 0.5 seconds, warning light **4** will flash on the instrument panel. Under certain conditions, the time interval may not be displayed:

- while cornering;
- when changing lane;
- if the vehicle in front is sufficiently far or outside the range of the sensor.

On equipped vehicles, some information is given on the head-up display.

This function is essential if adaptive cruise control is activated.



The measurement is displayed for information only: the system performs no action on the vehicle.

This function is not designed for use in urban conditions or for a dynamic driving style (sudden cornering, acceleration, braking, etc.), but rather for stable driving conditions.

The function does not interact with the braking system.

The sensor area should be kept clean and free of any modifications in order to ensure the proper operation of the system.

Any work in the area where the radar is located (repairs, replacements, touching up of paintwork) must be carried out by a qualified professional.

## FATIGUE DETECTION WARNING (1/2)

The fatigue detection warning is a function which is useful on monotonous roads (motorways, high-speed roads etc.).

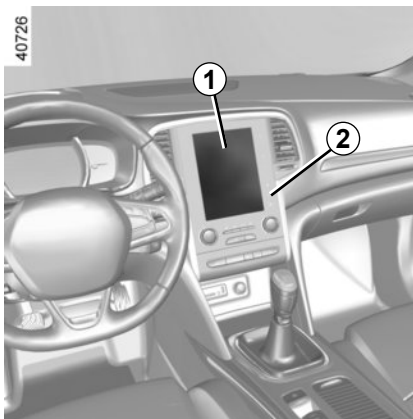
It analyses driver behaviour and takes account of events to inform you of any risk of fatigue such as:

- steering wheel movement;
- driver actions on other devices (indicators, windscreen washer etc.);
- time spent driving without stopping;
- ...



This function is an additional driving aid in case of risk of fatigue. This function does not take the place of the driver.

Under no circumstances should this function replace the driver's care or responsibility whilst driving.



### Activation/deactivation

#### Vehicles fitted with a multimedia system

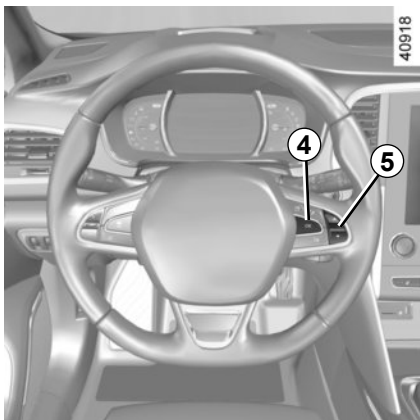
From the multimedia screen **1**, select the "Vehicle" menu, "Driving assistance", "Fatigue detection warn." then choose "ON" or "OFF".

When the engine is started, the system remembers its position when the ignition was last switched off.

You can access menu "Driving assistance" directly from button **2**



## FATIGUE DETECTION WARNING (2/2)



### Vehicles not fitted with a multimedia system

- With the vehicle at a standstill, press and hold the switch **4 OK** to access the settings menu;
- repeatedly press the control **5** up or down until you reach the “Driving assistance” menu. Press the switch **4 OK**;

- repeatedly press control **5** up or down until you reach the “Fatigue detection warn.” menu, then press the switch **4 OK**.
- Press the switch **4 OK** again to activate or deactivate the function.

### Operation

#### The function is set to notify the driver if:

- the vehicle speed is greater than approximately 37.2 mph (60 km/h); and
- Approximately 15 minutes have passed since the deletion of the previous warning.

#### The function triggers an alert if the system detects repeated signs of fatigue in the driver at the steering wheel.

When a risk of fatigue is detected, the message “Fatigue warning have a break” is displayed on the instrument panel accompanied by a beep.

Press switch **4 OK** to delete the warning.

It is advisable to stop as soon as possible for a break.

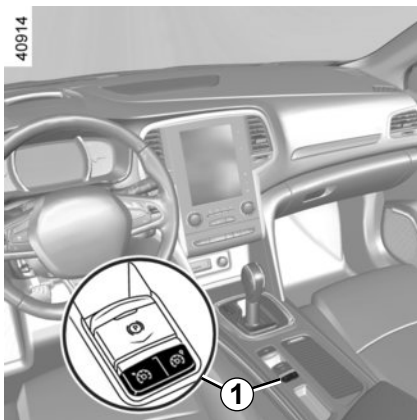
### Note:

- if the warning is not deleted by pressing switch **4 OK**, the beep repeats;
- the function may interpret certain driving styles as a sign of tiredness (sporty driving, incorrect driving etc.) or driving along a road which is in poor condition.

### Operating faults

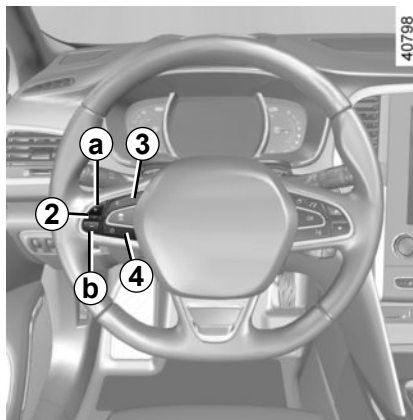
If the system detects a fault, the message “Check fatigue warning” is displayed on the instrument panel. Call an approved Dealer.

## SPEED LIMITER (1/3)



The speed limiter function helps you stay within the driving speed limit that you choose, known as the **limit speed**.

If you wish, you can associate the speed limiter and the “Overspeed alert” function (please refer to the information on the “Overspeed alert” in Section 2).



### Controls

- 1 Main “On/Off” switch.
- 2 Controls for:
  - a speed limiter activation, memory and increase(+);
  - b decreasing the speed limiter(-).
- 3 Activation and recall of memorised limited speed (R).
- 4 Speed limiter function standby (with limited speed memory) (O).

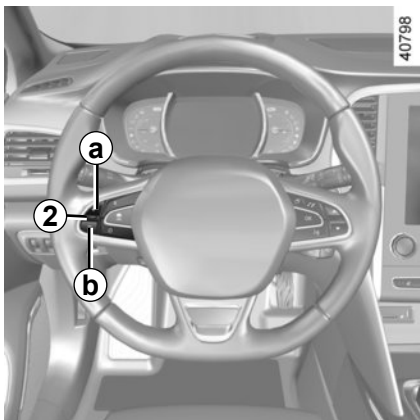
### Switching on

Press switch **1** on side (☺). Depending on the vehicle, the warning light (☺) or (☺) is orange and the message “Speed limiter” appears on the instrument panel accompanied by dashes to indicate that the speed limiter function is activated and waiting to memorise a limit speed.

To store the current speed, press switch **2** on side **a** (+): the limited speed will replace the dashes.

The minimum stored speed is 20 mph (30 km/h).

## SPEED LIMITER (2/3)



### Driving

When a limited speed has been stored and this speed is not reached, driving is similar to driving a vehicle without the speed limiter function.

Once you have reached the stored speed, no effort on the accelerator pedal will allow you to exceed the programmed speed except in an emergency (refer to information on “Exceeding the limit speed”).

### Varying the limit speed

The speed limiter can be changed by repeatedly pressing switch **2** :

- side **a** (+) to increase the speed;
- side **b** (-) to reduce the speed.

### Exceeding the limit speed

It is possible to exceed the limit speed at any time. To do this: press the accelerator pedal **firmly and fully** (beyond the resistance point).

While the speed is being exceeded, the programmed speed displayed on the instrument panel flashes.

Then, release the accelerator: the speed limiter function will return as soon as you reach a speed lower than the stored speed.

### Limited speed cannot be maintained

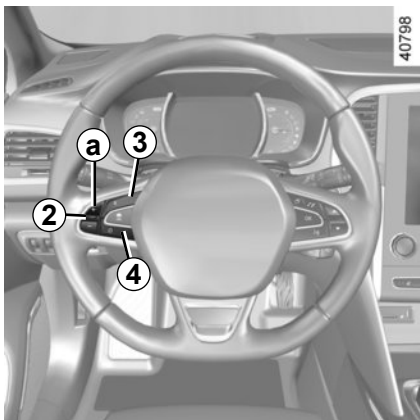
When driving down a steep gradient, the system is unable to maintain the limit speed: the memorised speed will flash on the instrument panel and an audible signal sounds at regular intervals to inform you of this situation.



The speed limiter function is in no way linked to the braking system.



## SPEED LIMITER (3/3)



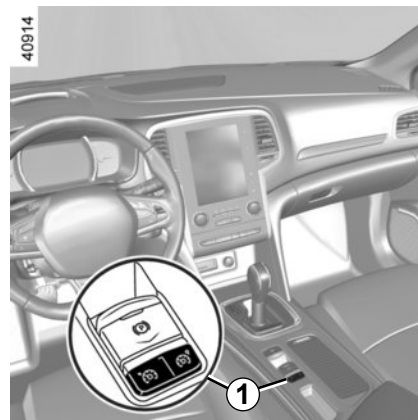
### Putting the function on standby

The speed limiter function is suspended when you press switch **4** (O). In this case, the limit speed remains stored and the message "Memorised" accompanied by this speed appears on the instrument panel.

### Recalling the limit speed

If a speed has been stored, it can be recalled by pressing switch **3** (R).

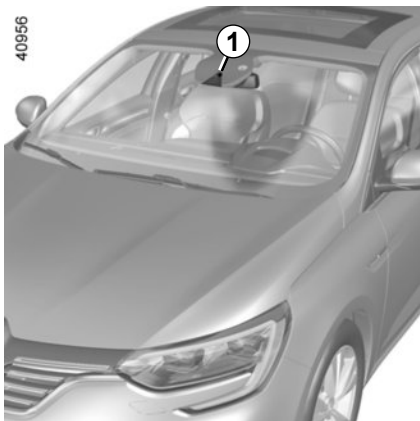
When the speed limiter is put on standby, pressing side **a** (+) on switch **2** reactivates the function without taking into account the stored speed: it is the speed at which the vehicle is moving that is taken into account.



### Switching off the function

The speed limiter function is deactivated if you press switch **1**: in this case a speed is no longer stored. The switching off, depending on the vehicle, of the orange warning light (☞) or (☞) on the instrument panel confirms that the function is off.

## OVERSPEED ALERT (1/3)



The overspeed alert with signage panel recognition notifies the driver that they are exceeding the speed limit for the section of road on which they are currently travelling.

### Operating principle

The system detects speed limit signs on the side of the road and displays the speed limit.

It mainly uses information taken from the camera **1**, attached to the windscreen behind the rear-view mirror.

**Note:** Make sure the windscreen is not obstructed (dirt, ice, snow, etc.).

For vehicles which are equipped with it, the system also uses information from the navigation system.

Once the speed limiter is activated, you can adjust the speed limiter indication displayed by the system.

In the event of exceeding the speed limit, the sign display is modified (the characters change to red or the circle around the sign flashes) no notify you.

On equipped vehicles, some information is given on the head-up display.

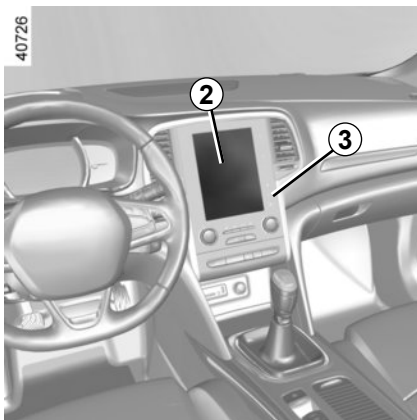
For vehicles equipped with a navigation system and if the vehicle is travelling in a country where the speed units differ from those of the vehicle, the system displays the speed limit sign in the unit of the country, alongside the speed limit converted to the unit used by the vehicle's instrument panel.

For countries where the speed limit is reduced during rainy weather on some types of roads, on vehicles equipped with a navigation system, the system can modify the limited speed after a few seconds of wiping the windscreen.

### Special situations

The system does not take into account exceptional speed limit measures, such as peak pollution days.

## OVERSPEED ALERT (2/3)

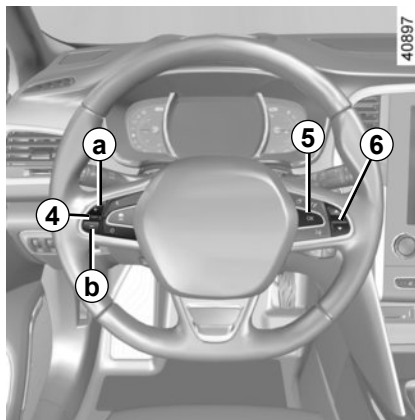


### Activating/deactivating the system

#### Vehicles fitted with a navigation system

From the multimedia screen **2**, select the “Vehicle” menu, “Driving assistance”, “Speed alert settings” then choose “ON” or “OFF”.

You can access menu “Driving assistance” directly from button **3**



With the function activated and depending on local laws, you can activate the “increased vigilance zones”. The system will notify you of the distance separating you from this zone, and while you are travelling in the zone.

#### Vehicles not fitted with a navigation system

- With the vehicle at a standstill, press and hold the switch **5 OK** to access the settings menu;
- repeatedly press the control **6** up or down until you reach the “Driving assistance” menu. Press the switch **5 OK**;

- repeatedly press the control **6** up or down until you reach the Speed alert menu, then press the switch **5 OK**.
- Press **OK** to turn the function on or off.

### Varying the limit speed

If the speed limiter notification differs from the detected speed value, press and hold the switch **4**:

- side **a** (+) to increase the notification speed to the detected speed;
- side **b** (-) to reduce the notification speed to the detected speed.

## OVERSPEED ALERT (3/3)

### Operating faults

The system cannot detect the speed limit if:

- the windscreen is not clean;
- the camera is blinded by the sun;
- there is insufficient visibility (night, fog, etc.);
- the signs are not legible (snow, etc.) or are hidden (by another vehicle or by trees);
- the information taken from the navigation system is not up to date.



This function is an additional driving aid. This function is not under any circumstances intended to replace the due care and attention of the driver, who should at all times be in control of the vehicle.

The driver should always adapt their speed to the traffic conditions, regardless of the system indications.

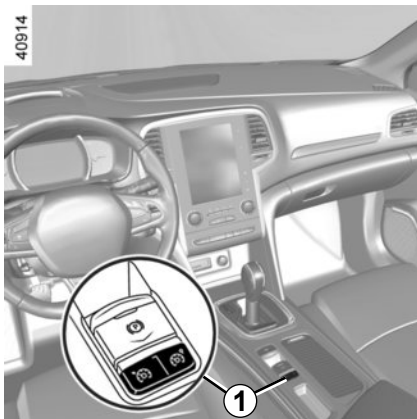
The system enables maximum speed signs to be detected and does not detect other traffic signage.

The driver should not, however, ignore signs which are not detected by the system and should as a priority comply with the traffic signage and the highway code.

In the event of poor visibility (fog, snow, frost, etc.), it is possible that the system may not indicate the correct speed to the driver.

The driver should always adapt their speed to the traffic conditions, regardless of the system indications.

## CRUISE CONTROL (1/4)

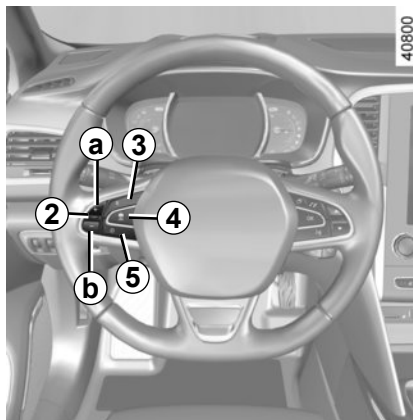


The cruise control function helps you to maintain your driving speed at a speed that you choose, called the **cruising speed**.

This cruising speed may be set at any speed above 20 mph (30 km/h).



The cruise control function is in no way linked to the braking system.



### Controls

- 1 Main “On/Off” switch.
- 2 Controls for:
  - a cruising speed activation, storage and increase (+) ;
  - b decreasing cruising speed (-).
- 3 Activation with recall of saved cruising speed (R).
- 5 Switch the function to standby (with cruising speed saved) (O).

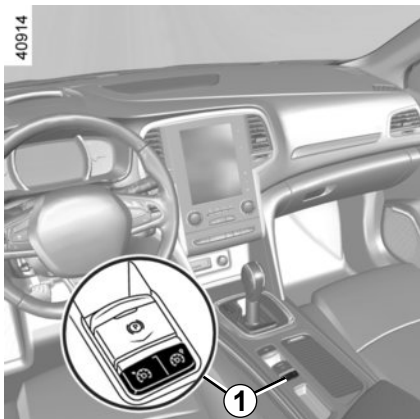
- 4 This control is only activated for vehicles fitted with adaptive cruise control (refer to the information on “adaptive cruise control” in section 2).




This function is an additional driving aid. This function does not take the place of the driver. Therefore, it can under no circumstances replace the driver’s responsibility to respect speed limits and to be vigilant (the driver must always be ready to brake). Cruise control must not be used in heavy traffic, on winding or slippery roads (black ice, aquaplaning, gravel) and during bad weather (fog, rain, side winds etc.).



There is a risk of accidents.

## CRUISE CONTROL (2/4)




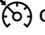
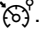
### Switching on

Press switch **1** on side .

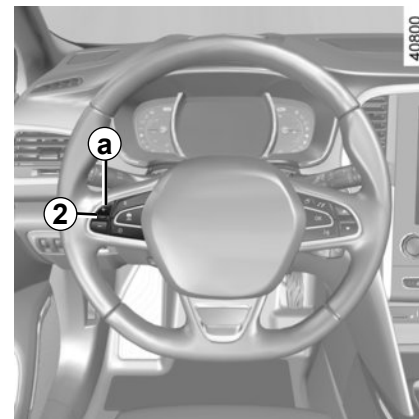
The indicator light  or  comes on, lit green, and the message "Cruise control" appears on the instrument panel, accompanied by dashes to indicate that the cruise control function is activated and waiting to store a cruising speed.

### Activating cruise control

At a steady speed (above approx. 20 mph or 30 km/h), press switch **2** side **a** (+): the function is activated and the current speed is saved.

The cruising speed replaces the dashes and cruise control is confirmed by displaying of the cruising speed, the message "Cruise control" and depending on the vehicle the indicator light , in addition to the indicator light  or .

If you try to activate the function below 20 mph (30 km/h), the message "Invalid speed" will be displayed and the function will remain inactive.



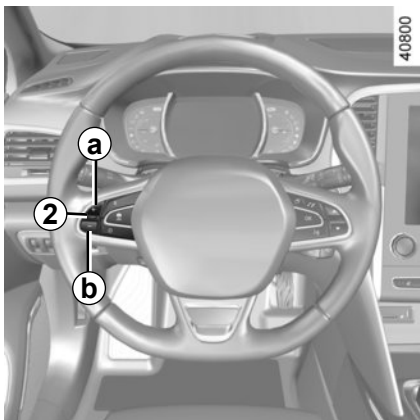
### Driving

Once a cruising speed is memorised and the cruise control function is active, you may lift your foot off the accelerator pedal.



Please note that you are strongly advised to keep your feet close to the pedals in order to react in an emergency.

## CRUISE CONTROL (3/4)



### Adjusting the cruising speed

The cruising speed can be changed by pressing the switch **2** repeatedly:

- side **a** (+) to increase the speed;
- side **b** (-) to reduce the speed.



The cruise control function is in no way linked to the braking system.

### Exceeding the cruising speed

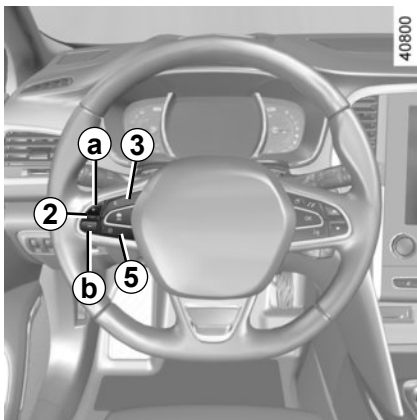
The cruising speed may be exceeded at any time by depressing the accelerator pedal. While it is being exceeded, the cruising speed flashes on the instrument panel.

Then, release the accelerator: after a few seconds, the vehicle will automatically return to its set cruising speed.

### Cruising speed cannot be maintained

When driving down a steep gradient, the system is unable to maintain the cruising speed: the stored speed will flash on the instrument panel information display to inform you of this situation.


## CRUISE CONTROL (4/4)



### Putting the function on standby

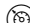
The function is set to standby if you:

- use the switch **5** (O);
- the brake pedal;
- depress the clutch pedal or the shift into neutral if the vehicle has an automatic gearbox.

The cruising speed is stored and displayed on the instrument panel accompanied by the message “Memorised”. Standby is confirmed by displaying of cruising speed in grey and the message “Memorised” and depending on the vehicle the indicator light  going out.

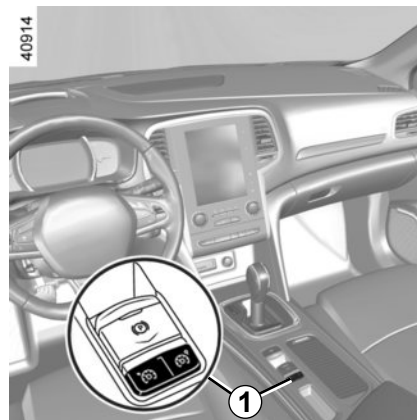
### Returning to the cruising speed

If a speed is stored, it can be recalled, once you are sure that the road conditions are suitable (traffic, road surface, weather conditions, etc.). Press switch **3** (R) if the vehicle speed is above 20 mph (30 km/h).




When the stored speed is recalled, activation of the cruise control is confirmed by displaying of the cruising speed along with the message “Cruise control” and, depending on the vehicle, lighting of the indicator light .

**NB:** if the speed previously stored is much higher than the current speed, the vehicle will accelerate more rapidly to reach this threshold.

When the cruise control function is put on standby, pressing switch **2** side **a** (+) reactivates the cruise control function without taking into account the stored speed: it is the speed at which the vehicle is moving that is taken into account.



### Switching off the function

The cruise control function is deactivated if you press switch **1**: in this case a speed is no longer stored. The switching off, depending on the vehicle, of the green indicator light  or of the green indicator lights  and , and of the associated message on the instrument panel confirm that it is off.



Putting the cruise control on standby or switching it off does not cause a rapid reduction in speed: you must brake by depressing the brake pedal.



## ADAPTIVE CRUISE CONTROL (1/7)

When traffic conditions permit (large free-flowing road or motorway), the adaptive cruise control gives you the option of maintaining a chosen speed, known as the cruising speed, which can be set from 31 mph to 87 mph (50 and 140 km/h), or 93 mph (150 km/h) depending on the vehicle, while keeping a following distance from the vehicle in front in the same lane.

The sensor has a range of 120 metres.

**Note:** The driver should take into account the maximum speed limit in the country where they are driving.

**Note:** the adaptive cruise control can brake the vehicle up to a third of the braking capacity. Depending on the situation, the driver may need to brake harder.

On equipped vehicles, some information is given on the head-up display.



This function is an additional driving aid. This function does not take the place of the driver.

Therefore, it can under no circumstances replace the driver's responsibility to respect speed limits and to be vigilant (the driver must always be ready to brake).

The adaptive cruise control should not be used in heavy traffic, on winding or slippery roads (black ice, aquaplaning, gravel) and during bad weather (fog, rain, side winds etc.).

**There is a risk of accidents.**

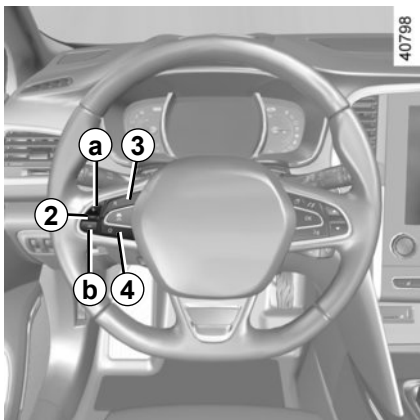


40783

### Sensor location

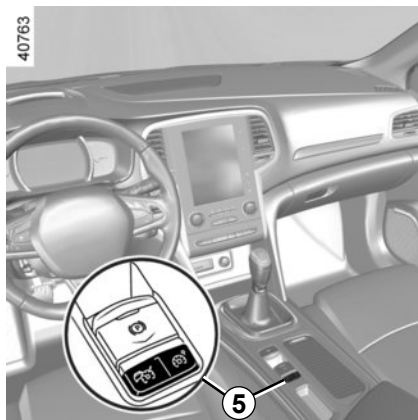
Make sure that the sensor **1** is not obscured (by dirt, mud, snow, etc.).

## ADAPTIVE CRUISE CONTROL (2/7)




### Controls

- 5 Main “On/Off” switch.
- 2 Controls for:
  - a cruising speed activation, storage and increase (+);
  - b decreasing cruising speed (-).
- 3 Activation with recall of saved cruising speed (R).
- 4 Switch the function to standby (with cruising speed saved) (O).
- 6 Adjusting following distance.

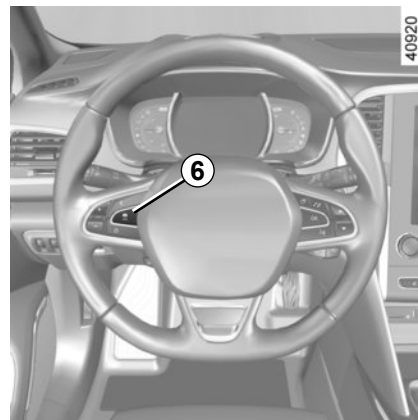


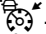
### Switching on

Press switch 5. Warning light  comes on, lit green, and the message “Adaptive cruise ctrl” appears on the instrument panel, accompanied by dashes to indicate that the cruise control function is activated and waiting to store a cruising speed.

### Activating cruise control

At a steady speed (above approximately 31 mph (50 km/h)), press switch 2side a (+): the function is activated and the current speed is memorised.



The cruising speed replaces the dashes and cruise control is confirmed by the appearance of the message “Adaptive cruise ctrl” and the warning light . If you try to activate the function below 31 mph (50 km/h) or above 87 mph (140 km/h), or depending on the vehicle, 93 mph (150 km/h), the message “Invalid speed” is displayed and the function will remain inactive.

### Adjusting the following distance

Pressing switch 6 multiple times adjusts the following distance.

## ADAPTIVE CRUISE CONTROL (3/7)

### Driving

Once a cruising speed is memorised and the cruise control function is active, you may lift your foot off the accelerator pedal.

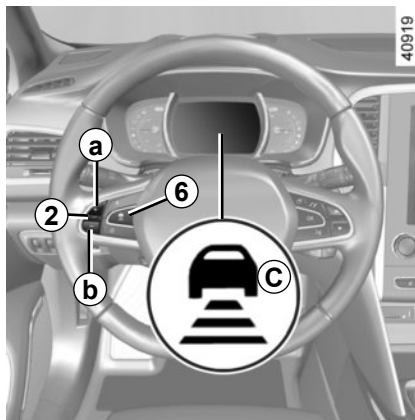
If a following distance is stored and a vehicle travelling slower than yours is detected by the system in your lane, your vehicle will brake (with the brake lights on) and adapt its speed to that of the vehicle in front, respecting the following distance selected previously.

### Overtaking

If your speed is lower than the cruise control and you wish to perform an overtaking manoeuvre, activating the direction indicator will provide acceleration enabling the overtaking manoeuvre.



Please note that you must keep your feet close to the pedals in order to react in an emergency.



### Adjusting the cruising speed

The cruising speed can be changed by pressing the switch **2** repeatedly:

- side **a** (+) to increase the speed;
- side **b** (-) to reduce the speed.

### Varying the following distance

You can vary the following distance from the vehicle in front at any time by pressing switch **6** repeatedly.

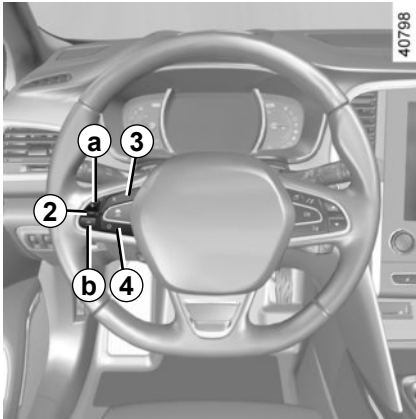
Horizontal following bars will be displayed on the instrument panel, indicating the following distance selected:

- one bar for a short distance (corresponding to a following time of around one second);
- two bars for a medium distance;
- three bars for a long distance (corresponding to a following time of around two seconds).

Choosing the distance should depend on the traffic, the laws in your country, and on the weather conditions.

If a vehicle is detected by the system in your lane, an outline **C** of a vehicle will appear above the following bars.

## ADAPTIVE CRUISE CONTROL (4/7)



### Exceeding the cruising speed

The cruising speed may be exceeded at any time by depressing the accelerator pedal.

When exceeding this speed, the cruising speed and the following bars are shown in red, and the cruising speed flashes on the instrument panel: the distance control function is no longer active.

Then, release the accelerator: cruise and distance control will automatically reactivate unless the function has been set to standby.

### Putting the function on standby

The function is set to standby if:

- you press switch **4** (O);
- you depress the brake pedal;
- you depress the clutch pedal;
- you use the gear lever;
- the vehicle speed is lower than 25 mph (40 km/h) or over 100 mph (160 km/h);
- the engine speed is too low or too high;
- certain driver correction devices and aids are triggered (ABS, ESC, etc.)

In the latter three cases, the message “Adaptive cruise Adaptive cruise” is displayed on the instrument panel when the function is set to standby.

Standby is confirmed by the display of the cruising speed in grey and the message “Adaptive cruise ctrl”.

### Returning to the cruising speed

If a speed is stored, it can be recalled, once you are sure that the road conditions are suitable (traffic, road surface, weather conditions, etc.). Press switch **3** (R) if the vehicle speed is above around 30 mph (50 km/h).

When the stored speed is recalled, activation of the cruise control is confirmed by the illumination of the cruising speed in green, along with the message “Adaptive cruise ctrl”.

When the cruise control is set to standby, pressing switch **2**, side **a** (+), reactivates the cruise control function without taking into account the stored speed: it is the speed at which the vehicle is moving that is taken into account.

## ADAPTIVE CRUISE CONTROL (5/7)

**Note:** if the speed previously stored is much higher than the current speed, the vehicle will accelerate to reach this threshold.

Under certain conditions (coming up behind a vehicle moving much more slowly, rapid change of lane of vehicles in front etc.), the system may not have time to respond and may emit a beep alongside alert **D** when situations require the driver's attention, or alert **E** when situations require immediate action from the driver.

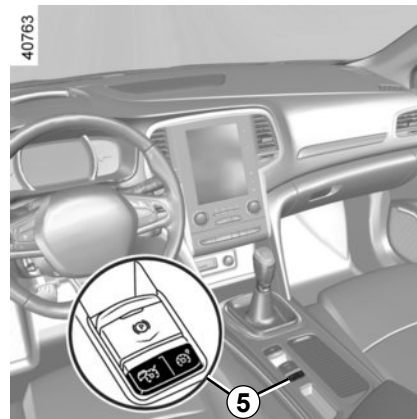
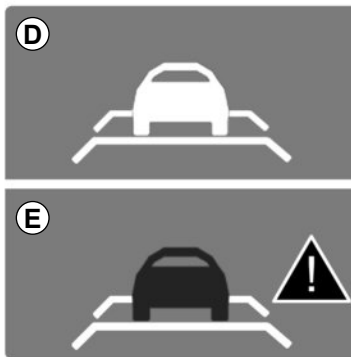
React accordingly and perform the appropriate manoeuvres.



Please note that you must keep your feet close to the pedals in order to react in an emergency.



Putting the cruise control on standby or switching it off does not cause a rapid reduction in speed: you must brake by depressing the brake pedal.




### Switching off the function

The cruise control function is deactivated if you press switch **5**: in this case a speed is no longer stored. The green indicator light and the message "Adaptive cruise ctrl" on the instrument panel go out to confirm that the function is deactivated.

## ADAPTIVE CRUISE CONTROL (6/7)

### Operating faults

When the system detects an operating fault, the  warning light lights up on the instrument panel, with the message “Check cruise control”.

There are two possibilities:

- the system is temporarily disrupted (for example: radar obscured by dirt, mud, snow etc.). In this case, park the vehicle and switch off the engine. Clean the detection zone of the radar. When you next start the engine, the warning light and the message go out.
- Otherwise, this may be caused by another fault. Consult an approved dealer



This function is an additional driving aid. This function is not under any circumstances intended to replace the due care and attention of the driver, who should at all times be in control of the vehicle.

The driver should always adapt their speed to the traffic conditions, regardless of the system indications.

The system should under no circumstances be taken to be an obstacle detector or an anti-collision system.

#### **System servicing/repairs**

- In the event of an impact, the sensor alignment may become changed, and its operation will consequently be affected. Deactivate the function, then consult an authorised dealer.
- Any work in the area where the radar is located (repairs, replacements, touching up of paintwork) must be carried out by a qualified professional.

#### **System disturbance**

In a complex environment (metal bridge, etc.), the system may be affected.

#### **Risk of inadvertent braking.**

## ADAPTIVE CRUISE CONTROL (7/7)



### Limitation of the system operation

- A vehicle travelling in the opposite direction will not trigger any alert or any action on the system operation.
- The sensor area should be kept clean and free of any modifications in order to ensure the proper operation of the system.
- Fixed obstacles (stationary vehicles, traffic jams, toll booths etc.) or objects travelling at low speed or of a small size (motor-bikes, bicycles, pedestrians etc.) may not be detected by the system.
- A vehicle entering the same lane will only be detected once it has entered the detection zone. Sudden or late braking may then take place.
- When entering a bend or curve, the sensor may temporarily no longer detect the vehicle in front, and this may lead to acceleration.
- When exiting a curve, the detection of the vehicle in front may be affected or delayed. Sudden or late braking may then take place.
- A slower vehicle travelling in an adjacent lane may be detected and cause a slowing down if one of the two vehicles is travelling too close to the lane of the other.
- The system is deactivated below around 20 mph (40 km/h). Drivers must react accordingly.
- Sudden changes in situation are not instantly taken into account by the system. Drivers must remain vigilant at all times and under all circumstances.

### Deactivating the function

You must disable the function if:

- the brake lights are not functioning;
- the front of the vehicle has undergone an impact or been damaged;
- the vehicle is being towed (breakdowns);
- traffic is heavy;
- the vehicle is travelling in a tunnel;
- the vehicle is travelling on a windy road;
- the vehicle is travelling on a slippery road or in poor weather conditions (fog, snow, rain, side winds etc.).

In the event of the system behaving abnormally, deactivate it and consult an authorised dealer.

# PARKING DISTANCE CONTROL (1/5)

## Operating principle

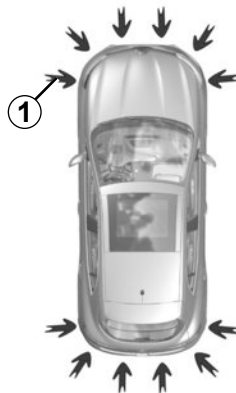
Ultrasonic sensors in the rear bumper measure the distance between the vehicle and an obstacle.

This measurement is indicated by beeps which become more frequent the closer you come to the obstacle, until they become a continuous beep when the vehicle is approximately 20 to 30 centimetres from the obstacle.

The system detects obstacles to the front, the rear and the sides of the vehicle.

The parking distance control system is only activated when the vehicle is driven at a speed below approximately 6 mph (10 km/h).

The parking distance control system does not take into account towing and load carrying systems etc.



40811

## Special features

Ensure that the ultrasonic sensors indicated by arrows **1** are not obscured (by dirt, mud, snow, etc.).



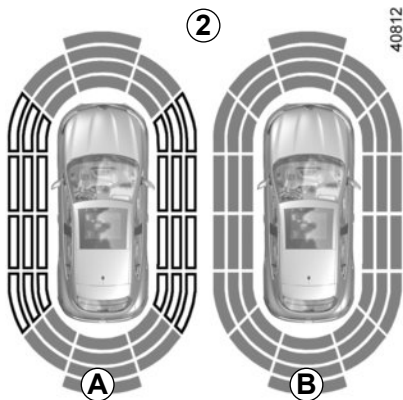
This function is an additional aid that indicates the distance between the vehicle and an obstacle whilst reversing, using sound signals.

Under no circumstances should it replace the driver's care or responsibility whilst reversing.

The driver should always be ready for sudden incidents while driving: always ensure that there are no small, narrow moving obstacles (such as a child, animal, pushchair, bicycle, stone, post etc.) in the blind spot when manoeuvring.



## PARKING DISTANCE CONTROL (2/5)



**Note:** the display 2 shows the vehicle surroundings and emits beeps.

It is necessary to travel a few metres before the side detection is activated.

If all areas have a grey background, the whole area around the vehicle is being monitored:

- **A:** analysis of the vehicle surroundings in progress;
- **B:** analysis of the vehicle surroundings carried out

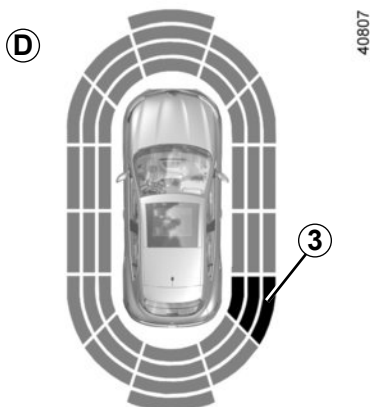


### Operation

Most objects located less near the front, rear and sides of the vehicle are detected.

Depending on the distance of the obstacle, the frequency of the beep will be higher while approaching it, and will become a solid beep around 20 cm for obstacles to the sides, and 30 cm for obstacles to the front or rear. Green, orange and red zones will be displayed on the display C.

## PARKING DISTANCE CONTROL (3/5)



### Detection of obstacles to the side

Depending on the direction of the wheels, the system determines the trajectory of the vehicle and notifies the driver of any risk or otherwise of a collision with an obstacle **3** to the side of the vehicle.

If a side obstacle is detected:

- the beeps become faster and then sound continuously as the obstacle gets nearer. Green, orange and red zones will be displayed on the display **D**;
- if there is no risk of collision, no beep will sound when approaching the obstacle. Green, orange and red zones will be displayed interspersed on the display **D**.

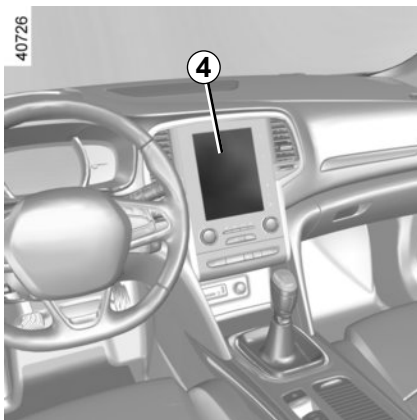
**Note:** in the event of a change in trajectory during a manoeuvre, the risk of collision with an obstacles may be signalled late.



An impact to the underside of the vehicle while manoeuvring (e.g.: striking a post, raised kerb or other street furniture) may result in damage to the vehicle (e.g.: deformation of an axle).

To avoid any risk of accident, have your vehicle checked by an approved Dealer.

## PARKING DISTANCE CONTROL (4/5)



### Adjustment

You can adjust certain settings from the multimedia screen **4**. Please see the equipment instructions for further information.

### Vehicles fitted with a multimedia system

Select "Vehicle", "Parking assistance", "Obstacle detection".

### Parking distance control audio volume

Adjust the volume of the parking distance control by pressing + or -.

### System sound

Enables the system sound to be chosen.

### Deactivating the system sound

Activate or deactivate the parking distance control sound.

**Note:** if you deactivate the sound, you will no longer be notified with beeps when approaching an obstacle.

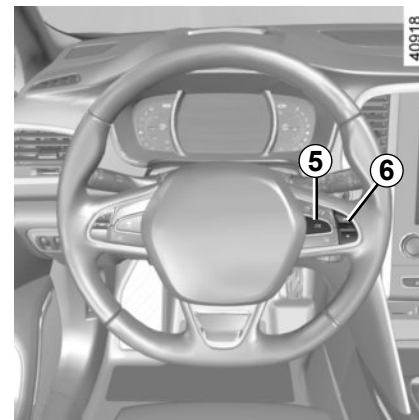
### Deactivating the system

Activate or deactivate parking distance control.

### Vehicles not fitted with a multimedia system

Vehicle stationary:

- press and hold the switch **5 OK** to access the settings menu;
- repeatedly press the control **6** up or down until you reach the "Driving assistance" menu;
- press the switch **5 OK**;
- repeatedly press the control **6** up or down until you reach the "Parking distance control settings" menu;



- press the switch **5 OK**;
- using the control **6**, select the settings to be changed;
- press the switch **5 OK**.

When the vehicle is being driven at a speed below approximately 6 mph (10 km/h), certain noises (motorcycle, lorry, pneumatic drill, etc.) may trigger the beeping sound of the parking distance control.

## PARKING DISTANCE CONTROL (5/5)

### Automatic deactivation of the parking distance control

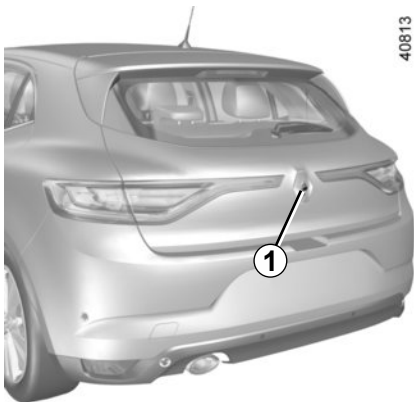
The system deactivates:

- when the vehicle speed is above approximately 6 mph (10 km/h);
- depending on the model, when the vehicle is stationary for more than approximately 5 seconds and an obstacle is detected (such as when in a traffic jam, etc.);
- when the vehicle is in neutral for manual gearboxes, or in position **N** or **P** for automatic gearboxes.

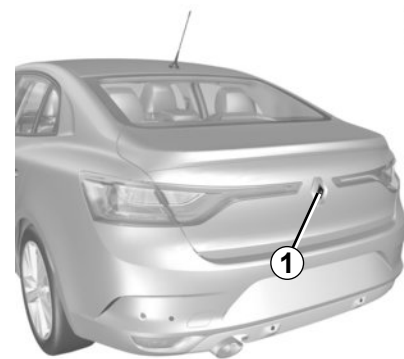
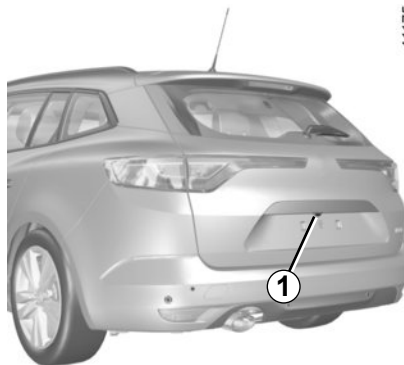
### Operating faults

When the system detects an operating fault, a beep sounds for approximately 3 seconds each time reverse gear is selected and is accompanied by the message “Check parking sensor” shown on the instrument panel. Please consult an authorised dealer.

## REVERSING CAMERA (1/2)



The **1** rear view camera is located on the luggage compartment lid.



### Special feature

Make sure that the **1** camera is not obscured (by dirt, mud, snow, condensation etc.).



This function is an additional aid. It cannot, therefore, under any circumstances replace the vigilance or the responsibility of the driver.

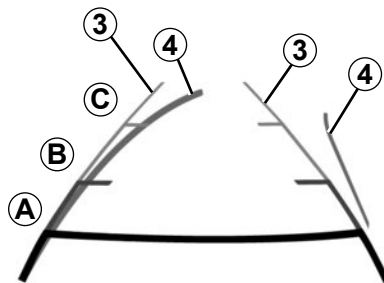
The driver should always be ready for sudden incidents while driving: always ensure that there are no small, narrow moving obstacles (such as a child, animal, pushchair, bicycle, stone, post etc.) in the blind spot when manoeuvring.

## REVERSING CAMERA (2/2)



### Operation

When reversing, the camera transmits a view of the surroundings to the rear of the vehicle to the screen **2** accompanied by one or two clearance gauges **3** et **4** (mobile and fixed). This system is initially used with the aid of several gauges (mobile for trajectory and fixed for distance). When the red zone is reached, use the bumper image to stop accurately.



### Fixed clearance gauge 3

The fixed clearance gauge comprises coloured markers **A**, **B** and **C**, indicating the distance behind the vehicle:

- **A** (red) approximately 30 centimetres from the vehicle;
- **B** (yellow) approximately 70 centimetres from the vehicle;
- **C** (green) approximately 150 centimetres from the vehicle.

This gauge remains fixed and indicates the vehicle trajectory if the wheels are in line with the vehicle.

The frames are a representation projected onto flat ground; this information must not be taken into account when superimposed on a vertical object or an object on the ground.

### 4 moving guide line:

This is shown in blue on the multimedia screen **2**. It indicates the vehicle trajectory according to the position of the steering wheel.

### Activating, deactivating the reversing camera

From the multimedia screen **2**, select “Vehicle”, “Parking assistance”, “Rear view camera”. Activate or deactivate the reversing camera and confirm your choice.

You can also adjust the camera image settings (brightness, contrast, etc.)

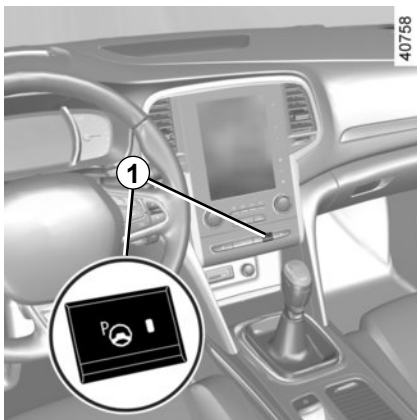
The screen shows a reverse mirror image.

Objects which appear on the edge of the screen may be deformed.

In very bright light (snow, vehicle in sunshine etc.), the camera vision may be adversely affected.

If the boot is open or poorly closed, the message “Boot open” appears and the camera display disappears.

## ASSISTED PARKING (1/4)

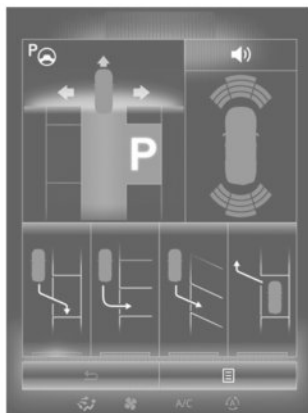


This function assists with parking manoeuvres.

Take your hands off the steering wheel. You only control the pedals and the gear lever.

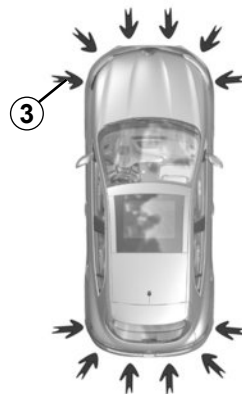
You can retake control at any time by operating the steering wheel.

②



### Switching on

With the vehicle stationary or driving at less than approximately 19 mph (30 km/h), press the switch **1**. The warning light integrated on switch **1** lights up and screen **2** appears on the multimedia screen.



### Special features

Ensure that the ultrasonic sensors indicated by arrows **3** are not obscured (by dirt, mud, snow, etc.).

## ASSISTED PARKING (2/4)

### Choice of manoeuvre

The system can perform four types of manoeuvres:

- parallel parking;
- perpendicular parking;
- angle parking;
- moving out of a parallel parking space.

From the multimedia screen, select the manoeuvre you wish to perform.

**Note:** when starting the vehicle, or after having successfully completed parallel parking using the system, the default manoeuvre proposed by the system is assistance in exiting a parallel parking space. In other cases, the default manoeuvre can be set from the multimedia screen.

### Operation

#### Parking

As long as the vehicle speed is less than 20 mph (30 km/h), the system looks for available parking spaces on both sides of the vehicle.

Once a space has been found, it is displayed on the multimedia screen, indicated by a small letter "P". Drive slowly, with the indicators activated on the side of the space, until the message "Stop" is displayed, alongside a beep.


The space is then indicated on the multimedia screen by a capital "P".

- Stop the vehicle;
- select reverse gear.

Warning light  lights up on the instrument panel, along with a beep.

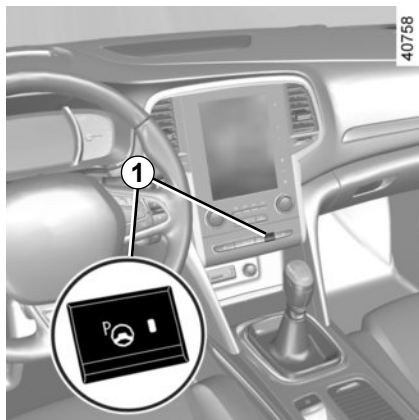
- release the steering wheel;
- follow the system instructions on the multimedia screen.

Your speed should not exceed around 4 mph (7 km/h).

Once the warning light  on the instrument panel goes off and a beep sounds, the manoeuvre has been completed.



## ASSISTED PARKING (3/4)



### Exiting a parallel parking space


- Select “exit parallel parking space” mode;
- activate the direction indicator on the side you wish to go out of;
- press and hold switch **1** (around 2 seconds).

Warning light  lights up on the instrument panel, along with a beep.

- release the steering wheel;
- go forwards and backwards using the parking distance control system alerts.

Your speed should not exceed around 4 mph (7 km/h).


Once in position to exit the space, the system will notify you of the end of the manoeuvre.

Once the warning light  on the instrument panel goes off and a beep sounds, the manoeuvre has been completed.

### Suspending the manoeuvre

The manoeuvre is suspended in the following circumstances:

- you take control of the wheel;
- a door or the boot is opened;
- the vehicle is at a standstill for too long;
- an obstacle in the direction of movement prevents the manoeuvre from being completed;
- the engine will stop.

Once the warning light  on the instrument panel goes off and a beep sounds, the manoeuvre has been suspended. Then to resume the manoeuvre, press and hold the system activation switch.

In this case, the reason for suspending the manoeuvre will be displayed on the multimedia screen.


Make sure:

- you have released the steering wheel and;
- that all doors and the boot are closed, and;
- that no obstacles are in the way of the direction of movement, and;
- that the engine is started.

### Cancelling the manoeuvre

The manoeuvre can be stopped in the following cases:

- by pressing the system activation switch;
- the vehicle speed has exceeded 4 mph (7 km/h);
- You have performed more than ten forwards/backwards movements in one manoeuvre;
- the parking distance control sensors are dirty or blocked;
- the vehicle wheels have skidded.

Once the warning light  on the instrument panel goes off and a beep sounds, the manoeuvre has been completed.

## ASSISTED PARKING (4/4)



This function is an additional driving aid. This function is not under any circumstances intended to replace the due care and attention of the driver, who should at all times be in control of the vehicle.

Make sure that the manoeuvre complies with the applicable traffic regulations at your location.

- The driver should always look out for sudden hazards during driving: always ensure that there are no moving obstacles (such as a child, animal, pram, bicycle, etc.) or small, narrow objects such as stones or posts in your path when manoeuvring.
- The system cannot detect objects located in the sensor blind spots.
- During manoeuvring, the steering wheel may turn quickly: do not place your hands inside the wheel, and ensure nothing is located in this space.
- Always visually check that the parking space proposed by the system is still available and contains no obstacles.
- The system should be deactivated when towing a trailer.

# AUTOMATIC TRANSMISSION (1/3)



## Selector lever 1

**P:** park

**R:** reverse

**N:** Neutral

**D:** automatic mode

**M:** manual mode

**+**: upper gear

**-**: lower gear

The gear engaged is displayed on the instrument panel **B** and, depending on the vehicle, on the display **A**.

**Note:** Press button **2** to go from position **D** or **N** to **R** or **P**.


40780



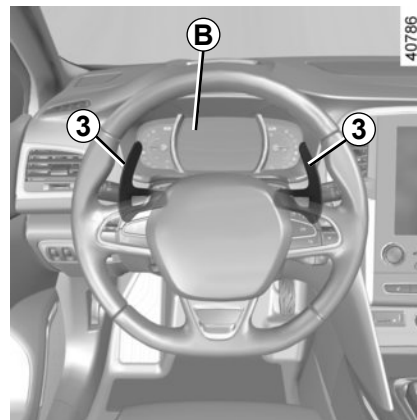
## Operation

With the selection lever **1** in position **P**, switch on the ignition.

To move out of position **P**, you must depress the brake pedal before pressing the unlocking button **2**.

With your foot on the brake pedal (warning light  on the display goes out), move the lever out of position **P**.

**Only engage D or R when the vehicle is stopped, with your foot on the brake and the accelerator pedal released.**



## Gear shift paddles 3 (depending on the vehicle)

The paddles **3** enable you to change gear while the gear lever is in “manual mode” position or, if driving, in “automatic mode” position.

**P**, **N** and **R** are not accessible using the paddles.

# AUTOMATIC TRANSMISSION (2/3)

## Driving in automatic mode

Put lever **1** into position **D**.

In most road conditions you will encounter, you will not need to touch your lever again: the gears will change automatically at the right time and at the most suitable engine speed because the automatic system takes into account the vehicle load and road contour and adjusts itself to the particular driving style you have chosen.

## Economical driving

When driving, always leave the lever in position **D**, keeping the accelerator pedal lightly depressed to ensure automatic gear changes at a lower engine speed.

## Accelerating and overtaking

Depress the accelerator pedal firmly and fully (so that it goes beyond the kickdown point).

**This will enable you to change down to the optimum gear within the engine range.**

## Driving in manual mode

With the selector lever in position **D**, move the lever to the left into the **M** position. Shifting the lever or the paddles repeatedly allows you to change gears manually:

- to move down through the gears, push the lever forwards or press the left-hand paddle;
- to move up through the gears, push the lever backwards or press the right-hand paddle.

The gear selected is displayed on the instrument panel.

## Special cases

In certain driving conditions (for example, engine protection, operation of the Electronic Stability Programme: the automatic system may change gear automatically. Likewise, to prevent incorrect manoeuvres, a gear change may be refused by the automatic system: in this case the gear display flashes for a few seconds as a warning.

## Special circumstances

- **If the bends and road surface** do not allow you to stay in automatic mode (e.g. in the mountains), we recommend that you change to manual mode. This will prevent the automatic gearbox from changing gear repeatedly when climbing, and permit engine braking on long descents.

When facing uphill, to remain stopped, do not keep your foot on the accelerator.

Risk of overheating the automatic gearbox.

## AUTOMATIC TRANSMISSION (3/3)

### Parking the vehicle

When the vehicle is stopped, move the lever to position **P** while keeping your foot on the brake pedal: the gearbox is in neutral and the drive wheels are mechanically locked by the driveshaft.

**Apply the handbrake or, depending on the vehicle, ensure that the electronic parking brake is applied.**



An impact to the underside of the vehicle while manoeuvring (e.g.: striking a post, raised kerb or other street furniture) may result in damage to the vehicle (e.g.: deformation of an axle).

To avoid any risk of accident, have your vehicle checked by an approved Dealer.



For safety reasons, do not switch off the ignition before the vehicle has come to a complete standstill.

### Maintenance period

Refer to the maintenance document for your vehicle or consult an Approved Dealer to check whether the automatic gearbox requires scheduled maintenance.

If it does not need to be serviced, there is no need to top up the oil.

### Operating faults

- **During driving, if the** “Check auto gearbox” message appears on the instrument panel, it indicates that there is a fault. Contact your approved Dealer as soon as possible;
- **when driving**, if the message “Gearbox overheating” appears on the instrument panel, stop as soon as possible to let the gearbox cool down and wait for the message to disappear;
- **If a vehicle with an automatic gearbox breaks down**, refer to the information on “Towing” in Section 5.



**When activated**, in the event that the lever is stuck in **P**, depress the brake paddle. It is possible to free the lever manually. To do this, unclip the base of the lever, then insert a tool (rigid rod) into the slot **4** and press simultaneously on the button **2** in order to unclick the lever.

Contact an approved dealer as soon as possible.



## ***Section 3: Your comfort***

Multi-Sense . . . . .	3.2
Air Vents . . . . .	3.4
Manual air conditioning, heating system . . . . .	3.6
Automatic climate control . . . . .	3.9
Air conditioning: information and advice on use . . . . .	3.19
Outside air quality and deodorisation functions. . . . .	3.21
Electric windows . . . . .	3.22
Electric sunroof . . . . .	3.24
Interior lighting . . . . .	3.27
Sun visor, blinds . . . . .	3.29
Passenger compartment storage/ fittings. . . . .	3.30
Accessories socket . . . . .	3.34
Ashtray . . . . .	3.34
Cigarette lighter . . . . .	3.34
Rear headrests . . . . .	3.36
Rear bench seat . . . . .	3.38
Luggage compartment. . . . .	3.40
Rear parcel shelf . . . . .	3.44
Luggage cover. . . . .	3.45
Luggage net. . . . .	3.46
Luggage compartment storage space, fittings. . . . .	3.48
Transporting objects in the luggage compartment . . . . .	3.53
Transporting objects: towbar . . . . .	3.54
Roof bars . . . . .	3.55
Multimedia equipment . . . . .	3.57

## MULTI-SENSE (1/2)

Depending on the mode selected and depending on the vehicle, the MULTI-SENSE system controls the driving, the ambient lighting, and the tone and smoothness of the engine:

- modes Sport, ECO, Neutral and Comfort are preset and associated with customisable light environments and engine noise;
- mode Perso is fully customisable.

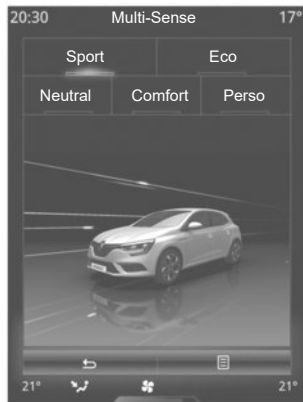
The drive modes affect the:

- power-assisted steering;
- the rear wheel steering;
- engine and gearbox responsiveness;
- heating level.

They also affect the:

- the light environment and the instrument panel lighting;
- the information on the instrument panel and multimedia screen;
- engine noise;
- massage seat.

After each start-up, the vehicle may either use the mode set at the time the engine was last switched off, or start in Neutral mode.



### Sport mode

This mode permits an increased responsiveness from the engine and the gearbox. The steering is firmer.

**Note:** depending on the vehicle, this mode can inhibit the Stop and Start (refer to the information on the "Stop and Start Function" in section 2).

### ECO mode

Mode ECO is geared towards saving energy and the environment. The steering is smooth, engine and gearbox management enable fuel consumption to be lowered. Air conditioning is managed to be used only when necessary.

Please refer to the information on "Driving advice, ECO-driving" in Section 2.

**Note:** for vehicles without ECOmode, the Comfort mode becomes the most suitable mode in terms of energy economy and respect for the environment.

### Mode Neutral

Default mode, mode Neutral selects the vehicle factory settings.

In any mode, you can change the colour of the ambient lighting as well as the format of the information displayed on the instrument panel and multimedia screen. You can also reset to the default settings.

Please refer to the multimedia equipment instructions.



## MULTI-SENSE (2/2)

### Mode Comfort

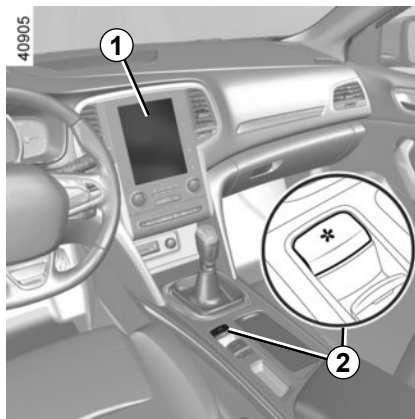
This mode favours smooth steering. The interior environment is softened. Depending on the vehicle, the driver's seat massage function is activated.

### Mode Perso

This mode enables you to manually configure the drive, comfort, light environment and engine noise.

#### Stopping the engine in Sport mode, or Perso mode with engine setting in Sport mode.

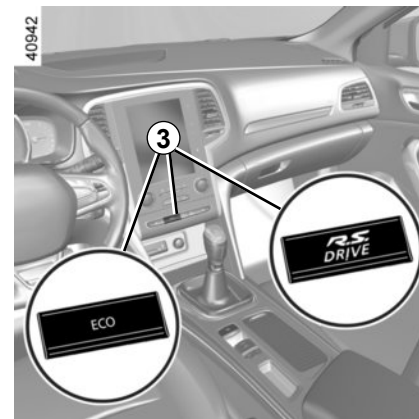
Depending on the vehicle, when you restart the vehicle, a message asks you if you wish to keep the engine setting in Sport mode.



### Accessing the menu

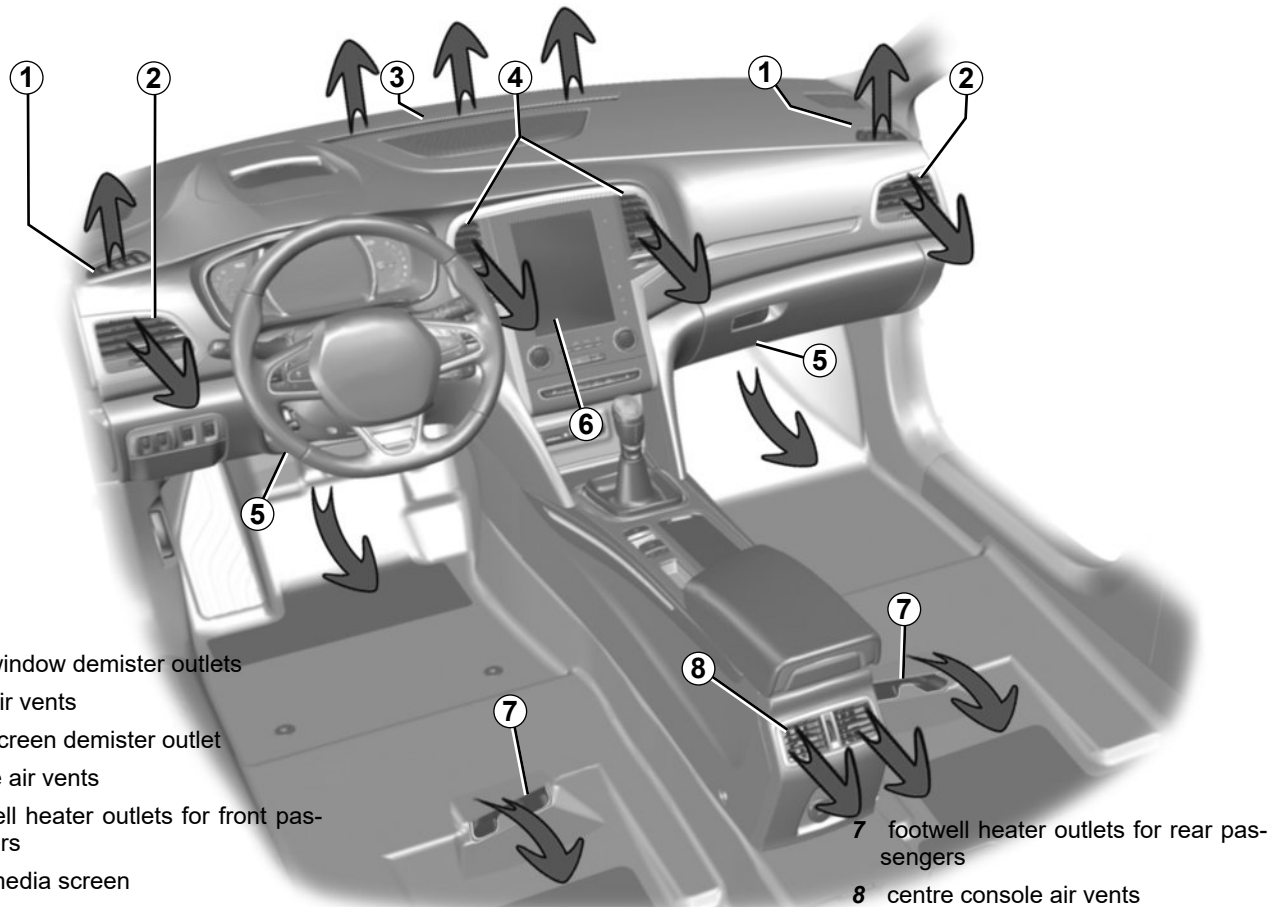
You can access MULTI-SENSE, depending on the vehicle:

- from the multimedia screen **1**. Select the “Vehicle” menu, then “MULTI-SENSE”;
- using switch **2**;
- depending on the vehicle, by pressing the button **3** ECO which automatically launches the ECO mode, or by pressing the button **3** R.S Drive which automatically launches the Sportmode. In both cases this opens the “MULTI-SENSE” menu on the multimedia screen **1** for a few seconds.

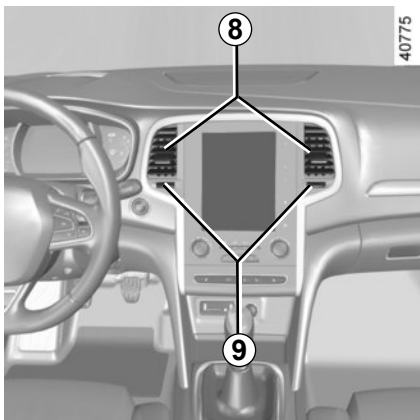


Depending on the vehicle, once the “MULTI-SENSE” menu is displayed on the multimedia screen **1**, pressing button **3** enables you to toggle between the two preferential modes you have selected. Refer to the handbook for the equipment.

## AIR VENTS: air outlets (1/2)



## AIR VENTS: air outlets (2/2)



### Front seats

#### Direction

#### Right/left direction

Move cursor **8**.

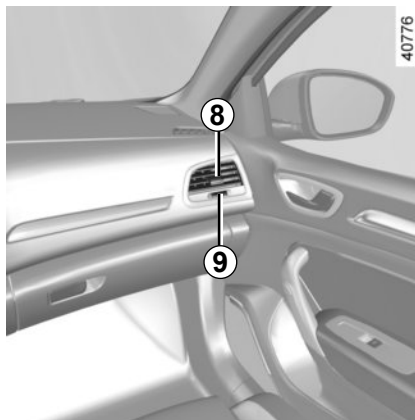
#### Up/down direction

Move cursor **8**.



Do not add anything to the vehicle's ventilation circuit (for example, to remove bad odours).

**There is a risk of damage or of fire.**



### Air flow

Turn control knob **9**:

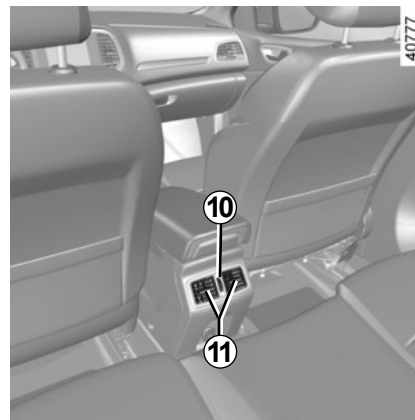


: maximum air flow;



: closed.

To remove bad odours from your vehicles, only use the systems designed for this purpose. Consult an approved Dealer.



### Rear seats

#### Right/left direction

Move cursor **11**.

#### Up/down direction

Move cursor **11**.

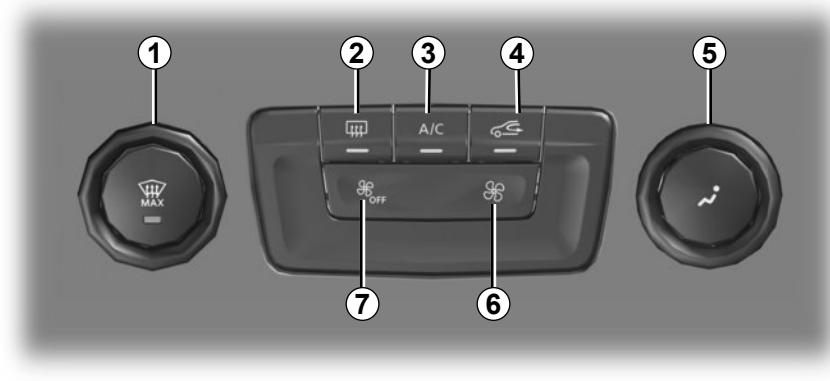
### Air flow

Turn control knob **10**:

up: maximum flow;

down: closed.

# MANUAL AIR CONDITIONING (1/3)



## The controls

- 1 Air temperature adjustment/"Clear View" function
- 2 De-icing/demisting of the rear screen and, depending on the vehicle, the door mirrors.
- 3 Air conditioning.
- 4 Air recirculation.
- 5 Adjusting air distribution in the passenger compartment.
- 6 Adjusting the ventilation fan speed.
- 7 Adjusting the ventilation speed and stopping the system.

## Indicators

The following indicators are displayed on the multimedia screen **A**:

- 8 Air temperature.
- 9 Active mode.
- 10 Fan speed.
- 11 Distribution of air in the passenger compartment.



## Switching air conditioning on or off

The air conditioning is switched on (indicator light on) or off (indicator light off) using the control **3**.

## The air conditioning system is used for:

- lowering the temperature inside the passenger compartment;
- eliminating condensation more quickly.

## MANUAL AIR CONDITIONING (2/3)

### Distribution of air in the passenger compartment

There are five air distribution options. Turn control **5** to choose the distribution option.

The air distribution is displayed on the multimedia screen.



The air flow is directed to the windscreen and the front side window demisting vents.



The air flow is distributed between all the air vents, the front side window demisting vents, the windscreen demisting vents and the footwells.



The air flow is directed mainly towards the footwells.



The air flow is directed towards the dashboard air vents, the front footwells and, depending on the vehicle, the second row footwells.



All the air flow is directed to the dashboard vents.



42411

### Adjusting the air temperature

Turn control **1** to obtain the desired temperature. The more bars are displayed on the multimedia screen, the higher the temperature.

When the air conditioning system is used for long periods, it may begin to feel cold. To increase the temperature, turn control **1** to the right.

### Rear screen de-icing/demisting

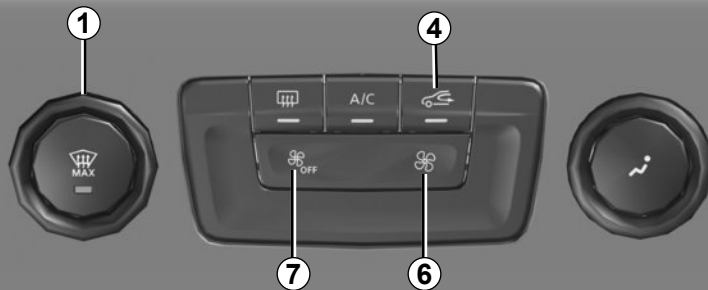
**With the engine running**, press the control **2**. The operating tell-tale comes on.

This function permits rapid demisting/de-icing of the rear screen and de-icing of the door mirrors (on equipped vehicles).

**To exit this function**, press the control **2** again. Demisting automatically stops.

## MANUAL AIR CONDITIONING (3/3)

42411



### Clear View function

Press the control **1**: the integrated indicator light in the button comes on. This function quickly demists and de-ices the windscreen, the rear screen, the front side windows, and the door mirrors (depending on the vehicle). The air conditioning and rear screen de-icing functions must be activated.

### Switching the air recirculation on

Press the control **4**: the integrated indicator light in the button comes on. Under these conditions, air is taken from the passenger compartment and is recirculated, with no air being taken from outside the vehicle. **Air recirculation operates as follows:**

- isolating the vehicle from the external atmosphere (driving in polluted areas, etc.);
- lowering the passenger compartment temperature as quickly as possible.

### Varying the ventilation speed

You can adjust the fan speed by pressing the controls **6** or **7** to increase or reduce the fan speed.

The system is deactivated (OFF): the ventilation speed is zero (vehicle stationary). You can, however, still feel a slight flow of air when the vehicle is moving.

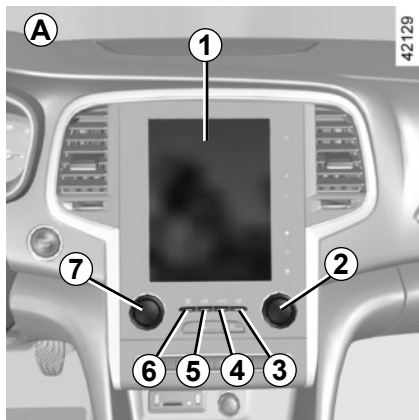
### Stopping the system

To switch off the system, press the control **7** several times until the message "OFF" appears on the multimedia screen.

You may, however, feel a slight flow of air when the vehicle is moving.

Prolonged use of air recirculation can lead to condensation forming on the side windows and windscreen, and discomfort due to the use of non-renewed air in the passenger compartment. We therefore advise you to return to normal mode (external air) as soon as the air recirculation function is no longer required, by pressing the control **4** again.

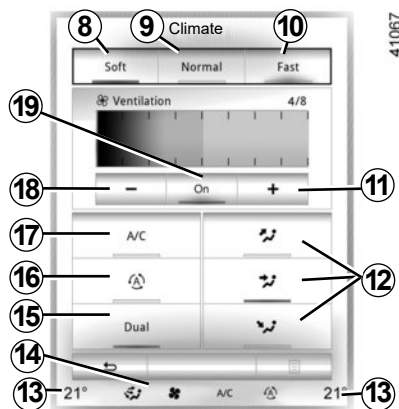
# AUTOMATIC CLIMATE CONTROL: Controls A (1/5)



## Controls A

Press zone **14** to access the multimedia screen controls **1**. The presence of the controls detailed below will depend on the vehicle model.

- 2** and **7** Left and right temperature indication adjustment.
- 3** De-icing/demisting of the rear screen and, depending on the vehicle, the door mirrors.
- 4, 8, 9** and **10** automatic modes
- 5** Air recirculation.
- 6** "Clear View" function.



- 11** and **18** Ventilation speeds.
- 12** Distribution of air in the passenger compartment.
- 13** Right and left temperature display.
- 14** Zone displaying air conditioning settings.
- 15** "DUAL" function.
- 16** "Automatic recirculation" function.
- 17** Air conditioning.
- 19** Stopping the system.

Some buttons have a warning light indicating their operative state.

## Automatic mode

The automatic climate control system guarantees comfort in the passenger compartment and good visibility (except in the event of extreme conditions), while optimising consumption. The system controls the ventilation speed, air distribution, air recirculation, and starting and stopping the air conditioning and air temperature.

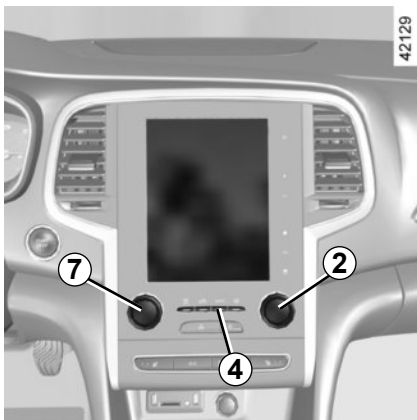
This mode consists of a choice of three programmes:

**NORMAL** : allows the selected comfort level to be best attained, depending on the exterior conditions. Press button **4** or key **9**.

**SOFT**: reaches the desired comfort level more gently and silently. Press button **8**.

**FAST**: increases the flow of air in the passenger compartment. This mode is recommended in particular to optimise comfort in the rear seats. Press button **10**.

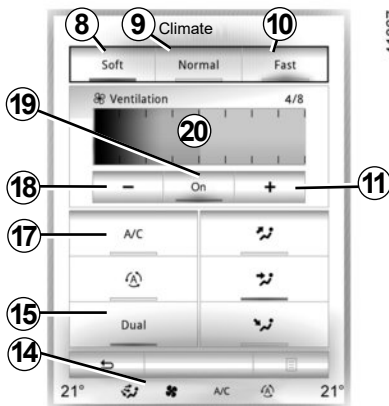
# AUTOMATIC CLIMATE CONTROL: Controls A (2/5)



## Varying the ventilation speed

In automatic mode, the system uses the most suitable amount of air to reach and maintain the desired comfort level.

You can still adjust the ventilation speed by pressing buttons **10** or **17** or by sliding your finger in zone **20**.



## Temperature adjustment

There are two types of settings:

- uniform passenger compartment setting;
- "DUAL" function setting to independently adjust the left and right sides.

### Uniform passenger compartment setting

Use control **7**.

### DUAL function setting

Press button **15** to activate. Use control **7** to adjust the left side and control **2** for the right side.

**Note:** the air conditioning configuration depends on the mode selected in the "Multi-Sense" menu (please refer to the information on "Multi-Sense" in Section 3).

The displayed temperature values show a comfort level.

When starting the engine, increasing or decreasing the value displayed will not allow the comfort level to be reached any more quickly. The system will always optimise the temperature increase or decrease (the ventilation system does not start instantly at maximum speed: it gradually increases). This may take several minutes.

Generally speaking, unless there is a particular reason not to, the dashboard air vents should remain open.

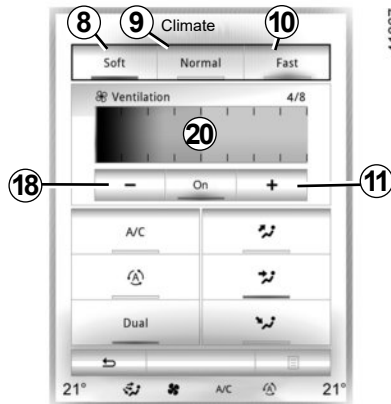


## AUTOMATIC CLIMATE CONTROL: Controls A (3/5)



### Clear View function

This function quickly demists and de-ices the windscreen, the rear screen, the front side windows, and the door mirrors (depending on the vehicle). It imposes automatic operation of the air conditioning and rear screen de-icing and, depending on the vehicle, the windscreen electric de-icer.



Press button **6** – the integrated indicator light comes on.

Press button **3** to stop the heated rear screen operating, and the integrated indicator goes out.

To adjust the ventilation speed: press buttons **11** or **18** or slide your finger in zone **20**.

To exit this function, press either:

- button **4**;
- again button **6**;
- on button **8**, **9** or **10**.

## AUTOMATIC CLIMATE CONTROL: Controls A (4/5)

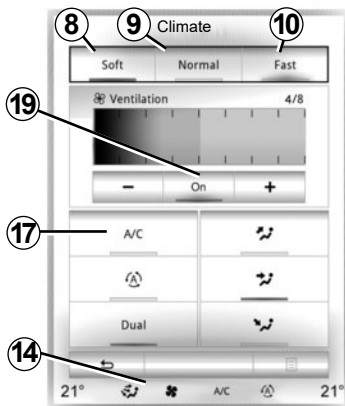


### Switching air conditioning on or off

In automatic mode, the system switches the air conditioning system on or off, depending on the climate conditions.

Press button **17** to:

- activate the air conditioning (a warning light in zone **14** comes on).
- deactivate the air conditioning (the warning light in zone **14** goes out)



### Stopping the system

Press button **19** to activate or deactivate the system (the operating warning light on button **19** notifies you of the system status).

### Rear screen de-icing/ demisting

Press button **3** – the integrated indicator light comes on. This function enables rapid demisting or de-icing of the rear screen and de-icing of the door mirrors (on equipped vehicles).

**To exit this function**, press button **3** again. Demisting automatically stops.

**It is preferable to use one of the automatic programmes NORMAL, SOFT or FAST.**

In automatic mode (**4** warning light is lit), all air conditioning functions are controlled by the system.

You can still modify the system's choice; in this case, the warning light in the button **4** goes out.

To return to automatic mode, press one of the programmes **NORMAL 9**, **SOFT 8** or **FAST 10** or the button **4**.

# AUTOMATIC CLIMATE CONTROL: Controls A (5/5)



## Adjusting the distribution of air in the passenger compartment

Press buttons **12** to select the desired distribution (a warning light is displayed in zone **14**):



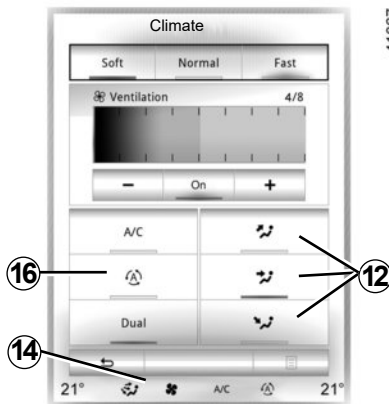
The air flow is mainly directed to the demisting vents for the windshield and the side windows.



The air flow is mainly directed to the dashboard air vents.



The air flow is directed mainly towards the footwells.



## Air recirculation

This function is managed automatically but you can also activate it manually.

### Note:

- during recirculation, air is taken from the passenger compartment and is recycled, with no air being taken from outside the vehicle;
- air recirculation allows the external atmosphere to be cut off (when driving in polluted areas, etc.) and to cool the passenger compartment temperature more quickly.

## Automatic usage

Press button **16** (a warning light comes on in zone **14**).

## Manual use

Press button **5** to force air recirculation.

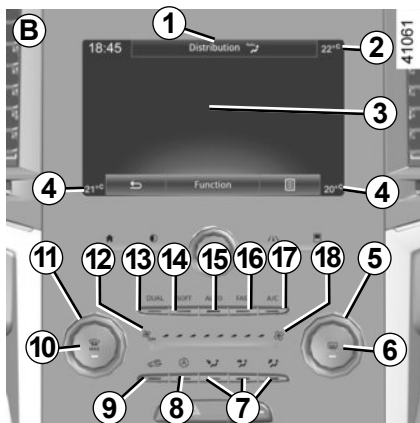
Prolonged use of this position may lead to odours, caused by non-renewal of air, and the formation of condensation on the windows.

We advise you to return to automatic mode as soon as air recirculation is no longer needed, by pressing key **16** or button **5** again.

To exit this function, press key **16** or button **5** again.

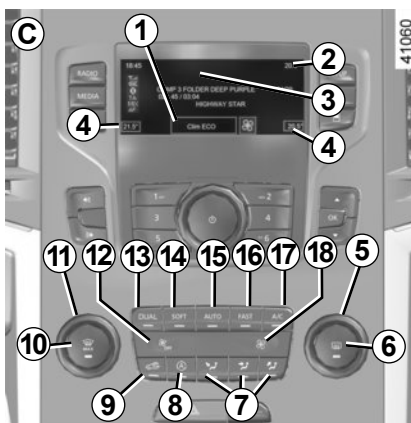
The demisting/de-icing will still take priority over the air recirculation.

# AUTOMATIC CLIMATE CONTROL: Controls B and C (1/5)



## Controls B and C

- 5 and 11 Left and right temperature indication adjustment.
- 6 De-icing/demisting of the rear screen and, depending on the vehicle, the door mirrors.
- 7 Passenger compartment air distribution.
- 8 "Automatic recirculation" function.
- 9 Air recirculation.
- 10 "Clear View" function.
- 12 and 18 Ventilation speeds.
- 13 "DUAL" function.
- 14, 15 and 16 Automatic modes.
- 17 Air conditioning.



## Indicators

The following indicators are displayed on the screen 3:

- 1 Active mode, ventilation speed and air distribution in the passenger compartment (temporary display after pressing the associated controls).
- 2 Outside air temperature.
- 4 Air temperature, left and right.

Some buttons have a warning light indicating their operative state.

## Automatic mode

The automatic climate control system guarantees comfort in the passenger compartment and good visibility (except in the event of extreme conditions), while optimising consumption. The system controls the ventilation speed, air distribution, air recirculation, and starting and stopping the air conditioning and air temperature.

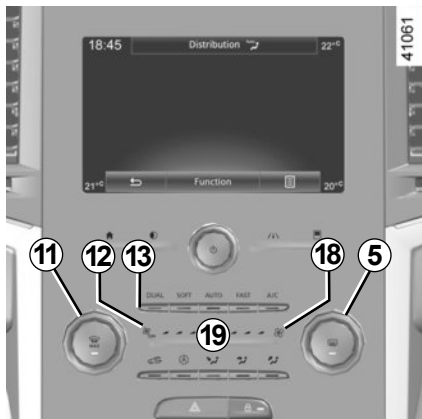
This mode consists of a choice of three programmes:

**AUTO:** allows the selected comfort level to be best attained, depending on the exterior conditions. Press the button 15.

**SOFT:** reaches the desired comfort level more gently and silently. Press the button 14.

**FAST:** increases the flow of air in the passenger compartment. This mode is recommended in particular to optimise comfort in the rear seats. Press the button 16.

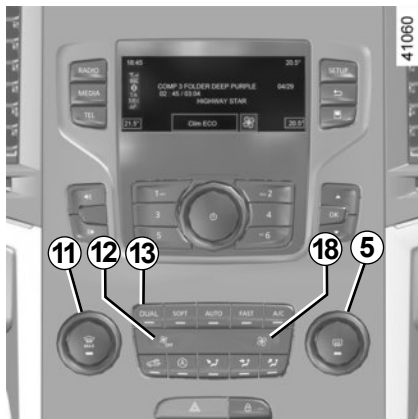
## AUTOMATIC CLIMATE CONTROL: Controls B and C (2/5)



### Varying the ventilation speed

In automatic mode, the system uses the most suitable amount of air to reach and maintain the desired comfort level.

You can still adjust the ventilation speed by pressing buttons **12** or **18** or, depending on the vehicle, by sliding your finger in zone **19**.



### Temperature adjustment

There are two types of settings:

- uniform passenger compartment setting;
- DUAL function setting to independently adjust the left and right sides.

#### Uniform passenger compartment setting

Use control **11**.

#### DUAL function setting

Press button **13** to activate. Use control **11** to adjust the left side and control **5** for the right side.

**Note:** The air conditioning configuration depends on the mode selected in the “Multi-Sense” menu (please refer to the information on “Multi-Sense” in section 3).

The displayed temperature values show a comfort level.

When starting the engine, increasing or decreasing the value displayed will not allow the comfort level to be reached any more quickly. The system will always optimise the temperature increase or decrease (the ventilation system does not start instantly at maximum speed: it gradually increases). This may take several minutes.

Generally speaking, unless there is a particular reason not to, the dashboard air vents should remain open.

## AUTOMATIC CLIMATE CONTROL: Controls B and C (3/5)



### Clear View function

This function quickly demists and de-ices the windscreen, the rear screen, the front side windows, and the door mirrors (depending on the vehicle). It imposes automatic operation of the air conditioning and rear screen de-icing and, depending on the vehicle, the windscreen electric de-icer.



Press button **10** – the integrated indicator light comes on.

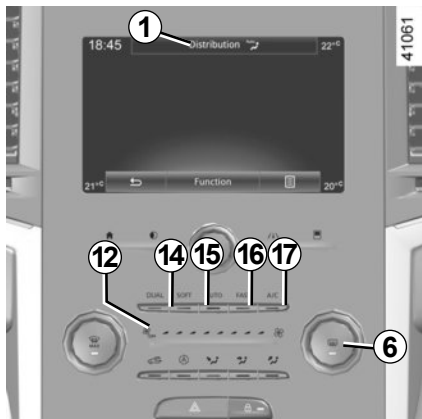
Press button **6** to stop the heated rear screen operating, and the integrated indicator goes out.

To adjust the ventilation speed: press buttons **12** or **18** or slide your finger in zone **19**.

To exit this function, press either:

- again button **10**;
- one of the buttons **14**, **15** or **16**.

## AUTOMATIC CLIMATE CONTROL: Controls B and C (4/5)



### Switching air conditioning on or off

In automatic mode, the system switches the air conditioning system on or off, depending on the climate conditions.

Press button **17** to:

- activate the air conditioning (a warning light in zone **1** comes on).
- deactivate the air conditioning (the warning light in zone **1** goes out)



### Stopping the system

To switch the system off, press button **12** repeatedly until the message OFF appears in zone **1**.

### Rear screen de-icing/ demisting

Press button **6** – the integrated indicator light comes on. This function enables rapid demisting or de-icing of the rear screen and de-icing of the door mirrors (on equipped vehicles).

**To exit this function**, press button **6** again. Demisting automatically stops.

**It is preferable to use one of the automatic programmes AUTO, SOFT or FAST.**

In automatic mode (indicator light on button **14**, **15** or **16** lit), all air conditioning functions are controlled by the system.

You can still modify the system's choice; in this case, the indicator light on the button **14**, **15** or **16** goes out.


To return to automatic mode, press one of programmes **AUTO 15**, **SOFT 14** or **FAST 16**.


# AUTOMATIC CLIMATE CONTROL: Controls B and C (5/5)




## Adjusting the distribution of air in the passenger compartment

Press buttons **7** to select the desired distribution (a warning light is displayed in zone **1**):

 The air flow is mainly directed to the demisting vents for the windshield and the side windows.

 The air flow is mainly directed to the dashboard air vents.

 The air flow is directed mainly towards the footwells.



## Air recirculation

This function is managed automatically but you can also activate it manually.

### Note:

- during recirculation, air is taken from the passenger compartment and is recycled, with no air being taken from outside the vehicle;
- air recirculation allows the external atmosphere to be cut off (when driving in polluted areas, etc.) and to cool the passenger compartment temperature more quickly.

## Automatic usage

Press button **8** (a warning light comes on in zone **1**).

## Manual use

Press button **9** to force air recirculation.

Prolonged use of this position may lead to odours, caused by non-renewal of air, and the formation of condensation on the windows.

We advise you to return to automatic mode as soon as air recirculation is no longer needed, by pressing button **8** or button **9** again.

To exit this function, press button **8** or button **9** again.

The demisting/de-icing will still take priority over the air recirculation.



# AIR CONDITIONING: information and operating instructions (1/2)

## Advice on use

In some situations (air conditioning off, air recirculation activated, ventilation speed at zero or low etc.), you may notice that condensation starts to form on the windows and windscreen.

If there is condensation, use the “**Clear View**” function to remove it, then use the air conditioning in automatic mode to stop it forming again.

### Vehicles equipped with mode ECO

Once activated, ECO mode may reduce air conditioning performance. Please refer to the information on “Driving advice, Eco-driving” in Section 2.



Do not add anything to the vehicle's ventilation circuit (for example, to remove bad odours).

**There is a risk of damage or of fire.**

## Fuel consumption

You will normally notice an increase in fuel consumption (especially in town) when the air conditioning is operating. For vehicles fitted with air conditioning with no automatic mode, switch off the system when it is not required.

### Advice for reducing consumption and helping to preserve the environment

Drive with the air vents open and the windows closed. If the vehicle has been parked in the sun, open the doors for a few moments to let the hot air escape before starting the engine.

## Maintenance

Refer to the Maintenance Document for your vehicle for the inspection frequency.

Use the air conditioning system regularly, even in cold weather, running it at least once a month for approximately 5 minutes.

## Operating faults

As a general rule, contact your approved dealer in the event of an operating fault.

### – Reduction in de-icing, demisting or air conditioning performance.

This may be caused by the passenger compartment filter cartridge becoming clogged.

### – No cold air is being produced.

Check that the controls are set correctly and that the fuses are sound. Otherwise, switch off the system.

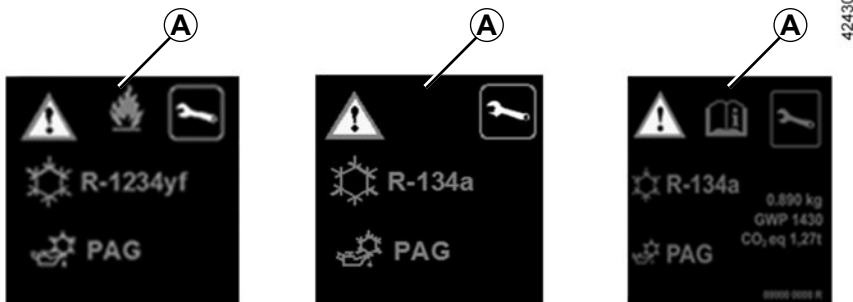
## Presence of water under the vehicle

After prolonged use of the air conditioning system, it is normal for water to be present under the vehicle. This is caused by condensation.



**Do not open the refrigerant fluid circuit.** The fluid may damage eyes or skin.


# AIR CONDITIONING: information and operating instructions (2/2)









The refrigerant circuit may contain fluorinated greenhouse gases.

Depending on the vehicle, you will find the following information on label **A** affixed inside the engine compartment.

The presence and location of the information on label **A** depends on the vehicle.

 **Do not open the refrigerant circuit.** The fluid may damage eyes or skin.

 Before performing any action in the engine compartment, the ignition must be switched off (please see the information on “Starting, stopping the engine” in Section 2).

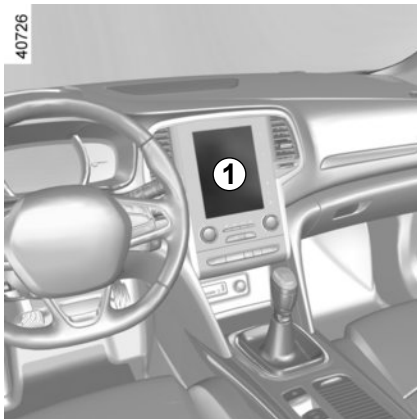
-  Type of refrigerant fluid
-  Type of oil in the air conditioning circuit
-  Inflammable product
-  Consult the driver's handbook
-  Maintenance

x.xxx kg Quantity of refrigerant fluid present in the vehicle.

GWP xxxxx Global Warming Potential (CO<sub>2</sub> equivalent).

CO<sub>2</sub> eq x.xx t Quantity in weight and in CO<sub>2</sub> equivalent.

# OUTSIDE AIR QUALITY AND DEODORISATION FUNCTION



With the air conditioning switched on, from the multimedia screen **1**, select "Vehicle", "Take care".

## Outside air quality

The quality of the air in the vehicle is shown via an explanatory text and an animation on the multimedia screen.

Please refer to the multimedia equipment instructions for further information.

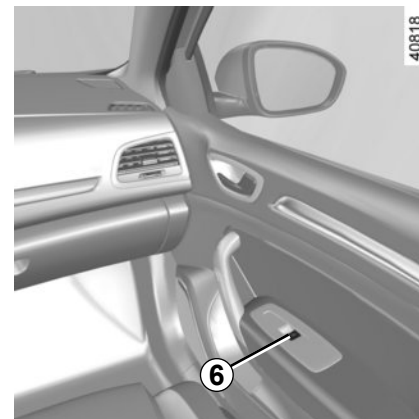
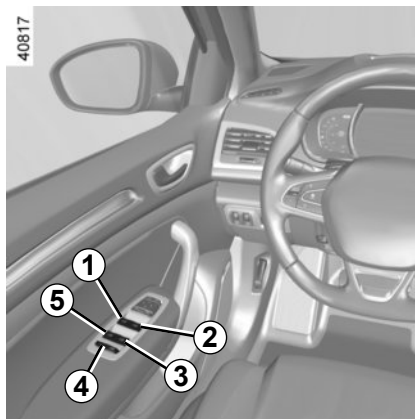
## ELECTRIC WINDOWS (1/2)

### Electric windows

#### These systems operate:

- with the engine running;
- with the ignition off until one of the front doors is opened (limited to approximately 12 minutes).
- with the engine off, front doors closed, after pressing the start button.

Press the window switch down or pull it up to lower or raise the window to the desired height: the rear windows do not open fully.



From the driver's seat, use switch:

- 1** for the driver's side;
- 2** for the front passenger side;
- 3** and **5** for the rear passenger windows.

From the passenger seats, use switch **6**.



#### Safety of rear occupants

The driver can prevent operation of the rear electric windows by pressing switch **4**. A confirmation message is displayed on the instrument panel.

#### Driver's responsibility

Never leave your vehicle with the RENAULT card or key inside, and never leave a child, adult who is not self-sufficient or a pet, even for a short while. They may pose a risk to themselves or to others by starting the engine or activating equipment (such as the gear lever or electric windows). If any part of the body becomes trapped, reverse the direction of the window immediately by pressing the relevant switch.

#### Risk of serious injury.

Avoid resting any objects against a half-open window: there is a risk that the electric window could be damaged.

## ELECTRIC WINDOWS (2/2)

### One-touch mode

This mode works in addition to the operation of the electric windows described previously.

Briefly press or pull the window switch fully: the window is fully lowered or raised. Pressing the switch again stops the window moving.

**Note:** if the window detects resistance when closing (e.g.: branch of a tree, etc.) it stops and then lowers again by a few centimetres.

### Remote control window closing

(vehicles with 4 one-touch electric windows).

When you lock the doors from the outside, **press the locking button on the RENAULTcard twice in quick succession, or on the driver's door** in hands-free mode, and all the windows will close automatically (and, depending on the vehicle, the sunroof).

It is recommended that the user only operates the system when the vehicle can be seen clearly and no one is inside.

### Operating faults

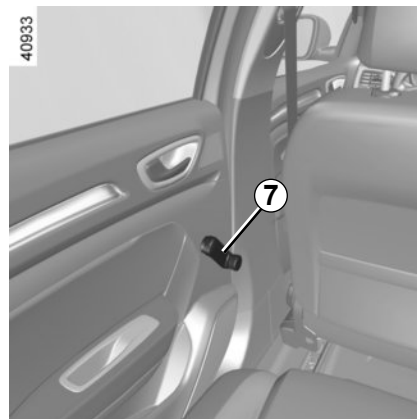
In case of a fault when closing a window, the system reverts to normal mode: pull the switch as many times as necessary until the window closes completely, hold the switch (still on the closing side) for around one second, then completely lower then raise the window to reset the system.

If necessary, contact an approved Dealer.



When closing the windows, ensure that no part of the body (arm, hand, etc.) is protruding from the vehicle.

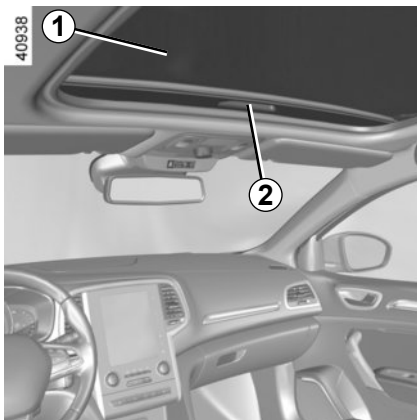
**Risk of serious injury.**



### Manual window winder controls

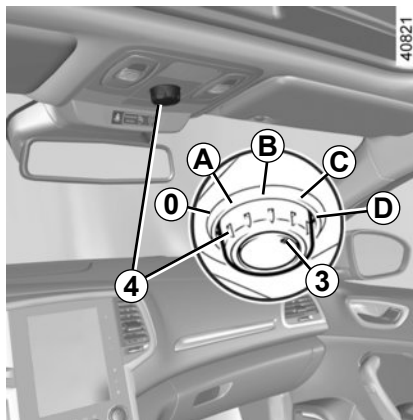
Turn the handle 7.

## ELECTRIC SUNROOF (1/3)



### To slide the curtain 1

- **to open:** push the handle 2 rearwards to move the blind to the desired position;
- **to close:** pull the handle 2 forwards to move the blind to the desired position.



### To slide the sunroof

- **To tilt:** move the marked position 3 to position A.
- **to open:** move the marked position 3 to position B, C or D depending on the type of opening required;
- **to close:** move the marked position 3 to position 0.



#### Driver's responsibility

Never leave an animal, child or non-autonomous adult alone in your vehicle, even for a short time.

The reason for this is that the child may endanger himself or others by starting the engine, activating equipment such as the window winders for example, or locking the doors.

If something gets trapped, reverse the direction of travel as soon as possible by turning button 4 fully to the right (position D).

**Risk of serious injury.**

## ELECTRIC SUNROOF (2/3)

### Closing the sunroof by remote control

If you **press the locking button on the** card twice in quick succession **RENAULT**, the windows and the electric sunroof will close automatically.

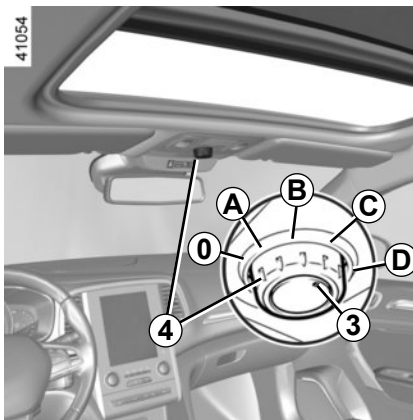
It is recommended that the user only operates the system when the vehicle can be seen clearly and no one is inside.



If the vehicle is equipped with this function, this action will activate deadlocking.

Refer to the information on "RENAULT card: deadlocking" or "Radiofrequency remote control: deadlocking" in section 1.

Check that there is no-one still inside the vehicle



### Special features

Your vehicle is fitted with an anti-pinch facility: when the sunroof encounters resistance whilst closing (branch of a tree, etc.), it stops and then moves back a few centimetres.

After closing the sunroof by remote control, pressing button **4** allows the sunroof to return to its previous position.

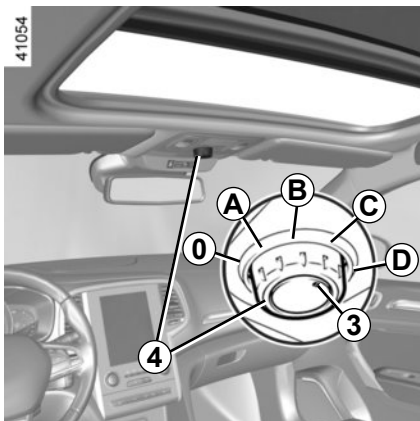
The sunroof will not open when the temperature is below  $-20^{\circ}\text{C}$ . However, it will still close.



When closing the sunroof, ensure that no part of the body (arm, hand, etc.) is protruding from the vehicle.

**Risk of serious injury.**

## ELECTRIC SUNROOF (3/3)



### Operating faults

If the sunroof will not close, move the marked position **3** to position **0** then press button **4** until the sunroof is completely closed: consult an approved dealer.

Important: during this operation, the sunroof anti-pinch function is deactivated. Contact your approved Dealer as soon as possible.

### Precautions during use

#### – Vehicle with loaded roof bars.

As a general rule, if there is a load on the roof, use of the sunroof is not recommended.

Before using the sunroof, check the objects and/or accessories (bike racks, roof boxes, etc.) attached to the roof bars: they should be properly arranged and secured and should not interfere with the operation of the sunroof.

Contact an approved dealer for details of possible conversions;

- **check** that the sunroof is properly closed before leaving your vehicle;
- **clean** the seal every three months using products recommended by our Technical Department;
- **do not open** the sunroof immediately after it has rained or immediately after washing the vehicle.



#### Driver's responsibility

Never leave an animal, child or non-autonomous adult alone in your vehicle, even for a short time.

The reason for this is that the child may endanger himself or others by starting the engine, activating equipment such as the window winders for example, or locking the doors.

If something gets trapped, reverse the direction of travel as soon as possible by turning button **4** fully to the right (position **D**).

**Risk of serious injury.**



## INTERIOR LIGHTING (1/2)

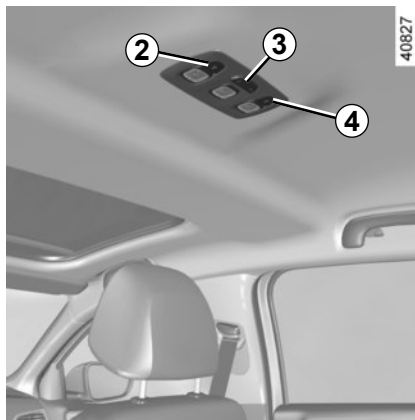


### Map reading lights

Press switch **1** to get:

- permanent lighting;
- immediate switching off.

When the doors or boot are unlocked and opened, the reading and footwell lights come on temporarily.



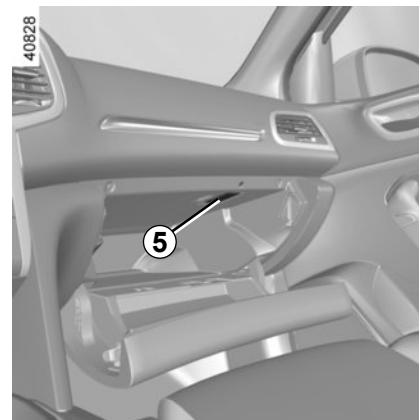
### Courtesy light

Press switch **3** for:

- permanent lighting;
- intermittent lighting, which comes on when a door is opened. It only switches off after a time delay and when the doors concerned have been closed correctly;
- lighting switches off immediately.

### Map reading lights

Press switches **2** and **4**.



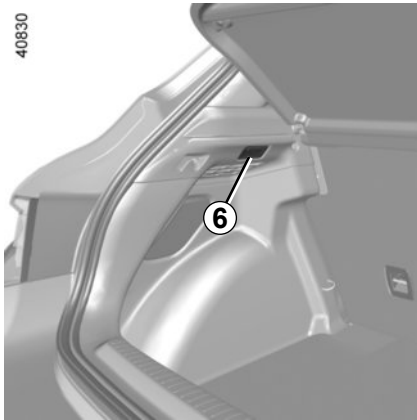
**Note:** for vehicles fitted with a navigation system, you can use the multimedia screen to deactivate/activate the courtesy lights which come on when the doors or boot are opened. To do this, please refer to “Vehicle settings customisation menu” in Section 1.

### Glove box light 5

The light comes on when the cover is opened.

## INTERIOR LIGHTING (2/2)

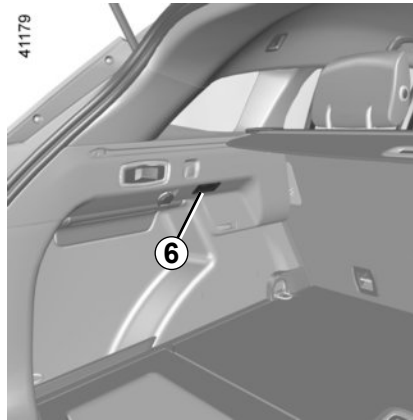
40830



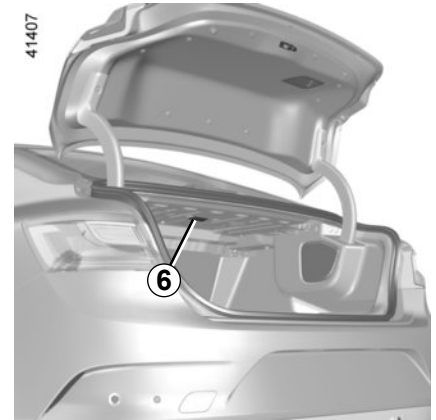
### Luggage compartment light 6

The light comes on when the luggage compartment is opened.

41179

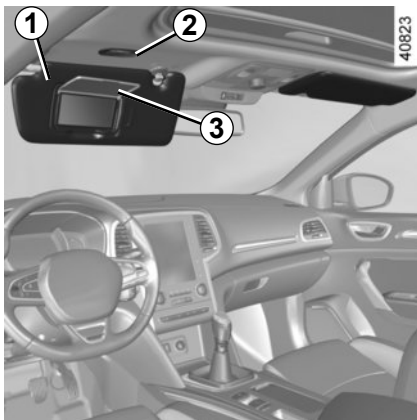


41407



With the doors properly shut, locking or starting the engine makes the interior lights and the courtesy lights go out.

## SUN VISOR, BLINDS



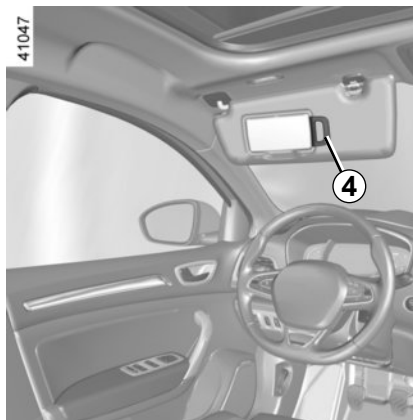
### Front sun visor

Lower the sun visor **1** on the windscreen or unclip it and lower it over the side window.

### Vanity mirror

Lift the cover **3**.

The light **2** switches on automatically.



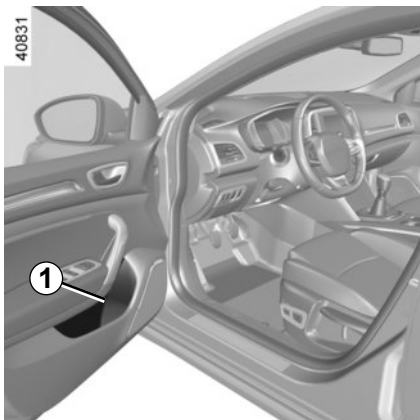
### Ticket holder **4**

Can be used to hold motorway toll tickets, maps, etc.



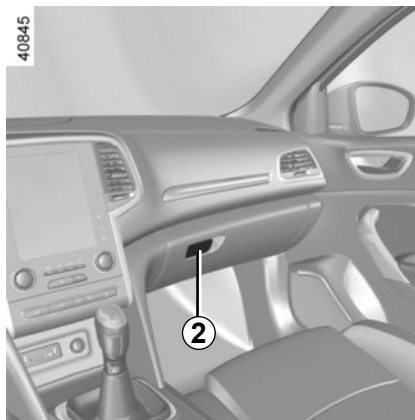
When driving, ensure the courtesy mirror cover is closed. Risk of injury.

## PASSENGER COMPARTMENT STORAGE SPACE AND FITTINGS (1/4)



### Door pockets **1**

It can hold a bottle.



### Passenger storage compartment

Pull handle **2** to open it.

The glove box can hold A4-sized documents, a bottle etc.

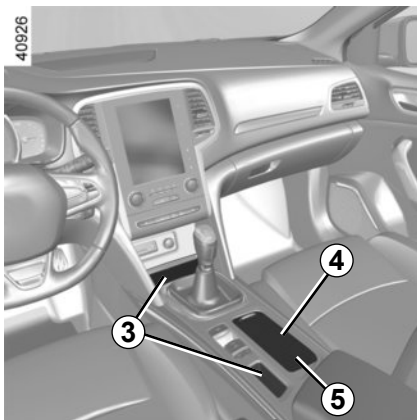


Ensure that no hard, heavy or pointed objects are placed in the “open” storage compartments in such a way that they may fall onto passengers during sudden turning or braking.



Nothing should be placed on the floor area in front of the driver as such objects may slide under the pedal during braking manoeuvres, thus obstructing its use.

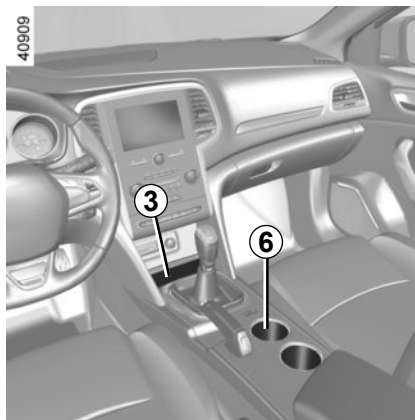
## PASSENGER COMPARTMENT STORAGE SPACE AND FITTINGS (2/4)



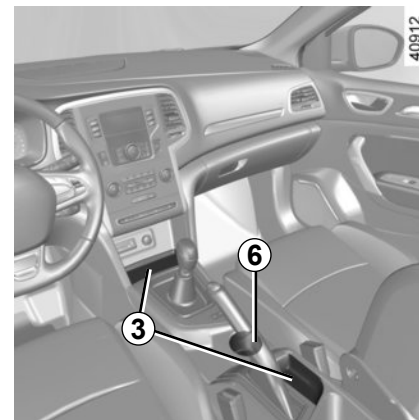
### Central storage compartment 4

A sliding system 5 holds maintains the

### Central storage compartment 3



### Cup holders 6



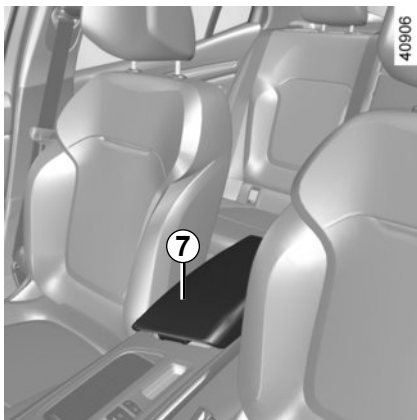
When turning corners, accelerating or braking, ensure that the receptacle being held by the cup holder is not dislodged.

There is a risk of burning if hot liquid escapes.



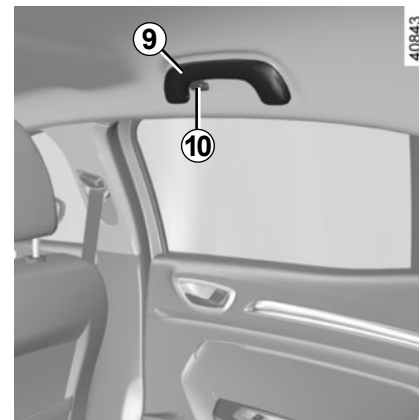
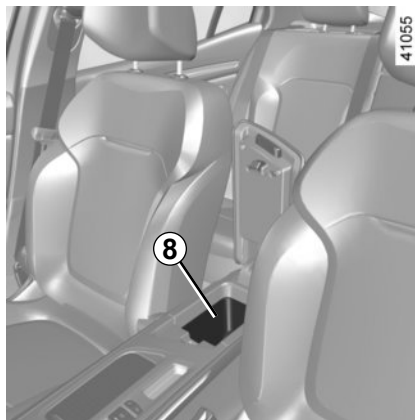
Ensure that no hard, heavy or pointed objects are placed in the "open" storage compartments in such a way that they may fall onto passengers during sudden turning or braking.

## PASSENGER COMPARTMENT STORAGE SPACE AND FITTINGS (3/4)



### Central storage compartment 8

With the sliding armrest 7 in its rear-most position, raise it.



### Grab handle 9

This offers support and can be held when the vehicle is being driven.

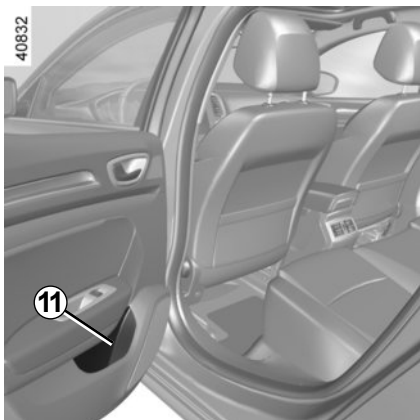
Do not use it for getting into or out of the vehicle.

### Clothes hooks 10

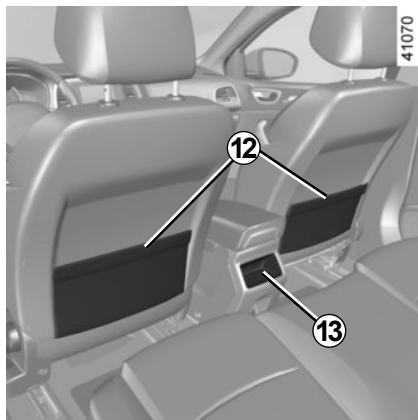


Nothing should be placed on the floor area in front of the driver as such objects may slide under the pedal during braking manoeuvres, thus obstructing its use.

## PASSENGER COMPARTMENT STORAGE SPACE AND FITTINGS (4/4)



**Rear door storage compartment 11**



**Front seat storage pockets 12**

**Rear central storage compartment 13**



**Rear armrest with cup holder**

Lower armrest 14.



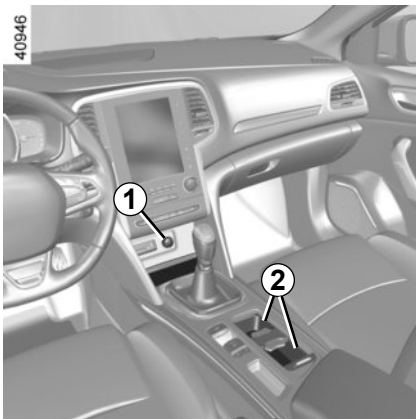
Ensure that no hard, heavy or pointed objects are placed in the “open” storage compartments in such a way that they may fall onto passengers during sudden turning or braking.



When turning corners, accelerating or braking, ensure that the receptacle being held by the cup holder is not dislodged.

**There is a risk of burning if hot liquid escapes.**

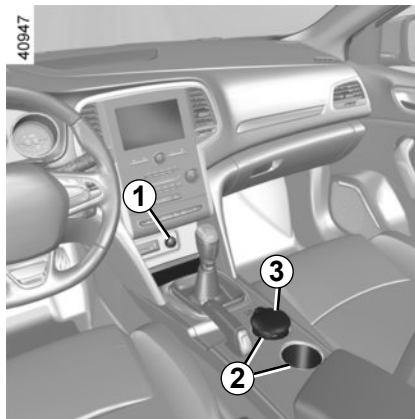
# ASHTRAY, CIGARETTE LIGHTER, ACCESSORIES SOCKET (1/2)



## Cigarette lighter 1

With the ignition on, push in cigar lighter **1**, it will spring back with a click when it is ready. Pull it out to use. After use, replace it without pushing it all the way in.

If your vehicle is not fitted with a cigar lighter and an ashtray, these can be obtained from an authorised dealer.



## Ashtray 3

It can be housed in either position **2**.

To open, lift the cover. To empty, pull the ashtray towards you and it will be released from its housing **2**.



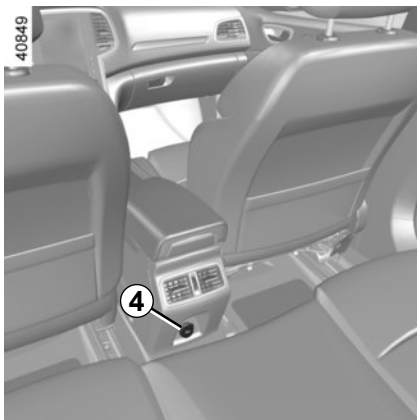
Connect accessories with a maximum power of 120 watts (12 V) only.

When several accessory sockets are used at the same time, the total power of the connected accessories must not exceed 180 watts.

**Fire hazard.**

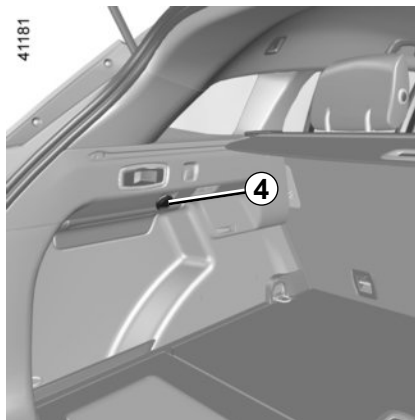


## ASHTRAY, CIGARETTE LIGHTER, ACCESSORIES SOCKET (2/2)



### Accessories sockets 4

You can use the one of sockets 4. They are provided for connecting accessories approved by our Technical Department.

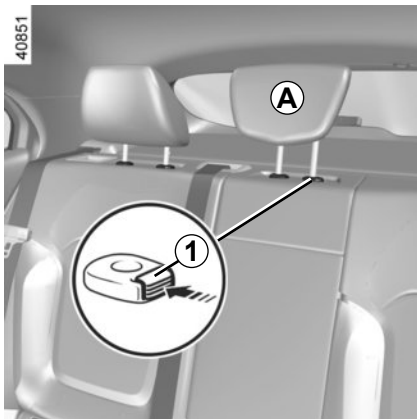


Connect accessories with a maximum power of 120 watts (12 V) only.

When several accessory sockets are used at the same time, the total power of the connected accessories must not exceed 180 watts.

**Fire hazard.**

## REAR HEADRESTS (1/2)

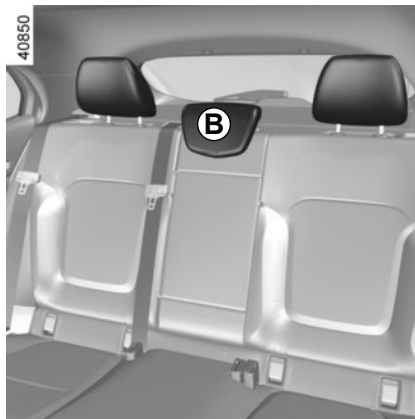


### Position for using the central headrest A

Raise the headrest as far as possible to use it in the high position. Check that it is correctly locked.



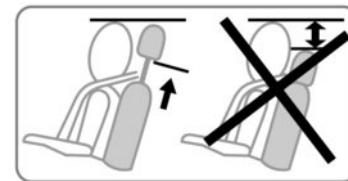
The headrest is a safety component; check that it is fitted and in the correct position. The top of the headrest should be as close as possible to the top of the head.



### Centre seat headrest B storage position

Press the button **1** and lower the headrest completely.

**Set the headrest at the lowest position or tilted forwards for storage only:** do not set it in this position when the seat is occupied or if the child seat is fitted.



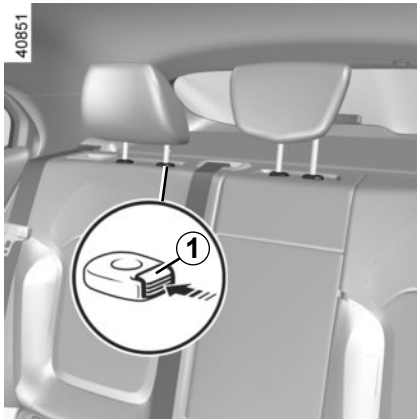
### To remove a headrest

Raise the headrest as far as it will go, then press button **1** and remove the headrest.

### To refit a headrest

Insert the rods in the holes, press the button **1** and lower the headrest. Check that the bonnet is correctly locked.

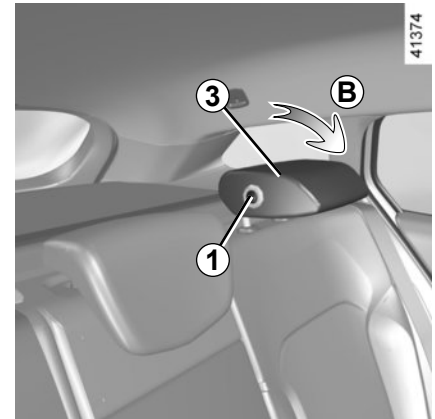
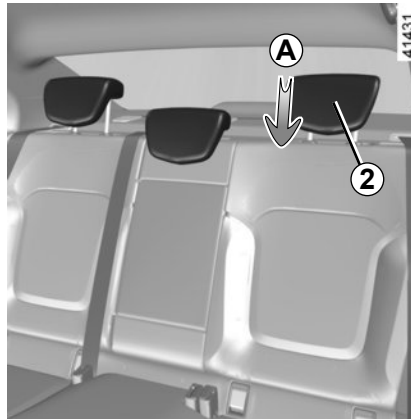
## REAR HEADRESTS (2/2)



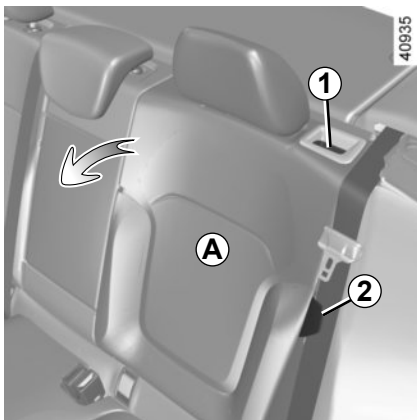
### Storage position for the side headrests

Press the button **1** and, depending on the vehicle:

- fully lower (movement **A**) the headrest **2**, or
- lower and tilt (movement **B**) the headrest **3** fully forwards.



## REAR BENCH SEAT (1/2)

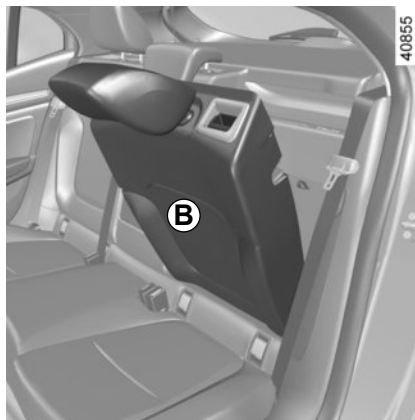


### To manually fold down the seatbacks

Ensure that the front seats are far enough forward.

Raise the side headrests to the highest position and lower the central headrest fully.

Depending on the vehicle, put the seat belt in the belt guide **2** to avoid damaging it, or buckle it its own unit. This will prevent the seat belt becoming trapped when the seat is returned to its position for use. In all cases, check that the seat belts are operating correctly.



Pull the control **1** and lower the seatback **A**.

**To replace the seatback**, proceed in the reverse order to removal. Refit the seatback and click it back into place.



For safety reasons, carry out any adjustments when the vehicle is not being driven.



The configuration of the two-seat bench with the small seatback **B** pulled down, does not allow the central seat to be used as it would be impossible to buckle the seat belt (belt buckles inaccessible).



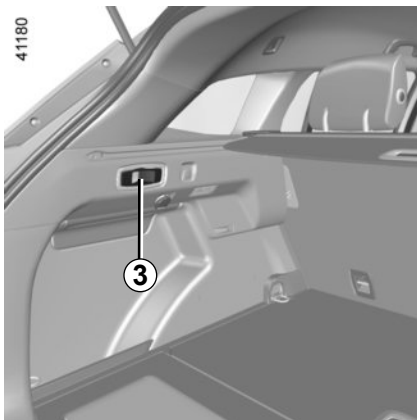
**When refitting the seatback**, make sure it is correctly locked in place.

**If seat covers are fitted**, make sure these do not prevent the seatback latch from locking in. Make sure that the seat belts are positioned correctly. Reposition the headrests.



When moving the rear seats, ensure that nothing obstructs the anchorage points (passenger's arm or leg, a pet, gravel, cloth, toys, etc.).

## REAR BENCH SEAT (2/2)



### To automatically fold down the seatbacks (flat position)

(Estate version)

From the boot, pulling the control **3** enables you to automatically unlock the rear bench seatbacks to get a flat floor.

### Conditions of use

- Vehicle stationary;
- luggage compartment lid open;
- rear seat belts locked.

### Operating faults

If all user conditions have been fulfilled and the folding action still fails to operate, please contact an authorised dealer.

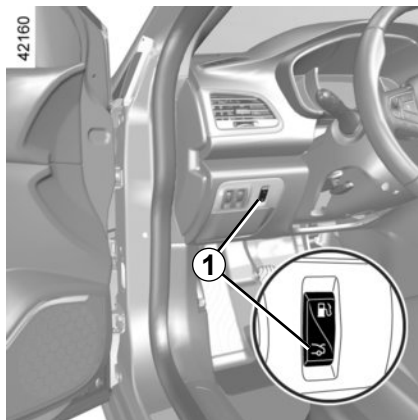


When moving the rear seats, ensure that nothing obstructs the anchorage points (passenger's arm or leg, a pet, gravel, cloth, toys, etc.).

## LUGGAGE COMPARTMENT: 4 DOOR VERSION (1/3)

Depending on the vehicle, there are various ways to unlock and operate the luggage compartment lid:

- by the locking/unlocking button on the remote control key (refer to the information on “Radiofrequency Remote Control: use” in section 1);
- by the locking/unlocking button on card RENAULT (refer to the information on “Card RENAULT: use in section 1);
- via the external boot lid control;
- using the hands-free function;
- using the dashboard control.



When opening or closing the luggage compartment lid, ensure that nothing obstructs the manoeuvre.



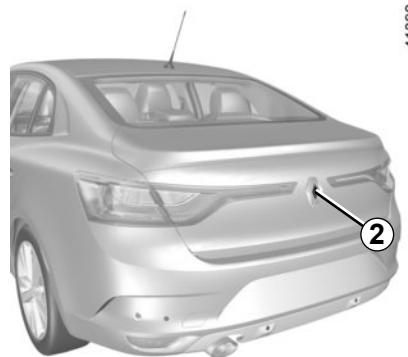
As a safety precaution, the doors should only be opened or closed when the vehicle is stationary.

**Risk of injury.**



Ensure that nobody is close to the moving parts when opening/closing the boot lid.

**Risk of injury.**



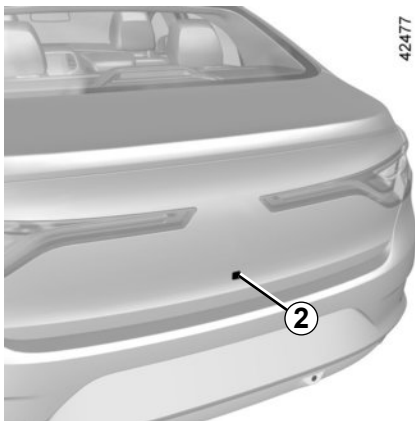
### Manual controls

#### To open

Depending on the vehicle, press the dashboard control **1** or the button **2**, the tailgate opens automatically.

**Note:** ensure that the surrounding space is sufficient to permit operation of the boot lid before you open it.

## LUGGAGE COMPARTMENT: 4-DOOR VERSION (2/3)



42477

### To close

Lower the boot lid using the handle inside the boot to assist you.



42131

### Using the hands-free function

The hands-free function enables access to the luggage compartment when you have your hands full.

Ensure that the RENAULT card is approximately 1 metre away in the central area of the rear bumper of the vehicle (area **B**). With the ignition off, stand approximately 45 cm from the vehicle's rear bumper and move your foot forwards and backwards in area **A**.

The sensor detects the approach and then the removal of your foot and triggers the opening of the boot lid.

Do not keep your foot in the air. Perform the movement without stopping and without touching the rear bumper.



Disable the “hands-free” function before you:

- wash the vehicle in a roller-type car wash;
- wash the vehicle by hand;
- handle the towbar;
- ...

**Risk of accidental opening of the luggage compartment lid which may cause injury.**

## LUGGAGE COMPARTMENT: 4-DOOR VERSION (3/3)

### Activation/deactivation of the hands-free function

From the multimedia screen, select "Vehicle", "User settings", "Use hands-free card: open/close". Select "ON" or "OFF" to activate or deactivate the function.

### Usage features of the hands-free function

- The hands-free function is no longer available after a few days of lack of movement of the vehicle, or after around 15 minutes if the vehicle is unlocked. To reactivate it, use the unlocking button on the RENAULT card.
- The hands-free function is only available if the vehicle is stationary and the engine is switched off (and not on standby with the Stop and start function).
- The 'hands-free' feature may not work if the vehicle is equipped with a towbar or is in an area of high electromagnetic radiation.

### User precautions

- Before opening the tailgate, ensure that the surrounding space is sufficient to permit operation of the tailgate. Otherwise, stop the movement of the boot lid before it makes contact.
- The system may experience temporary difficulties if one of the sensors integrated in the rear of the bumper is obscured (by dirt, mud, snow, gritting salt, etc.). Clean the sensors. If there is still a problem, contact an approved dealer.

**Note:** in very cold weather conditions, the automatic opening may not work if the tailgate seals are frozen.



The attachment of any carrying device (bike rack, luggage box etc.) resting on the luggage compartment lid is prohibited. To install a carrying device on your vehicle, contact an Approved Dealer.



41399

### Opening the doors manually from the inside

If it is impossible to unlock the tailgate, it can be done manually from inside:

- access the luggage compartment by folding forward the seatback(s) of the rear bench seat;
- insert a flat-blade screwdriver or similar under the carpet above the mechanism **3** and slide the unit as shown in the illustration;
- push the boot lid to open it.



## LUGGAGE COMPARTMENT: 5-DOOR VERSION

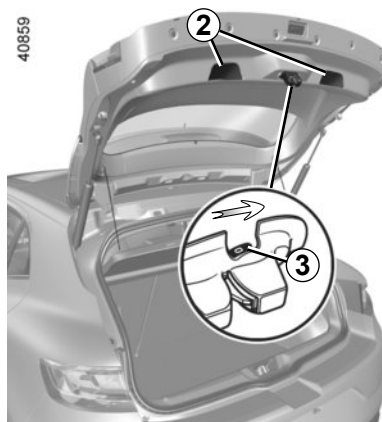


### To open

Press button **1** and lift the tailgate.

### To close

Lower the tailgate using the handles **2** inside the tailgate to help you.



### Opening manually from inside the vehicle

#### Special note:

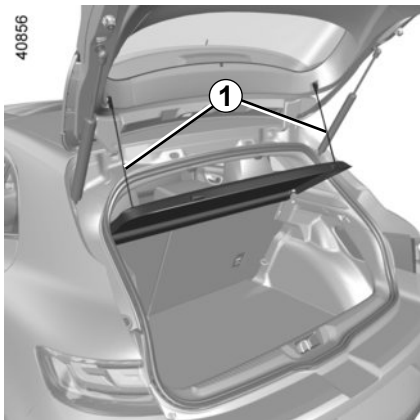
If it is impossible to unlock the tailgate, it can be done from inside.

- access the luggage compartment by folding forward the seatback(s) of the rear bench seat,
- insert a pencil or similar object in cavity **3** and slide the unit as shown in the illustration,
- push the tailgate to open it.



The attaching of any carrying device (bike rack, luggage box, etc.) resting on the luggage compartment lid is prohibited. To install a carrying device on your vehicle, contact an Approved Dealer.

## REAR PARCEL SHELF



### Removal

Unhook the two cords **1** (tailgate side).



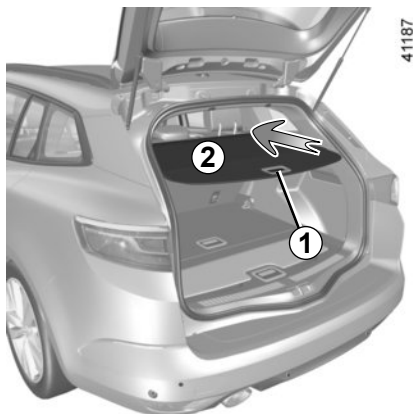
Unclip the rear parcel shelf **2** and pull it towards you.

To refit it, proceed in reverse order to removal.



Do not place any heavy or hard object on the parcel shelf. These may pose a risk to the vehicle occupants if the driver has to brake suddenly or if the vehicle is involved in an accident.

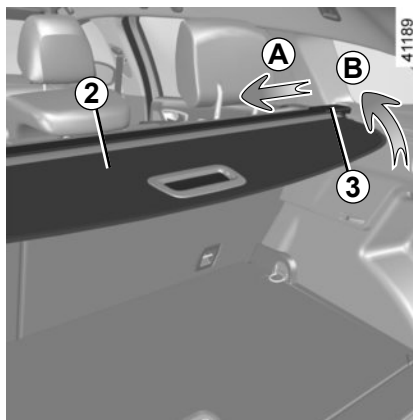
# LUGGAGE COMPARTMENT COVER



## To remove the flexible section of the luggage compartment cover 2

Press handle **1** to release the pins from their mounting points located on each side of the luggage compartment.

Allow the luggage cover to roll up.

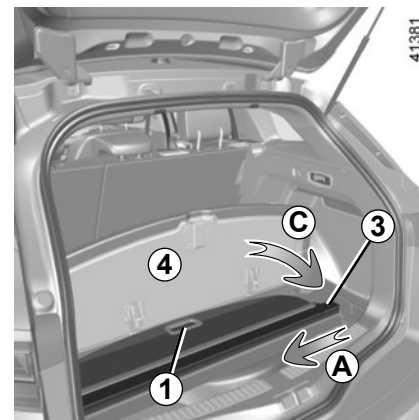


## Removing/refitting the luggage cover 2

Slide section **3** (movement **A**) and lift the right-hand side (movement **B**) of the roller at the same time.

Then lift the left-hand side of the roller and then remove the assembly.

To refit the luggage cover, carry out this procedure in reverse.



## Luggage compartment cover storage 2

Lift section **4** of the luggage compartment floor.

Pivot the luggage cover so that the handle **1** is visible and towards the front of the vehicle.

Store the luggage cover, handle **1** forwards, firstly by inserting the left-hand side into its housing, then insert the right-hand side (movement **C**) by sliding section **3** (movement **A**).

Close the luggage compartment floor.



Do not place any heavy or solid objects on the luggage cover. These may pose a risk to the vehicle occupants if the driver has to brake suddenly or if the vehicle is involved in an accident.

## LUGGAGE NET (1/2)

41388

**A**



**B**



Depending on the vehicle, this may be used when transporting animals or luggage to isolate them from the passenger section.

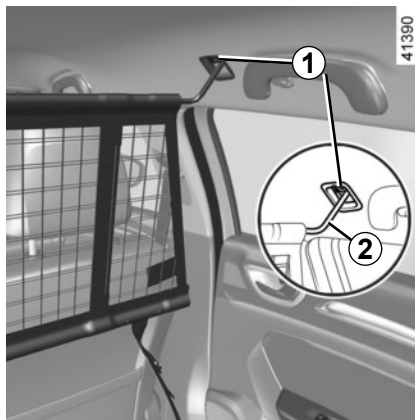
It can be positioned:

- behind the rear seats **A**;
- behind the front seats **B**.



The luggage net is designed to retain a maximum weight of 10 kg.

**Risk of injury.**

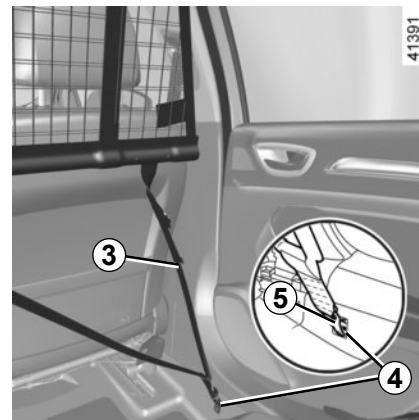


41390

### Fitting the luggage net behind the front seats

Inside the vehicle on each side:

- lower cover **1** to gain access to the anchoring points for the top part of the luggage net;
- insert the top rod of net **2** into the anchoring points;



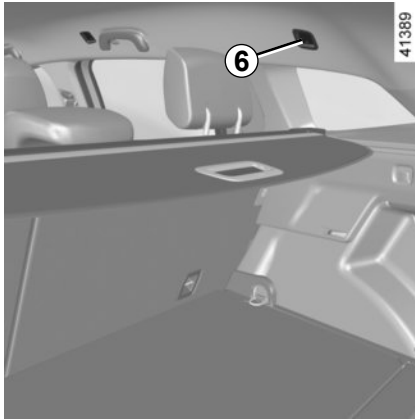
41391

- if using the net for the first time, to access the anchoring points **4** located under the carpet, contact an Approved Dealer;
- attach the two hooks **5** for the net straps **3** to the anchoring points **4**;
- adjust the net strap **3** so that it is taut.



Do not install the luggage net in this position when a passenger is occupying a rear seat.

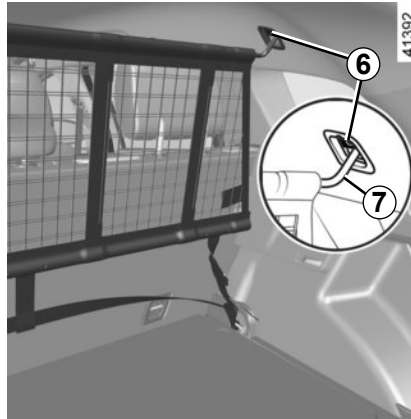
## LUGGAGE NET (2/2)



### Fitting the luggage net behind the rear seats

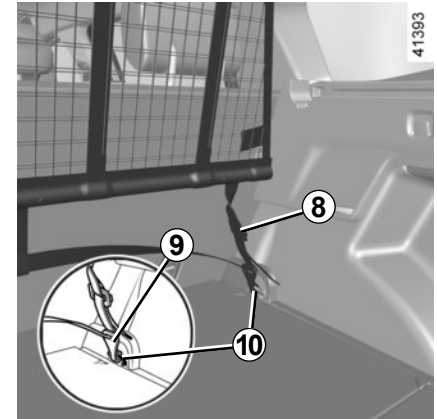
Inside the vehicle on each side:

- lift cover **6** to access the luggage net upper mounting rail;
- insert upper rod **7** for the net into the rail;

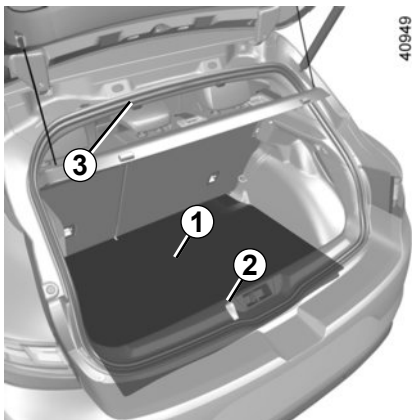


– fix the net belt hook **9** onto the anchoring points **10**;

– adjust net strap **8** so that it is taut. The seatbacks must not touch the luggage net.

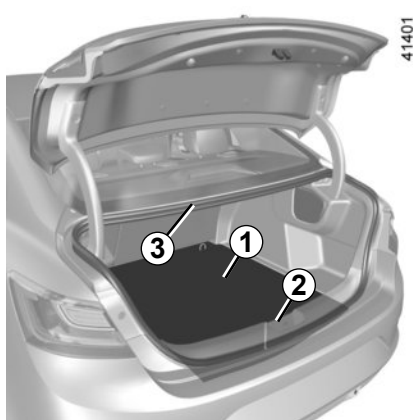


## BOOT STORAGE SPACE AND FITTINGS (1/5)



### Storage under the carpet

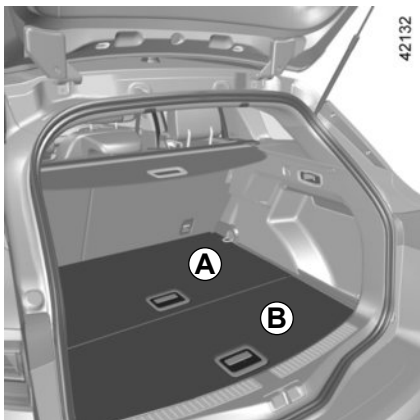
To gain access to this, lift the boot carpet **1** using the tab **2**.



The false floor can be attached using the hook **4** in the housing **3**.

Always place objects being transported so that the heaviest items are resting against the back of the rear bench seat.

## BOOT STORAGE SPACE AND FITTINGS (2/5)

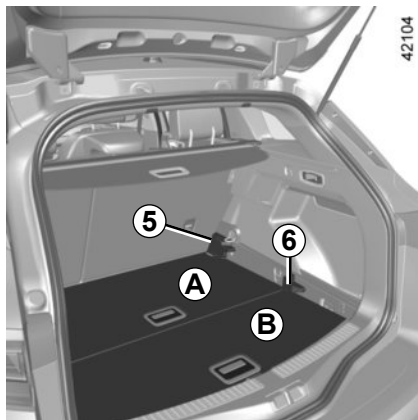


### Mobile floor

(Estate version)

It is made up of two independent parts, **A** and **B**.

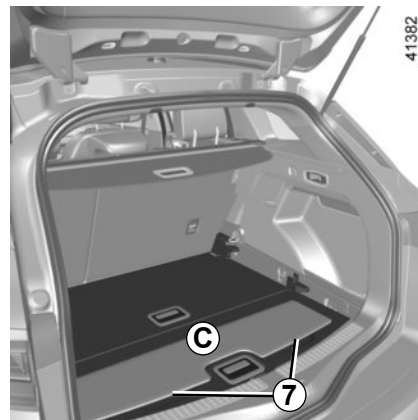
When the rear seats are folded down, this position provides a flat floor.



### Storage position

This allows for more space to store things in the boot.

- Remove part **B** then part **A** of the mobile floor;
- place part **A** then part **B** under the supports **5** and **6**.



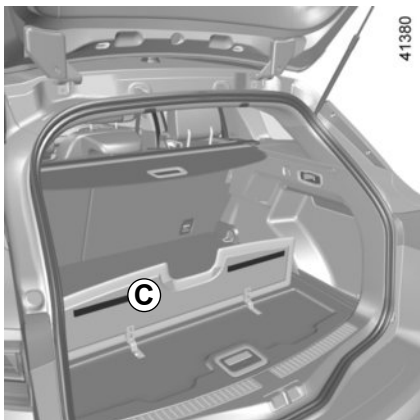
### Separation position

This enables you to compartmentalise the boot into two separate spaces.

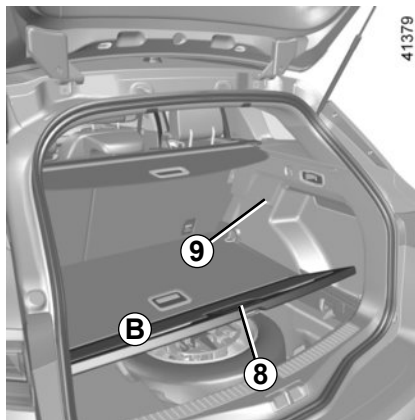
Slide your fingers under the spaces **7**.

Maximum load allowed on the mobile floor when flat: 50 kg evenly distributed.

## BOOT STORAGE SPACE AND FITTINGS (3/5)

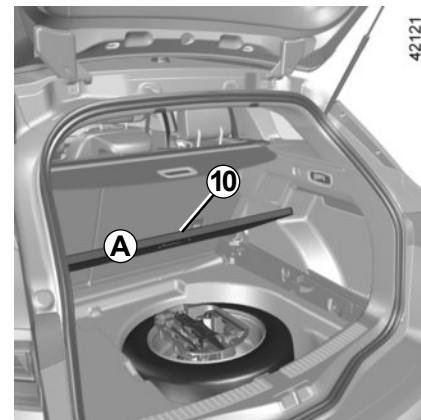


Lift part **C** into the vertical position until it locks.



### Storage under floor

To access it, lift part **B** of the mobile floor using the handle **8**, then place it on part **A**.

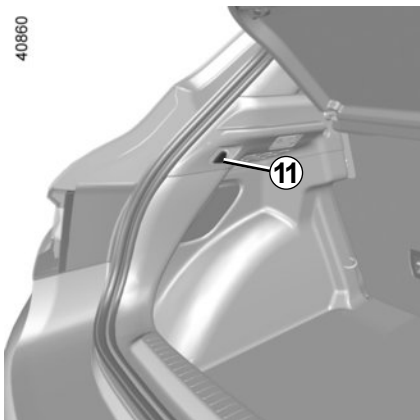


Lift part **A** using handle **10** and place it on the lugs **9**.



## BOOT STORAGE SPACE AND FITTINGS (4/5)

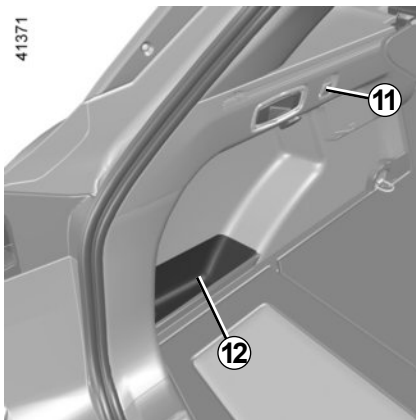
40860



### Bag hooks 11

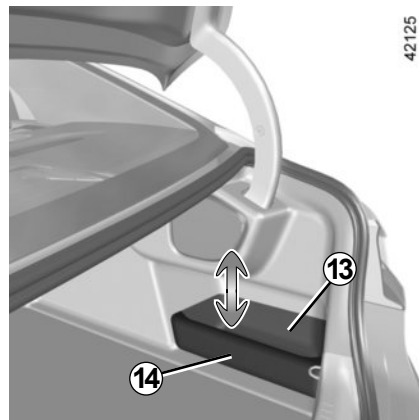
Maximum weight per hook: 5 kg.

41371



### Storage compartment 12 (Estate version)

42125

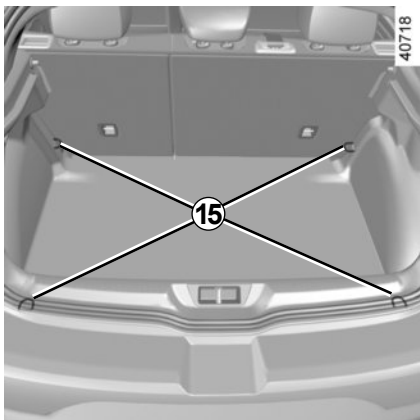


### Storage compartment 13 (four-door version)

To remove the tailboard **14**, pull upwards until it unclips.

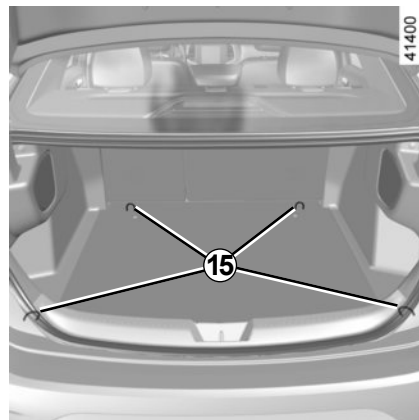
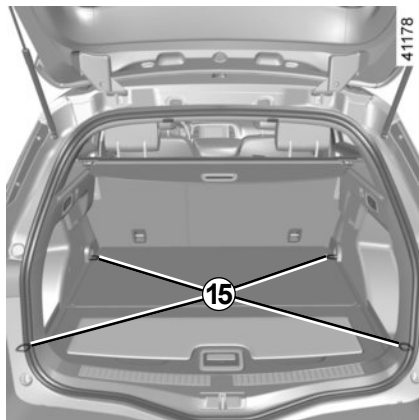
To replace the tailboard, push it into its housing until you hear a click.

## BOOT STORAGE SPACE AND FITTINGS (5/5)



### Anchorage points

Attachment points **15**



Always position the heaviest items directly on the floor. Use the lashing points **15** on the boot floor, if these are fitted to the vehicle. The luggage should be loaded in such a way that no items will be thrown forward and strike the occupants if the driver has to brake suddenly. Fasten the rear seat belts, even if the seats are not occupied.

If your vehicle is not equipped with anchorage points, you can get them from an authorised dealer.

Always place objects being transported so that the heaviest items are resting against the back of the rear bench seat.

## TRANSPORTING OBJECTS IN THE LUGGAGE COMPARTMENT

Always position the objects transported so that the largest surface is against:

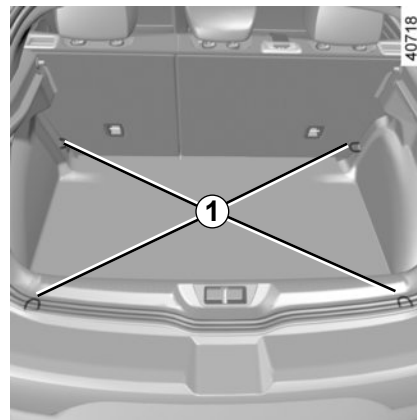
- The rear bench seatback for normal loads (example **A**).



- The front seatbacks with the rear seatbacks folded down, as is the case for maximum loads (example **B**).



If you have to place objects on the folded seatback, it is necessary that you lower the headrests before folding the seatback so that it can be folded as flat as possible against the seat.



Always position the heaviest items directly on the floor. Use the lashing points **1** on the boot floor, if these are fitted to the vehicle. The luggage should be loaded in such a way that no items will be thrown forward and strike the occupants if the driver has to brake suddenly. Fasten the rear seat belts, even if the seats are not occupied.

## TRANSPORTING OBJECTS towbar

**Permissible nose weight, maximum permissible towing weight, braked and unbraked:** refer to the information on “Weights” in Section 6.

### Choice and fitting of towing equipment

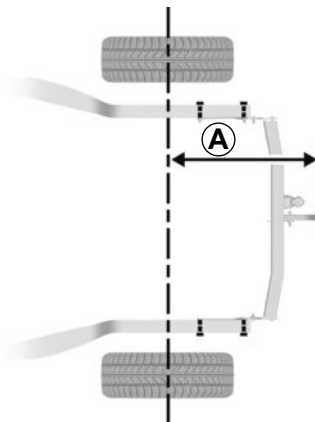
Maximum weight of towing equipment:

- 36 kg (5-door version);
- 37 kg (4-seater and estate versions).

For fitting and conditions of use, refer to the equipment’s fitting instructions.

Please keep these instructions with the rest of the vehicle documentation.

24981



**A:** 895 mm maximum (5-door version)

**A:** 1120 mm maximum (Estate version)

**A:** 1127 mm maximum (4-door version)

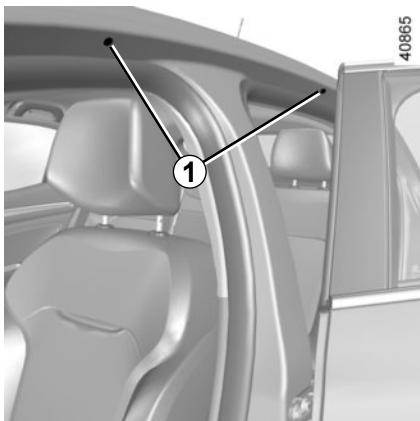
24982



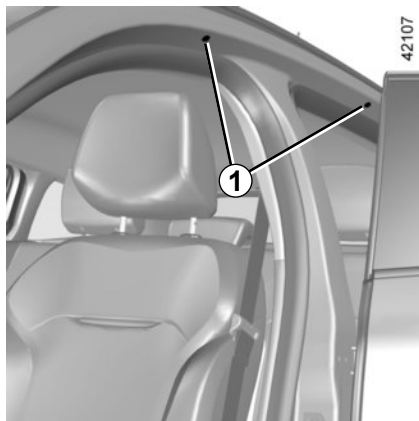
If the towbar ball obscures the registration plate or the rear fog lights, it should be removed when not in use.

In all cases, comply with local legislation.

## ROOF BARS (1/2)

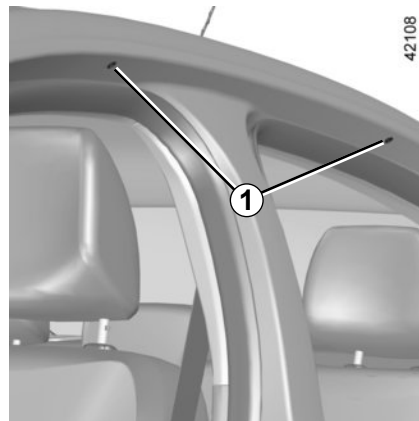


**Access to the mounting points**



**Vehicles not fitted with longitudinal roof bars**

Open the doors to access the mounting points **1**.



For information on the range of equipment adapted to your vehicle, we advise you to consult an approved Dealer.

Refer to the fitting instructions for information on how to fit roof bars and conditions of use.

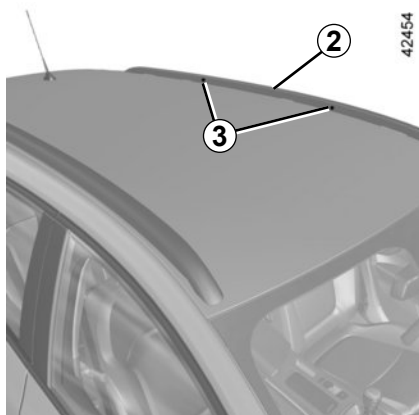
Please keep these instructions with the rest of the vehicle documentation.

**Maximum permissible load on roof rack:** refer to the information on “Weights” in Section 6.



If original roof bars, approved by our Technical Department, are supplied with screws, only use these screws for attaching the roof bars to the vehicle.

## ROOF BARS (2/2)



### Vehicles fitted with longitudinal roof bars

The attachment inserts **3** are located on the longitudinal roof bars **2**.

## Precautions during use

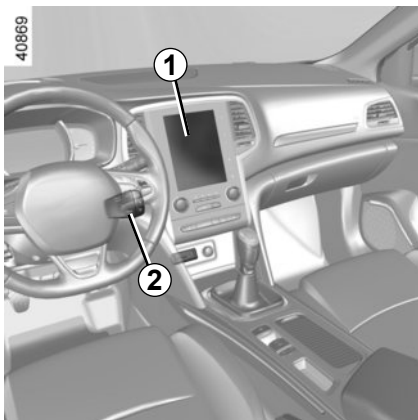
### Handling the tailgate

Before handling the tailgate, check the objects and/or accessories (bike rack, roof box, etc.) fitted to the roof bars: these must be correctly positioned and secured, so as not to hinder the operation of the tailgate.



The attaching of any carrying device (bike rack, luggage box, etc.) resting on the luggage compartment lid is prohibited. To install a carrying device on your vehicle, contact an Approved Dealer.

## MULTIMEDIA EQUIPMENT (1/2)



### Multimedia settings

- 1 Multimedia screen;
- 2 Steering column controls;
- 3 Steering wheel controls;
- 4 Microphone.

Refer to the equipment instructions for information on how to operate this equipment.



### Hands-free telephone integrated control

For equipped vehicles, use the steering wheel controls 3.

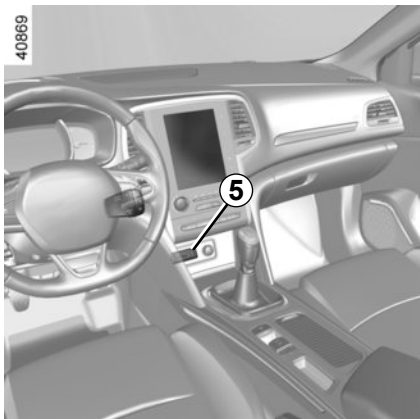


#### Using the telephone

We remind you of the need to conform to the legislation in force concerning the use of such equipment.



## MULTIMEDIA EQUIPMENT (2/2)



### Multimedia sockets 5

You can use the USB ports or, depending on the vehicle, the SD card reader to access the multimedia content of your accessories and the system update (please refer to the equipment instructions).

The various sources can be selected from the multimedia screen and from the steering column controls.

The sockets USB can also recharge accessories with a maximum power rating of 12 Watts (voltage: 5V) per socket, which have been approved by our Technical Department.

The JACK socket enables the radio to be used with an auxiliary cable.



Connect accessories with a maximum power of 12 watts only.

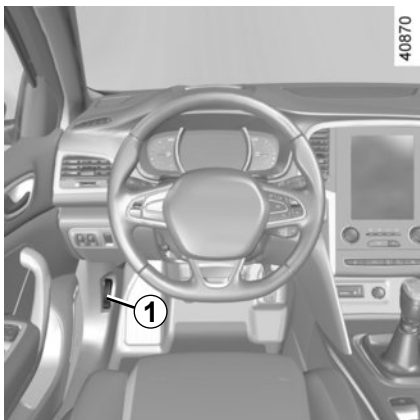
**Fire hazard.**



# Section 4: Maintenance

Bonnet . . . . .	4.2
Engine oil level: general information . . . . .	4.4
Engine oil level: topping up and filling . . . . .	4.5
Oil change . . . . .	4.8
Levels: . . . . .	4.9
engine coolant . . . . .	4.9
brake fluid . . . . .	4.10
windscreen washer reservoir . . . . .	4.11
Filters . . . . .	4.11
Battery . . . . .	4.12
Tyre Pressure . . . . .	4.14
Bodywork maintenance . . . . .	4.16
Interior trim maintenance . . . . .	4.19

## BONNET (1/2)



To open, pull handle **1**, located on the left-hand side of the dashboard.



Before performing any action in the engine compartment, the ignition must be switched off (please see the information on “Starting, stopping the engine” in Section 2).



### Unlocking the bonnet catch

To unlock, push tab **3** at the same time as opening the bonnet.

### Opening the bonnet

Lift the bonnet, guiding it up, and it will rest in position with the help of two struts **2**.



Do not press down on the bonnet: there is a risk that the bonnet may accidentally close.




When working in the engine compartment, ensure that the windscreen wiper stalk is in the park position.

**Risk of injury.**



Please note when working close to the engine that it may be hot. In addition, the engine cooling fan may

come on at any moment. The  warning light in the engine compartment reminds you of this.

**Risk of injury.**

## BONNET (2/2)

### Closing the bonnet

Check that nothing has been left in the engine compartment.

To close the bonnet again, hold the bonnet in the middle and guide it down, allowing a 30 cm gap before it is closed, then release it. It will latch automatically under its own weight.



After carrying out any work in the engine compartment, check that nothing has been left behind (cloth, tools, etc.). These may damage the engine or cause a fire.



Ensure that the bonnet is properly locked. Check that nothing is preventing the catch from locking (gravel, cloth, etc.).



In the event of even a slight impact involving the radiator grille or bonnet, have the bonnet lock checked by an authorised dealer as soon as possible.

## ENGINE OIL LEVEL: general information

It is normal for an engine to use oil for lubrication and cooling of moving parts and it is normal to top up the level between oil changes.

However, contact your approved Dealer if more than 0.5 litres is being consumed every 600 miles (1,000 km) after the running in period.

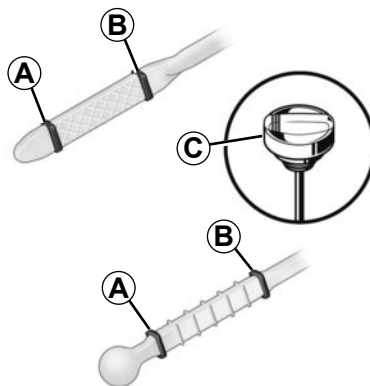
**Oil change frequency: check the oil level from time to time and certainly before any long journey to avoid the risk of damaging your engine.**

### Reading the oil level

The oil level should be read with the vehicle on level ground, after the engine has been switched off for some time.

**The dipstick must be used to read the exact oil level and make sure that the maximum level has not been exceeded (risk of engine damage).** Refer to the following pages.

The instrument panel display only alerts the driver when the oil level is at its minimum.



- remove the dipstick and wipe with a clean, lint-free cloth;
- push the dipstick in as far as it will go (for vehicles equipped with a cap-type dipstick **C**, screw the cap in as far as it will go);
- take out the dipstick again;
- read the level: it should never fall below minimum mark **A** or exceed maximum mark **B**.

Once the operation has been completed, ensure that the dipstick is pushed in as far as it will go or that the “cap-type dipstick” is completely screwed in.



Before performing any action in the engine compartment, the ignition must be switched off (please see the information on “Starting, stopping the engine” in Section 2).



### Adding engine oil

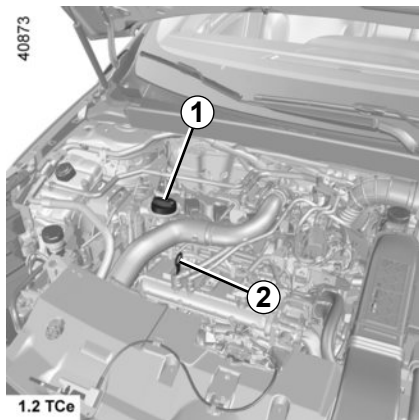
Use a funnel or protect the filling neck area to avoid engine oil escaping onto a hot part of the engine compartment or a sensitive part (e.g. electrical components). **Fire hazard.**



### Exceeding the maximum engine oil level

Under no circumstances must the maximum fill level **B** be exceeded: risk of damage to the engine and catalytic converter. If the oil level exceeds the maximum level, **do not start your vehicle** and contact an approved Dealer.

## ENGINE OIL LEVEL: topping up, filling (1/4)

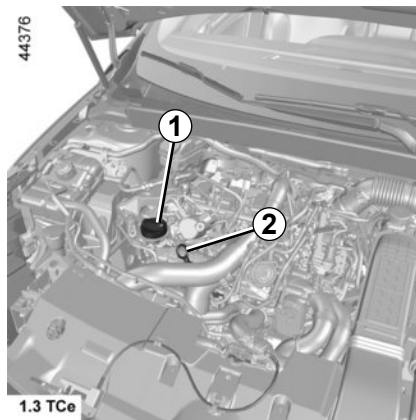


### Topping up/Filling

The vehicle must be parked on level ground and the engine should be cold (for instance, before the engine is started up for the first time in the day).

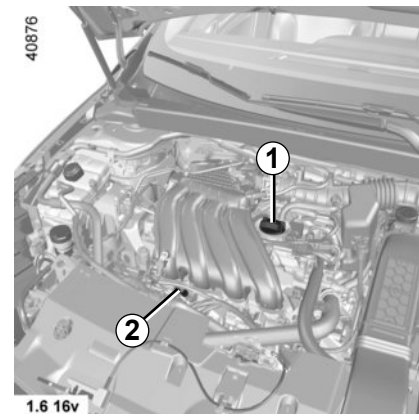


Before performing any action in the engine compartment, the ignition must be switched off (please see the information on "Starting, stopping the engine" in Section 2).



- Unscrew cap **1**;
- top up the level (as a guide, the capacity between the "mini" and the "maxi" reading on the dipstick **2** is between 0.33 and 0.44 gallons (1.5 and 2 litres) depending on the engine);
- wait for approximately 20 minutes to allow the oil to flow into the engine;
- check the level using the dipstick **2** (as described above).

Once the operation has been completed, ensure that the dipstick is pushed in as far as it will go or that the "cap-type dipstick" is completely screwed in.



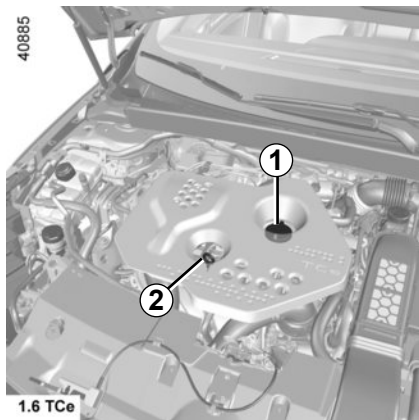
### Adding engine oil

Use a funnel or protect the filling neck area to avoid engine oil escaping onto a hot part of the engine compartment or a sensitive part (e.g. electrical components).

**Fire hazard.**

Do not exceed the "maxi" level and do not forget to refit the cap **1** and the dipstick **2**.

## ENGINE OIL LEVEL: topping up, filling (2/4)

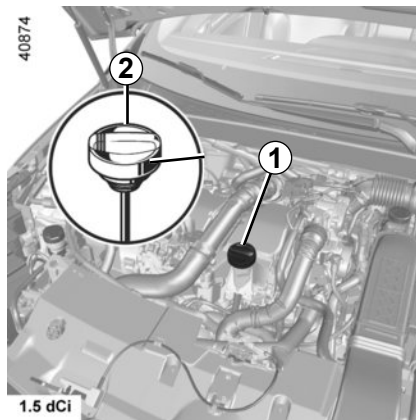


### Topping up/Filling

The vehicle must be parked on level ground and the engine should be cold (for instance, before the engine is started up for the first time in the day).

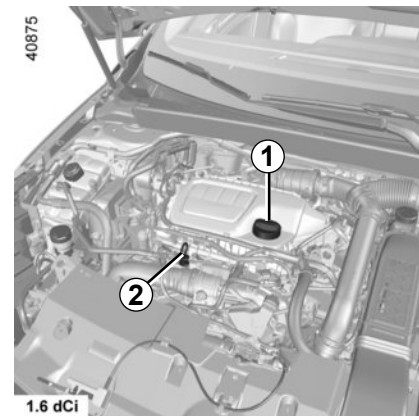


Before performing any action in the engine compartment, the ignition must be switched off (please see the information on "Starting, stopping the engine" in Section 2).



- Unscrew cap **1**;
- top up the level (as a guide, the capacity between the "mini" and the "maxi" reading on the dipstick **2** is between 0.33 and 0.44 gallons (1.5 and 2 litres) depending on the engine);
- wait for approximately 20 minutes to allow the oil to flow into the engine;
- check the level using the dipstick **2** (as described above).

Once the operation has been completed, ensure that the dipstick is pushed in as far as it will go or that the "cap-type dipstick" is completely screwed in.



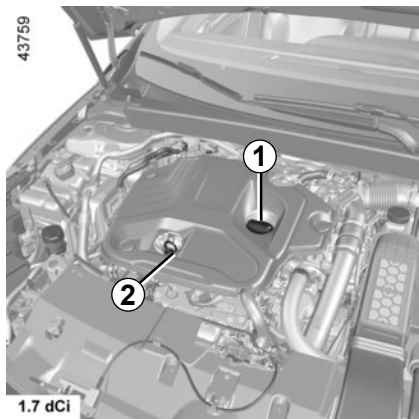
### Adding engine oil

Use a funnel or protect the filling neck area to avoid engine oil escaping onto a hot part of the engine compartment or a sensitive part (e.g. electrical components).

**Fire hazard.**

Do not exceed the "maxi" level and do not forget to refit the cap **1** and the dipstick **2**.

## ENGINE OIL LEVEL: topping up, filling (3/4)

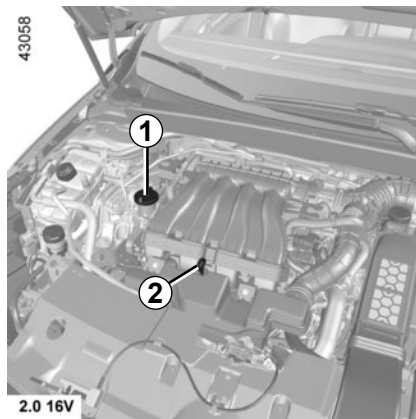


### Topping up/Filling

The vehicle must be parked on level ground and the engine should be cold (for instance, before the engine is started up for the first time in the day).



Before performing any action in the engine compartment, the ignition must be switched off (please see the information on "Starting, stopping the engine" in Section 2).



- Unscrew cap **1**;
- top up the level (as a guide, the capacity between the "mini" and the "maxi" reading on the dipstick **2** is between 0.33 and 0.44 gallons (1.5 and 2 litres) depending on the engine);
- wait for approximately 20 minutes to allow the oil to flow into the engine;
- check the level using the dipstick **2** (as described above).

Once the operation has been completed, ensure that the dipstick is pushed in as far as it will go or that the "cap-type dipstick" is completely screwed in.



### Adding engine oil

Use a funnel or protect the filling neck area to avoid engine oil escaping onto a hot part of the engine compartment or a sensitive part (e.g. electrical components).

**Fire hazard.**

Do not exceed the "maxi" level and do not forget to refit the cap **1** and the dipstick **2**.

# ENGINE OIL LEVEL: topping up, filling (4/4)/OIL CHANGE

## Oil change

**Service interval:** refer to the Maintenance Service Booklet for your vehicle.

## Oil change capacity

Please refer to the maintenance document for your vehicle, or contact an authorised dealer.

Always check the engine oil level using the dipstick, as explained previously (it should never fall below the minimum level, or be over the maximum level on the dipstick).



### Exceeding the maximum engine oil level

Under no circumstances must the maximum fill level be exceeded: risk of damage to the engine and catalytic converter. If the oil level exceeds the maximum level, **do not start your vehicle** and contact an approved Dealer.

## Engine oil grade

Refer to the Maintenance Service Booklet for your vehicle.

Consult your approved Dealer at once if you notice an abnormal or repeated drop in any of the fluid levels.




When working in the engine compartment, ensure that the windscreen wiper stalk is in the park position.

**Risk of injury.**



Please note when working close to the engine that it may be hot. The engine cooling fan may also start

at any moment. The  warning light in the engine compartment reminds you of this.

**Risk of injury.**



**Filling:** take care when topping up the oil that no oil drips onto engine components - risk of fire.

Remember to refit the cap securely as there is a risk of fire if oil splashes onto hot engine components.



Never run the engine in an enclosed space as exhaust gases are poisonous.

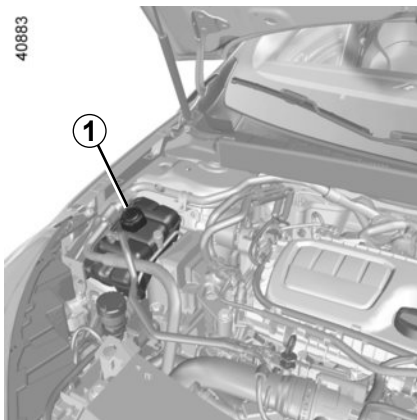


**Engine oil change:** if you are changing the oil when the engine is hot, be careful not to scald yourself if the oil overflows.



## LEVELS (1/3)

40883



### Coolant level

With the engine switched off and on level ground, the level **when cold** must be between the "MINI" and "MAXI" marks on coolant reservoir **1**.

Top this level up **when cold** before it reaches the MIN mark.

### Checking intervals

**Check the coolant level regularly** (very severe damage is likely to be caused to the engine if it runs out of coolant).

If the level needs to be topped up, only use products approved by our Technical Department which ensure:

- protection against freezing;
- anticorrosion protection of the cooling system.

Consult your approved dealer at once if you notice an abnormal or repeated drop in any of the fluid levels.



No operations should be carried out on the cooling circuit when the engine is hot.


**Risk of burns.**

### Replacement intervals

Refer to the Maintenance Document for your vehicle.



Please note when working close to the engine that it may be hot. The engine cooling fan may also start

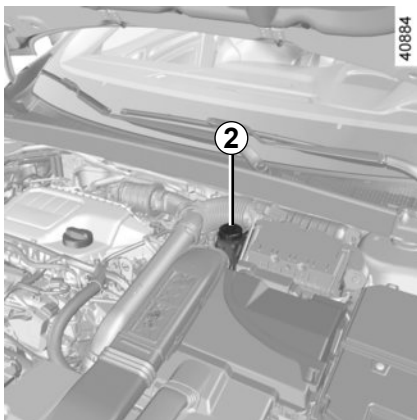
at any moment. The  warning light in the engine compartment reminds you of this.

**Risk of injury.**



Before performing any action in the engine compartment, the ignition must be switched off (please see the information on "Starting, stopping the engine" in Section 2).

## LEVELS (2/3)



### Brake fluid level

This should be checked frequently, and any time you notice even the slightest loss in braking efficiency.

The level should be read with the engine switched off and on level ground.

### Level 2


It is normal for the level to drop as the linings become worn, but it should never drop below the “MINI” warning line.

If you wish to check the disc and drum wear yourself, you should obtain the document explaining the checking procedure from our network or from the manufacturer's website.

If there is an abnormal or repeated drop in the fluid level, consult an approved dealer.



Please note when working close to the engine that it may be hot. The engine cooling fan may also start

at any moment. The  warning light in the engine compartment reminds you of this.

**Risk of injury.**

### Topping up

After any operation on the hydraulic circuit, a specialist must replace the fluid.

Only use fluids approved by our Technical Department (and taken from a sealed container).

### Replacement intervals

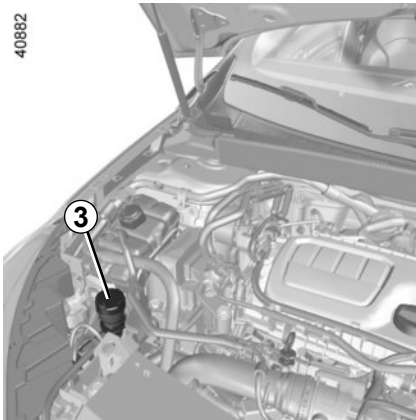
Refer to the Maintenance Document for your vehicle.



Before performing any action in the engine compartment, the ignition must be switched off (please see the information on “Starting, stopping the engine” in Section 2).

## LEVELS (3/3)/FILTERS

40882



### Windscreen washer reservoir

#### Topping up

With the engine switched off, open cap **3**, fill until you can see the fluid, then refit the cap.

**Note:** Regularly check the reservoir level by topping up the liquid before taking a trip.

#### Liquid

Windscreen washer fluid. In winter, use anti-freeze product. Use products recommended by an authorised dealer.

**Note:** do not use pure water (risk of damage to the priming pump, limescale building up on the pump and the jets).

#### Jets

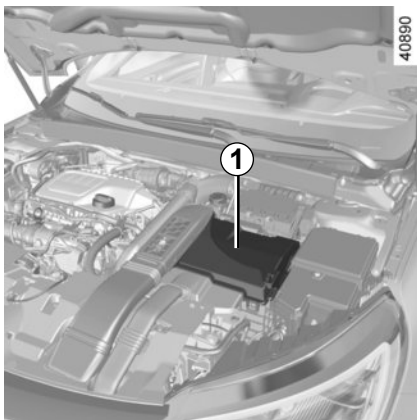
To adjust the windscreen washer jets, please consult an authorised dealer.

#### Filters

The replacement of filter elements (air filter, passenger compartment filter, diesel filter, etc.) is scheduled in the maintenance operations for your vehicle.

**Replacement intervals for filter elements:** refer to the Maintenance Document for your vehicle.

## BATTERY (1/2)



Battery **1** does not require any maintenance. **You should not open it or add any fluid.**



Handle the battery with care as it contains sulphuric acid which must not come into contact with the eyes or skin. If it does, wash the affected area with plenty of cold water. If necessary, consult a doctor.

Ensure that naked flames, red hot objects and sparks do not come into contact with the battery as there is a risk of explosion.

Depending on the vehicle, a system continuously checks the battery charge status. If this decreases, the message “Battery low start engine” is displayed on the instrument panel. In this case, start the engine. The message will go off.


The charge status of your battery can decrease especially if you use your vehicle:

- for short journeys;
- for driving in town;
- when the temperature drops;
- after extended use of energy-consuming devices (radio, etc.) with the engine switched off.



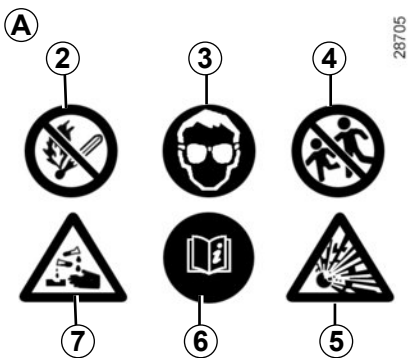
Before performing any action in the engine compartment, the ignition must be switched off (please see the information on “Starting, stopping the engine” in Section 2).



Please note when working close to the engine that it may be hot. In addition, the engine cooling fan may start at any moment. The  warning light in the engine compartment reminds you of this.

**Risk of injury.**

## BATTERY (2/2)



### Label A

Observe the indications on the battery:

- 2 Naked flames and smoking are forbidden;
- 3 eye protection required;
- 4 keep away from children;
- 5 explosive materials;
- 6 refer to the handbook;
- 7 corrosive materials.

## Replacing the battery

As this operation is complex, we advise you to contact an approved Dealer.



The battery is a **specific type**, please ensure it is replaced with the same type. Consult an approved dealer.

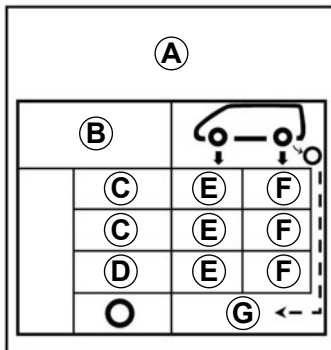
## TYRE PRESSURE (1/2)



### Label A

Open the door to read it.  
Tyre pressures should be checked when the tyres are cold.

If the tyre pressures cannot be checked when the tyres are **cold**, increase the pressures from **0.2 to 0.3 bar** (or **3 PSI**).  
**Never deflate a hot tyre.**



**B:** dimension of the tyres fitted to the vehicle.

**C:** intended driving speed.

**D :** recommended pressure for optimising fuel consumption.


**NB:** driving comfort may be altered.

**E:** front tyre pressure.

**F:** rear tyre pressure.

**G:** tyre pressure for the emergency spare wheel.

### Vehicle fitted with a tyre pressure monitoring system

If under-inflated (puncture, low pressure etc.), the warning light  lights up on the instrument panel; please refer to «Tyre pressure monitoring system» in Section 2.



### Vehicle used fully laden (Maximum Permissible All-up Weight) and towing a trailer

The maximum speed must be limited to **60 mph (100 km/h)** and the tyre pressure increased by **0.2 bar**.

Please refer to the information on “Weights” in Section 6.

**Risk of tyre blowouts.**

## TYRE PRESSURES (2/2)

### **Tyre safety and use of snow chains:**

Refer to the information on “Tyres” in Section 5 for the servicing conditions and, depending on the version, the use of chains.



For your safety, please respect the speed limit.

When they need to be replaced, only tyres of the same make, size, type and profile should be used on a single axle.

**They must: either have a load capacity and speed rating at least equal to those of the original tyres, or conform to those recommended by an authorised dealer.**

Failure to heed these instructions could endanger your safety and affect your vehicle's roadworthiness.

**Risk of loss of control of the vehicle.**

## BODYWORK MAINTENANCE (1/3)

A well-maintained vehicle will last longer. It is therefore recommended to maintain the exterior of the vehicle regularly.

Your vehicle has been treated with very effective anti-corrosion products. It is nevertheless subject to various outside influences.

### Corrosive agents in the atmosphere

- atmospheric pollution (built-up and industrial areas);
- saline atmospheres (near the sea, particularly in hot weather);
- seasonal and damp weather conditions (e.g. road salt in winter, water from road cleaners, etc.).

### Minor impacts

#### Abrasive action

Dust and sand in the air, mud, road grit thrown up by other vehicles, etc.

You should take a number of minor precautions in order to safeguard your vehicle against such risks.

### You should

Wash your car frequently, **with the engine off**, with cleaning products recommended by the manufacturer (never use abrasive products). Rinse thoroughly beforehand with a jet:

- spots of tree resin and industrial grime;
  - mud in the wheel arches and underneath the body which forms damp patches;
  - **bird droppings**, which cause a chemical reaction with the paint that **rapidly discolours paintwork and may even cause the paint to peel off**;
- wash the vehicle **immediately** to remove these marks since it is impossible to remove them by polishing;
- salt, particularly in the wheel arches and underneath the body after driving in areas where the roads have been gritted.

Remove any plant matter (resin, leaves, etc.) from the vehicle regularly.

Respect local regulations about washing vehicles (e.g. do not wash your vehicle on a public highway).

Observe the vehicle stopping distances when driving on gravelled surfaces to prevent paint damage.

Repair, or have repaired quickly, areas where the paint has been damaged, to prevent corrosion spreading.

Remember to visit the body shop periodically in order to maintain your anti-corrosion warranty. Refer to the Maintenance Document.

If it is necessary to clean mechanical components, hinges, etc., spray them with products approved by our Technical Department to protect them after they have been cleaned.

We have selected special products to care for your vehicle and you can obtain these from the manufacturer's accessory outlets.



## BODYWORK MAINTENANCE (2/3)

### What you should not do

Wash the vehicle in bright sunlight or freezing temperatures.

Do not scrape off mud or dirt without pre-wetting.

Allow dirt to accumulate on the exterior.

Allow rust to form following minor impacts.

Do not use solvents not approved by our Technical Department to remove stains as this could damage the paintwork.

Do not drive in snow or muddy conditions without washing the vehicle, particularly under the wheel arches and body.



Degrease or clean using high-pressure cleaning equipment or by spraying on products not approved by our Technical Department:

- mechanical components (e.g.: engine compartment);
- underbody;
- parts with hinges (e.g.: inside the doors);
- painted plastic external fittings (e.g.: bumpers).

Doing this could give rise to corrosion or operational faults.

## BODYWORK MAINTENANCE (3/3)

### Vehicles with a matte paint finish

This type of paint requires certain precautions.

#### You should do the following

Wash the vehicle by hand using plenty of water, using a soft cloth or a gentle sponge.

#### Do not do the following

Use wax-based products (polishing).

Rub too hard.

Wash the vehicle in a roller-type car wash.

Attach stickers to the paintwork (risk of leaving marks).



Wash the vehicle using a high-pressure cleaning device.

### Using a roller type car wash

Return the windscreen wiper stalk to the Park position (refer to the information on the “Windscreen washer, wiper” in Section 1). Check the mounting of external accessories, additional lights and mirrors, and ensure that the wiper blades are secured with adhesive tape.

Remove the radio aerial mast if your vehicle is fitted with this equipment.

Remember to remove the tape and refit the antenna after washing.

### Cleaning the headlights, sensors and cameras

Use a soft cloth or cotton wool.

If this does not clean them properly, moisten the cloth with soapy water, then wipe clean with a soft damp cloth or cotton wool.

Finally, carefully dry off with a soft dry cloth.

**Do not use cleaning products containing alcohol or utensils (e.g.: a scraper).**

## INTERIOR TRIM MAINTENANCE (1/2)

A well-maintained vehicle will last longer. It is therefore recommended to maintain the interior of the vehicle regularly.

A stain should always be dealt with swiftly.

Whatever type of stain is on the trim, use **cold** (or warm) **soapy water with natural soap**.

**Detergents (washing-up liquid, powdered products, alcohol-based products) should not be used.**

Use a soft cloth.

Rinse and soak up the excess.

### Glass instrument panel

(e.g. instrument panel, clock, exterior temperature display, radio display, etc.)

Use a soft cloth (or cotton wool).

If this does not clean them properly, use a soft cloth (or cotton wool) slightly moistened with soapy water and then wipe clean with another soft damp cloth or cotton wool.

Finally, **carefully** dry off with a soft dry cloth.

**Do not use products containing alcohol and/or spray fluids on the area.**

### Seat belts

These must be kept clean.

Use products selected by our Technical Department (Approved outlets) or warm, soapy water and a sponge and wipe with a dry cloth.

**Detergents or dyes must not be used under any circumstances.**

### Textiles (seats, door trim, etc)

Vacuum-clean the textiles **regularly**.

#### Liquid stain

Use soapy water.

Dab lightly (never rub) with a soft cloth, rinse and remove the excess.

#### Solid or pasty stain

Carefully remove the excess solid or pasty material **immediately** with a spatula (working from the edges to the centre to avoid spreading the stain).

Clean as for a liquid stain.

#### Special instructions for sweets or chewing gum

Put an ice cube on the stain to solidify it, then proceed as for a solid stain.

For further recommendations for maintaining the interior, and/or for any unsatisfactory results, please see an authorised dealer.

## INTERIOR TRIM MAINTENANCE (2/2)

### Removal/replacing removable equipment originally fitted in the vehicle

If you need to remove equipment in order to clean the passenger compartment (for example, mats), always ensure that they are correctly refitted and are the right way around (the driver's mat should be fitted on the driver's side, etc.) and fit them with the components supplied with the equipment (for example, the driver mat should always be fixed using the pre-fitted mounting components).

While the vehicle is stationary, always ensure that nothing will impede driving (anything obstructing the pedals, heel wedged by the mat, etc.).

### You should not:

Position objects such as deodorants, scents etc. near air vents as this could damage your dashboard trim.



Use high-pressure cleaning equipment or sprays inside the passenger compartment:

without careful use, this equipment could impair the correct functioning of the electrical or electronic components in the vehicle, or have other detrimental effects.

# Section 5: Practical advice

Puncture/emergency spare wheel . . . . .	5.2
Tyre inflation kit . . . . .	5.5
Tools . . . . .	5.8
Wheel trim . . . . .	5.10
Changing a wheel . . . . .	5.11
Tyres (tyre and wheel safety, use in winter) . . . . .	5.13
Headlights (changing bulbs) . . . . .	5.16
Rear lights and side lights (replacing bulbs) . . . . .	5.18
Interior lighting: changing bulbs. . . . .	5.27
Fuses. . . . .	5.30
Battery . . . . .	5.32
RENAULT card: battery . . . . .	5.34
Radio frequency remote control: batteries. . . . .	5.36
Accessories . . . . .	5.38
Wipers (replacing blades) . . . . .	5.39
Towing: breakdown . . . . .	5.41
Operating faults . . . . .	5.43

# PUNCTURE, EMERGENCY SPARE WHEEL (1/3)

## In case of puncture

Depending on the vehicle, a tyre inflation kit or emergency spare wheel is provided (refer to the following pages).

### Special note

The Tyre Pressure Monitor function does not check the emergency spare wheel (the wheel replaced by the emergency spare wheel disappears from the instrument panel display).

Refer to the information on the “Tyre pressure monitoring system” in Section 2.



If the vehicle is parked on the hard shoulder, you must warn other road users of your vehicle's presence with a warning triangle or with other devices as per the legislation applying to the country you are in.

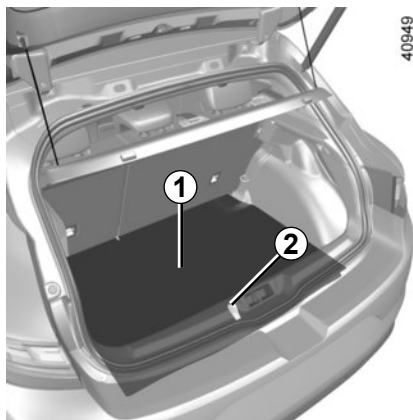


If the emergency spare wheel has been stored for several years, have it checked by your Dealer to ensure that it is safe to use.

### **Vehicles fitted with an emergency spare wheel smaller than the four other wheels:**

- Never fit more than one emergency spare wheel to the same vehicle.
- As the punctured wheel is wider than the emergency spare wheel, the vehicle's ground clearance is reduced.
- Replace the emergency spare wheel as soon as possible with a wheel with the same dimensions as the original.
- When this is fitted to the vehicle, which must only be a temporary measure, the driving speed must not exceed the speed indicated on the label on the wheel.
- Fitting an emergency spare wheel may alter the way the vehicle usually runs. Avoid sudden acceleration or deceleration and reduce your speed when cornering.
- If you need to use snow chains, fit the emergency spare wheel to the rear axle and check the tyre pressure.

## PUNCTURE, EMERGENCY SPARE WHEEL (2/3)

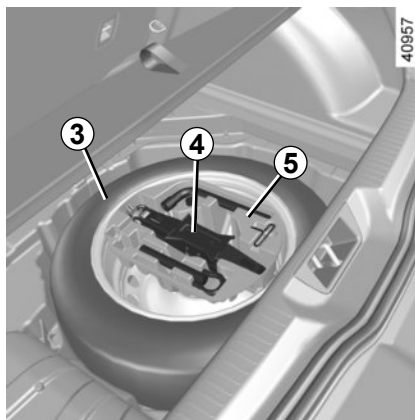


### Emergency spare wheel 3

This is located in the luggage compartment.

Remove the subwoofer 7, refit it and reconnect it in the same position again. Handle it carefully. If not, this could impair the correct functioning of the subwoofer.

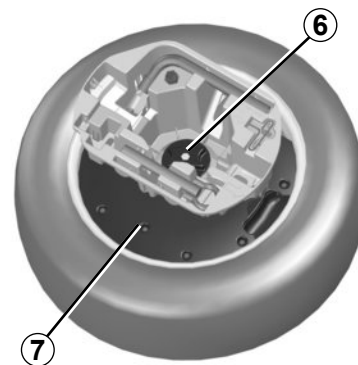
It is not recommended to replace and reconnect the subwoofer if a tyre is punctured: this may cause damage to the subwoofer.



### Vehicle not fitted with a subwoofer

To access it:

- open the boot;
- lift the luggage compartment carpet 1 using tab 2 (or the handle, depending on the vehicle);
- unscrew the central mounting 6 located under the jack 4;
- remove the tool kit 5;
- remove the emergency spare wheel.

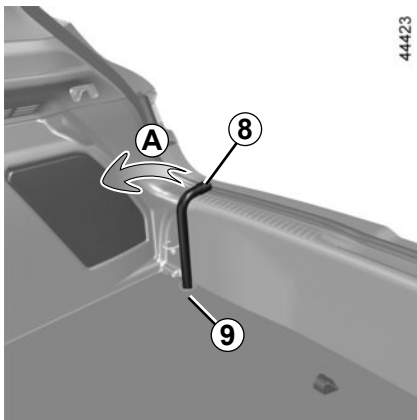


### Vehicle fitted with a subwoofer

To access it:

- open the boot;
- lift the luggage compartment carpet 1 using tab 2 (or the handle, depending on the vehicle);
- unscrew the central mounting 6 located under the jack 4;
- remove the tool kit 5;
- disconnect the power cable of the subwoofer 7;
- remove the subwoofer;
- remove the emergency spare wheel.

## PUNCTURE, EMERGENCY SPARE WHEEL (3/3)

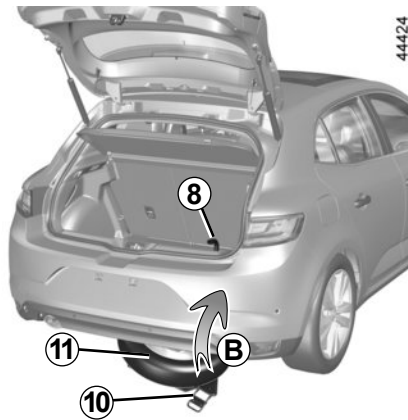


### Emergency spare wheel 11

It is located under the vehicle.

To get to it:

- in the luggage compartment, lift the cover 9 from the luggage compartment carpet;
- remove blanking cover;
- only use the wheel brace 8 (using a different tool could damage the mechanism) to unscrew fully the nut anti-clockwise (movement A), and the wheel will lower to the ground;



- under the vehicle, lift then push (movement B) the handle 10 to lower the wheel carrier on the ground;
- pull the wheel 11 towards you, a plastic guide located under the wheel makes it easy to move;
- remove the plastic guide from the wheel before fitting it to the vehicle.



Do not touch the exhaust system.

**Risk of burns.**

To refit the wheel carrier:

- use the wheelbrace 8 to screw fully the nut clockwise (reverse movement A);
- make sure you lock the wheel carrier in place;
- refit the blanking cover, then the cover 9.

**Note:** 4-door version vehicle, store the punctured wheel in the boot.



Make sure that the wheel carrier is always locked, with or without the emergency spare wheel inside.

**There is a risk of accidents.**



When the emergency spare wheel is located underneath the vehicle, it is vital to take the emergency spare wheel out before lifting the vehicle.

**Risk of injury.**



# TYRE PRESSURE KIT (1/3)

32788



The kit repairs tyres when tread **A** has been damaged by objects smaller than 4 mm. It cannot repair all types of puncture, such as cuts larger than 4 mm, or cuts in tyre sidewall **B**.

Ensure also that the wheel rim is in good condition.

Do not pull out the foreign body causing the puncture if it is still in the tyre.



Do not attempt to use the inflation kit if the tyre has been damaged as a result of driving with a puncture.

You should therefore carefully check the condition of the tyre sidewalls before any operation.

Driving with underinflated, flat or punctured tyres can be dangerous and may make the tyre impossible to repair.

### **This repair is temporary**

A tyre which has been punctured should always be inspected (and repaired, where possible) as soon as possible by a specialist.

When taking a tyre which has been repaired using this kit to be replaced, you must inform the specialist.

When driving, vibration may be felt due to the presence of the repair product injected into the tyre.



The kit is only approved for inflating the tyres of the vehicle originally equipped with the kit.

It must never be used to inflate the tyres of another vehicle, or any other inflatable object (rubber ring, rubber boat, etc.).

Avoid spillage on skin when handling the repair product bottle. If droplets do leak out, rinse them off with plenty of water.

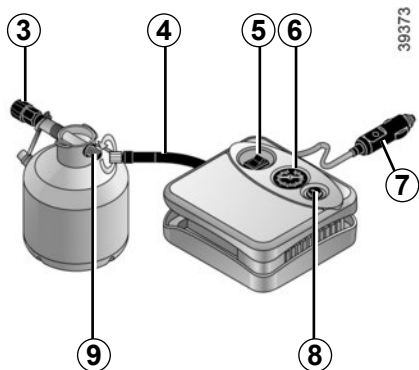
Keep the repair kit away from children.

Do not dispose of the empty bottle in the countryside. Return it to your approved dealer or to a recycling organisation.

The bottle has a limited service life which is indicated on its label. Check the expiry date.

Contact an approved dealer to replace the inflation tube and repair product bottle.

## TYRE PRESSURE KIT (2/3)



In the event of a puncture, use the kit located in the luggage compartment, under the luggage compartment carpet or, depending on the vehicle, under the luggage compartment floor (please refer to the information on “Luggage compartment fittings” in section 3).

### With the engine running and the parking brake applied,

- Connect the compressor hose 4 to the container inlet 9;
- remove the cap from the container inflation adapter 3;
- unscrew the valve cap on the relevant wheel and screw on the container's inflation adapter 3;
- disconnect any accessories previously connected to the vehicle's accessories sockets;
- the end piece 7 **must** be plugged in to the vehicle accessories socket;
- press switch 5 to inflate the tyre to the recommended pressure (please refer to the information on “Tyre inflation pressure” in Section 4);
- after a maximum of **15** minutes, stop inflating and read the pressure (on pressure gauge 6).

**Note:** While the container empties (approx. 30 secs), the pressure gauge 6 briefly shows pressure up to 6 bar, then the pressure drops.

- Adjust the pressure: to increase it, continue inflation with the kit; to reduce it, press button 8.

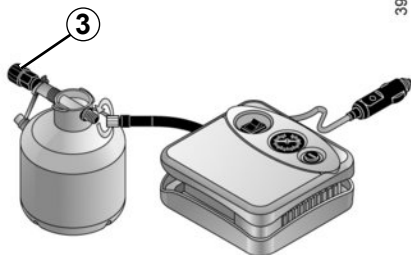


If the vehicle is parked on the hard shoulder, you must warn other road users of your vehicle's presence with a warning triangle or with other devices as per the legislation applying to the country you are in.



Before using the kit, park the vehicle at a sufficient distance from traffic, switch on the hazard warning lights, apply the parking brake, ask all passengers to leave the vehicle and keep them away from traffic.

## TYRE PRESSURE KIT (3/3)



**If a minimum pressure of 1.8 bar is not reached after 15 minutes, repair is not possible; do not drive the vehicle but contact an approved dealer.**



Please be aware that a poorly tightened or missing valve cap can make the tyres less airtight and may lead to pressure loss.

Always use valve caps identical to those fitted originally and tighten them fully.

Once the tyre is correctly inflated, remove the kit: slowly unscrew the inflation end piece **3** to prevent any product spatter and store the container in plastic packaging to prevent product leaks.

- Affix the driving recommendation label (located under the container) to the dashboard where the driver can see it.
- Put the kit away.
- At the end of this initial inflation operation, air will still escape from the tyre. You must drive a short distance in order to seal the hole.
- Start immediately and drive at between 12 and 40 mph (20 and 60 km/h) in order to distribute the product evenly in the tyre and, after driving for 2 miles (3 km), stop and check the pressure.
- If the pressure is greater than 1.3 bar but less than the recommended pressure, re-adjust it (refer to the label affixed to the edge of the driver's door), otherwise contact an approved dealer: repair is not possible.

## Precautions when using the kit

The kit should not be operated for more than 15 consecutive minutes.



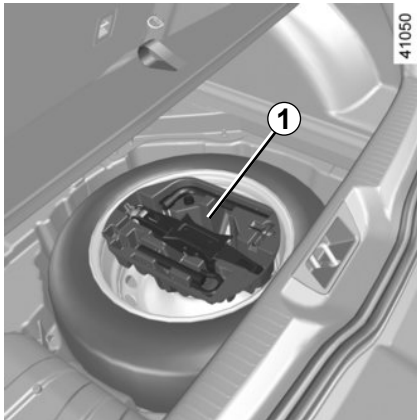
Nothing should be placed around the driver's feet as such objects may slide under the pedals during sudden braking manoeuvres and obstruct their use.



Following repair with the kit, do not travel further than 120 miles (200 km). In addition, reduce your speed and under no circumstances exceed 48 mph (80 km/h). The sticker, which you must affix in a prominent position on the dashboard, reminds you of this.

Depending on the country or local legislation, a tyre repaired with the inflation kit may need to be replaced.

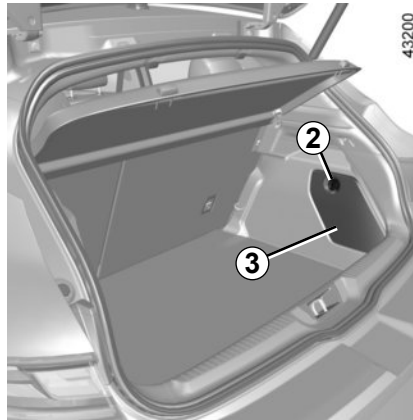
## TOOLS (1/2)



### Tool kit

(depending on vehicle)

To access the tool kit **1**, lift the luggage compartment carpet and/or the mobile floor (refer to the information on “Luggage compartment storage space/ fittings” in Section 3).

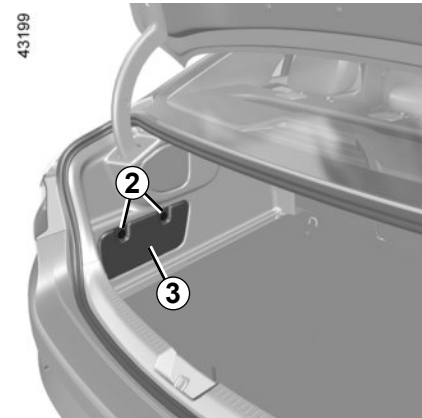
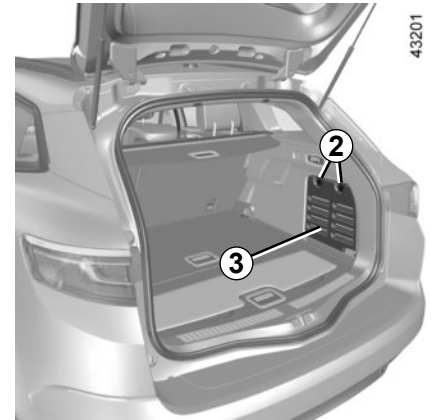


### Tool box

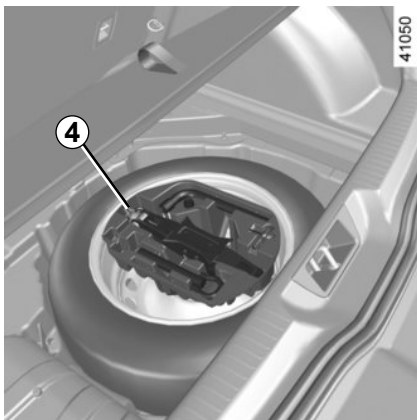
(depending on vehicle)

To access the tool box, unlock the mounting(s) **2** by one quarter of a turn, then remove the flap **3**.

The tool box is held in place by a strap.



## TOOLS (2/2)

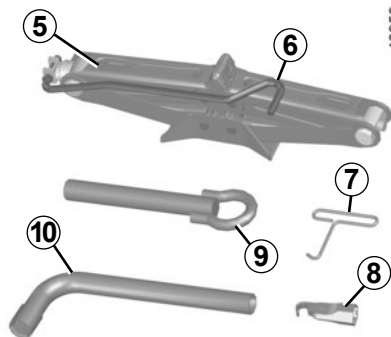


The presence of the tools depends on the vehicle.

### Jack 5

On vehicles equipped with a tool kit, push towards the front of the vehicle the **4** clip on the tool kit and remove the jack.

Fold the jack correctly before refitting it in its housing (ensure that the wheel-brace **6** is correctly positioned).



### Hubcap tool 7

This tool is used to remove the wheel trims.

### Screw guide 8

For tightening/loosening wheel bolts on vehicles fitted with alloy wheels

### Towing hitch 9

Refer to the information on "Towing" in Section 5.

### Wheelbrace 10

Locks or unlocks the wheel bolts and tow eye **9**.



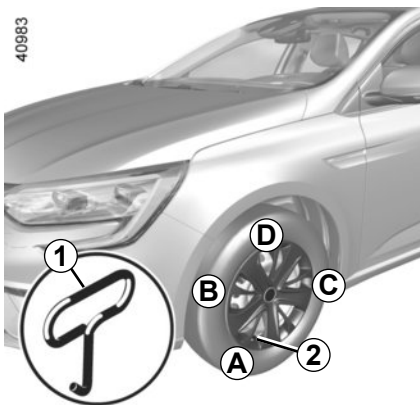
Do not leave the tools unsecured inside the vehicle as they may come loose under braking. After use, check that all the tools are correctly clipped into the tool kit, then position it correctly in its housing: risk of injury.

If wheel bolts are supplied in the tool kit, only use these bolts for the emergency spare wheel: refer to the label affixed to the emergency spare wheel.

The jack is designed for wheel changing purposes only. Under no circumstances should it be used for carrying out repairs underneath the vehicle or to gain access to the underside of the vehicle.

# HUBCAP

40983



Remove using the hubcap tool **1** (located in the tool kit) by connecting the hook in the recess (by connecting the hook in the recess provided next to the valve **2** (to attach the metal clip).

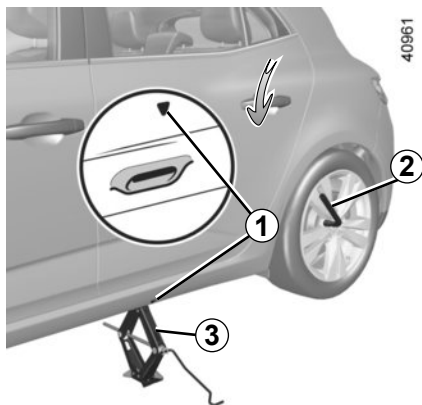
To refit it, align it with valve **2**. Push the retaining hooks in fully, starting with side **A** near the valve, followed by **B** and **C**, finishing at **D** opposite the valve.

**Note:** if you are using anti-theft bolts, refer to the information on “Changing a wheel”.



Do not leave the tools unsecured inside the vehicle as they may come loose under braking. After use, check that all the tools are correctly clipped into the tool kit, then position it correctly in its housing: risk of injury.

## CHANGING A WHEEL (1/2)



Switch on the hazard warning lights.

Keep the vehicle away from traffic and on a level surface where it will not slip.

Apply the parking brake and engage a gear (first or reverse, or **P** for automatic transmissions).

Ask all the passengers to leave the vehicle and keep them away from traffic.



When the emergency spare wheel is located underneath the vehicle, it is vital to take the emergency spare wheel out before lifting the vehicle.

**Risk of injury.**



If the vehicle is parked on the hard shoulder, you must warn other road users of your vehicle's presence with a warning triangle or with other devices as per the legislation applying to the country you are in.

### Vehicles equipped with a jack and wheelbrace

If necessary, remove the wheel trim.

Use the wheelbrace **2** to slacken off the wheel bolts. Position it so as to be able to push from above.

Place the jack **3** horizontally; the jack head **must** be lined up with the sill closest to the wheel concerned, as shown by an arrow **1**.

Crank up the jack by hand at first to align the base plate (which should be inclined further inwards than the jack head).

Turn the wheelbrace until the wheel lifts off the ground.

If the vehicle is not equipped with a jack or wheelbrace, you can obtain these from your approved dealer.

## CHANGING A WHEEL (2/2)

Undo the bolts and take off the wheel.

Fit the emergency spare wheel onto the hub and rotate it until the mounting holes in the wheel coincide with those of the hub.

If bolts are supplied with the emergency spare wheel, only use these bolts for the emergency spare wheel. Tighten the bolts, checking that the wheel is correctly positioned on its hub and unscrew the jack.

With the wheel on the ground, tighten the bolts fully and have the tightness of the bolts checked and the emergency spare wheel pressure checked as soon as possible.

**Note:** 4-door version vehicle, when the emergency spare wheel is located underneath the vehicle, place the punctured wheel in the boot.

### Anti-theft bolt

If you use anti-theft bolts, fit these nearest the valve (wheel embellisher may not be able to fit).



If you have a puncture, replace the wheel as soon as possible.

A tyre which has been punctured should always be inspected (and repaired, where possible) by a specialist.



## TYRES (1/3)

The tyres are the only contact between the vehicle and the road, so it is essential to keep them in good condition.

You must make sure that your tyres conform to local road traffic regulations.



### Maintaining the tyres

The tyres must be in good condition and the tread form must have sufficient depth; tyres approved by our Technical Department have tread wear indicators **1** which are **indicators moulded into the tread at several points.**

When the tread has worn down to the wear warning strips, **these strips will become visible 2**: it is then necessary to replace your tyres because the tread rubber is now **only 1.6 mm deep at most, resulting in poor road holding on wet roads.**

An overloaded vehicle, long journeys by motorway, particularly in very hot weather, or continual driving on poorly surfaced minor roads will lead to more rapid tyre wear and affect safety.



Incidents which occur when driving, such as striking the kerb, may damage the tyres and wheel rims, and could also lead to misalignment of the front or rear axle geometry. In this case, have the condition of these checked by an approved dealer.

## TYRES (2/3)

### Tyre pressures

Adhere to the tyre pressures (including the emergency spare wheel). The tyre pressures should be checked at least once a month and additionally before any long journey (refer to the label affixed to the edge of the driver's door).



#### **Incorrect tyre pressures**

lead to abnormal tyre wear and unusually hot running. These are factors which may seriously affect safety and lead to:

- poor road holding,
- risk of bursting or tread separation.

The pressure depends on the load and the speed of use. Adjust the pressure according to the conditions of use (refer to the label affixed to the edge of the driver's door).

The pressures should be checked cold: ignore higher pressures which may be reached in hot weather or following a high speed journey.

If the tyre pressures cannot be checked when the tyres are **cold**, increase the pressures from **0.2** to **0.3** bar (or **3 PSI**).

**Never deflate a hot tyre.**

#### **Special note**


Depending on the vehicle, there may be an adapter which needs to be positioned on the valve before air is added.



Please be aware that a poorly tightened or missing valve cap can make the tyres less airtight and lead to pressure loss.

Always use valve caps identical to those fitted originally and tighten them fully.

### **Vehicle fitted with a tyre pressure monitoring system**

If under-inflated (puncture, low pressure etc.), the warning light  lights up on the instrument panel; please refer to "Tyre pressure monitoring system" in Section 2.

### **Emergency spare wheel**

Refer to the information on "Puncture" and "Changing a wheel" in Section 5.

### **Changing wheels around**

This practice is not recommended.

# TYRES (3/3)

## Fitting new tyres



For your safety, please respect the speed limit.

When they need to be replaced, only tyres of the same make, size, type and profile should be used on a single axle.

**They must: either have a load capacity and a speed capacity at least equal to the original tyres, or correspond to those recommended by your authorised dealer.**

Failure to heed these instructions could endanger your safety and affect your vehicle's roadworthiness.

**Risk of loss of control of the vehicle.**

In all cases, we would recommend that you contact an authorised dealer who will be able to advise you on the choice of equipment which is most suitable for your vehicle.

## Use in winter

### Snow or Winter tyres

We would recommend that these be fitted to all **four wheels** to ensure that your vehicle retains maximum adhesion. **Warning:** These tyres sometimes have a specific direction of rotation and a maximum speed index which may be lower than the maximum speed of your vehicle.



Snow chains may only be fitted to tyres of the same size as those originally fitted to **your vehicle**.



**17" wheels and larger cannot be fitted with chains.**

If you wish to use **special equipment**, please consult an authorised dealer.

## Studded tyres

This type of equipment may only be used for a limited period and as laid down by local legislation. It is necessary to observe the speed specified by current legislation.

These tyres must, at a minimum, be fitted to the two front wheels.

### Chains

**For safety reasons, fitting snow chains to the rear axle is strictly forbidden.**

**Chains cannot be fitted** to tyres which are larger than those originally fitted to the vehicle.



### Changing a wheel

As the tyre pressure monitor may take several minutes to correctly determine the positions of the wheels and the pressure values after driving, check the tyre pressures following any operation.

## FRONT HEADLIGHTS: replacing the bulbs (1/2)



Any operation on (or modification to) the electrical system must be performed by an approved dealer since an incorrect connection might damage the electrical equipment (harness, components and in particular the alternator). In addition, your Dealer has all the parts required for fitting these units.



The bulbs are under pressure and can break when replaced.

**Risk of injury.**



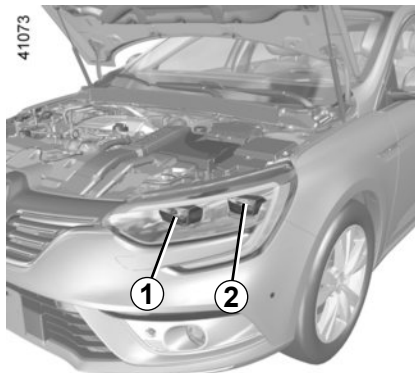
Please note when working close to the engine that it may be hot. In addition, the engine cooling fan may



start at any moment. The warning light in the engine compartment reminds you of this.

**Risk of injury.**

41073



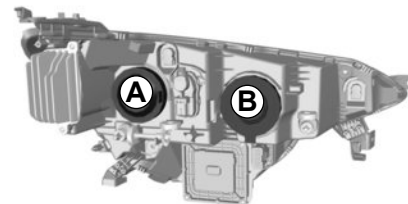
### LED dipped beam headlights 1

Please see an authorised dealer.

### LED main beam headlights 2

Please see an authorised dealer.

40964



### Halogen dipped beam headlight

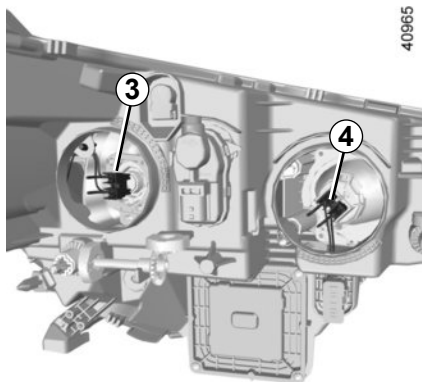
To change the bulb:

- open the bonnet;
- remove cover **B**;
- Turn the bulb holder a quarter turn **4**;
- remove the bulb.

**Bulb type: H7.**

Once the bulb has been replaced, check that it is properly secured.

## FRONT HEADLIGHTS: replacing the bulbs (2/2)



40965

### Halogen main beam headlight

To change the bulb:

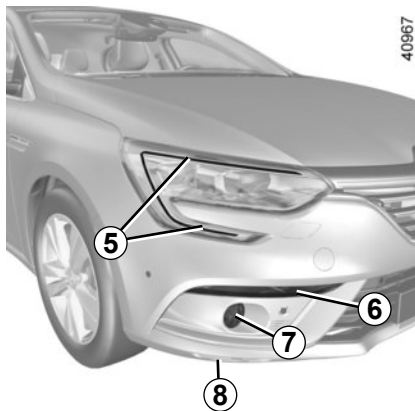
- open the bonnet;
- remove cover **A**;
- pull the bulb holder **3**;
- remove the bulb.

#### Bulb type: H7.

It is **essential** to use anti-U.V. 55W bulbs so as not to damage the plastic on the headlights.

**Do not touch the bulb glass. Hold it by its base.**

When the bulb has been changed, make sure you refit the cover correctly.



40967

### Direction indicator light 6

- Access the bulb holder via the underneath of the vehicle;
- unclip the access flap **8**;
- turn the bulb holder a quarter turn;
- remove the bulb.

#### Type of bulb: PY21W.

Once the bulb has been replaced, check that it is properly secured.

However, we would advise you to have them replaced by an approved dealer if it proves difficult.

### Daytime running lights and side lights 5

Please see an authorised dealer.

### Front fog lights 7

- Access the bulb holder via the underneath of the vehicle;
- unclip the access flap **8**;
- turn the bulb holder a quarter turn;
- remove the bulb.

#### Type of bulb: H16.

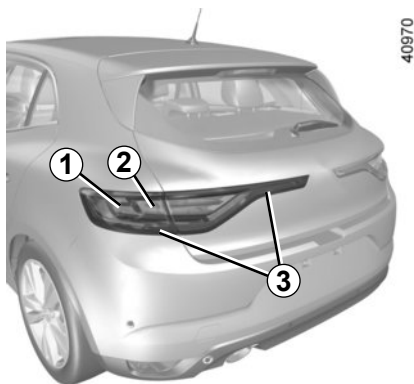
Once the bulb has been replaced, check that it is properly secured.

### Additional lights

If you wish to fit fog lights to your vehicle, please see an authorised dealer.

To comply with local legislation, or as a precaution, you can obtain an emergency kit containing a set of spare bulbs and fuses from an approved dealer.

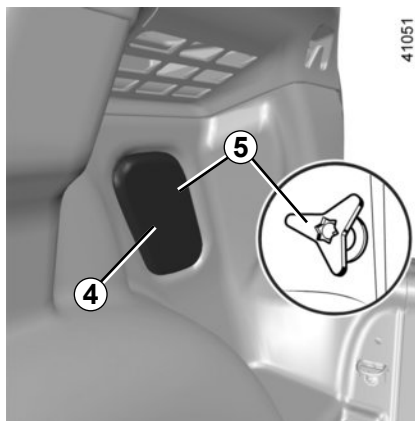
## REAR LIGHTS AND SIDE LIGHTS: replacing the bulbs (1/9)



### 5-door version

### Side light 3

Consult an approved dealer.



### Access to the bulb holders 6 and 7

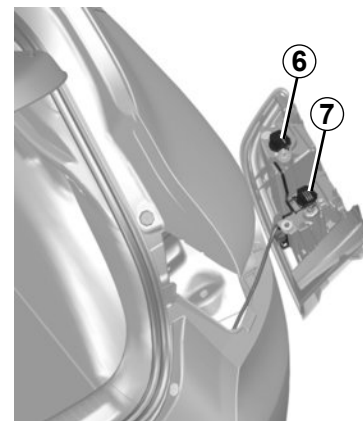
Open the boot, remove the cover 4 to access the screw 5 and undo it.

Remove the rear lights unit.

### Direction indicator light 2

Turn bulb holder 7 a quarter of a turn and take out the bulb.

**Bulb type: PY21W.**



### Brake light 1

Turn bulb holder 6 a quarter of a turn and take out the bulb.

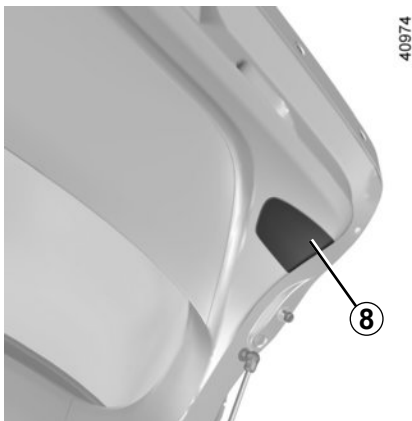
**Bulb type: P21W.**

Refit the bulb holder and push the unit in fully until it locks in place.

Check that the light is properly locked in position.

Tighten the screw 5 and reposition the cover 4.

## REAR LIGHTS AND SIDE LIGHTS: replacing the bulbs (2/9)



### Reversing light

From the boot, unclip the cover on the interior trim of the boot lid **8** using a screwdriver or similar tool.

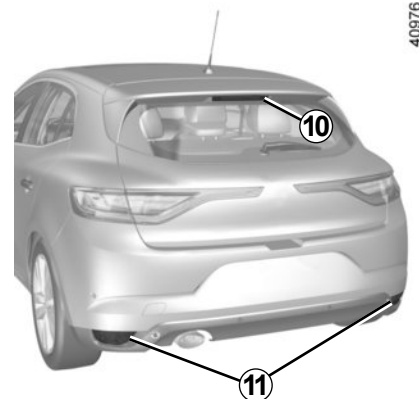


Turn bulb holder **9** a quarter of a turn and take out the bulb.

**Bulb type: W16W.**

### Refitting

To refit, proceed in the reverse order, taking care not to damage the wiring.



### High level brake light **10**

Consult an approved dealer.

### Halogen fog lights **11**

The front bumper needs to be removed; consult an authorised dealer.

**Bulb type: P21W.**

### LED fog lights **11**

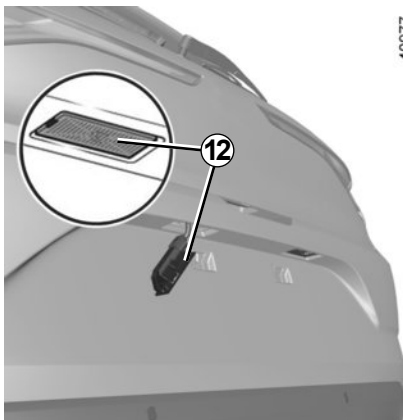
Consult an approved dealer.



The bulbs are under pressure and can break when replaced.

**Risk of injury.**

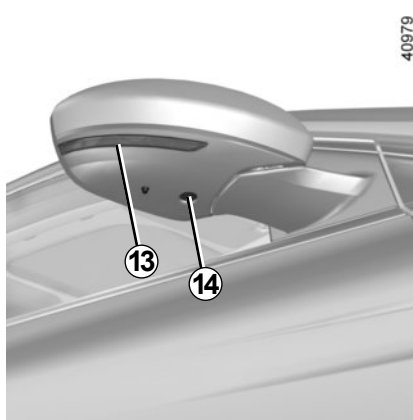
## REAR LIGHTS AND SIDE LIGHTS: replacing the bulbs (3/9)



### Number plate lights 12

- Unclip the light 12 using a tool such as a flat-blade screwdriver;
- remove the light cover to gain access to the bulb.

**Bulb type: W5W.**



### Side repeaters 13 and welcome lighting 14

The wing mirror needs to be removed; consult an authorised dealer.

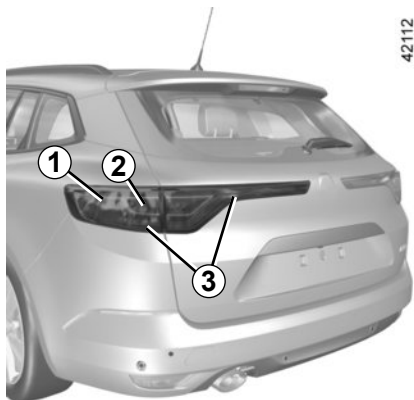


The bulbs are under pressure and can break when replaced.

**Risk of injury.**



## REAR LIGHTS AND SIDE LIGHTS: replacing the bulbs (4/9)



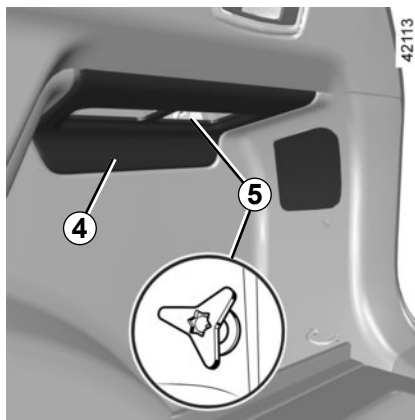
### Estate version

#### Brake light 1

Consult an approved dealer

#### Side light 3

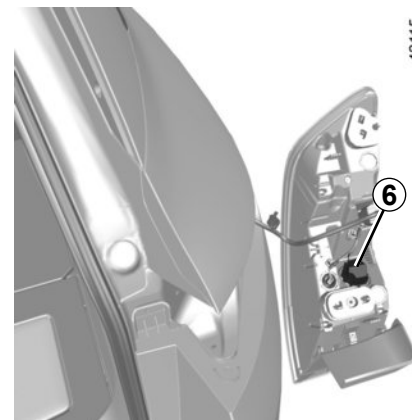
Consult an approved dealer.



### Access to the bulb-holder 6

Open the luggage compartment lid, remove the cover 4 to access the two screws 5 and undo them.

Remove the rear lights unit.

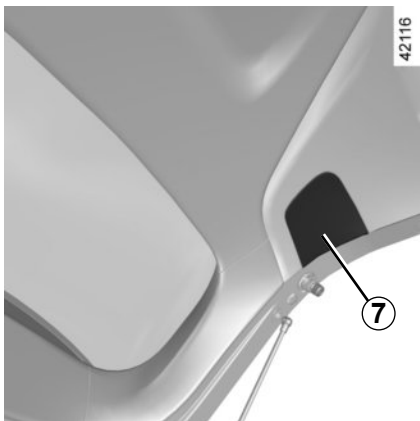


### Direction indicator light 2

Turn bulb holder 6 a quarter of a turn and take out the bulb.

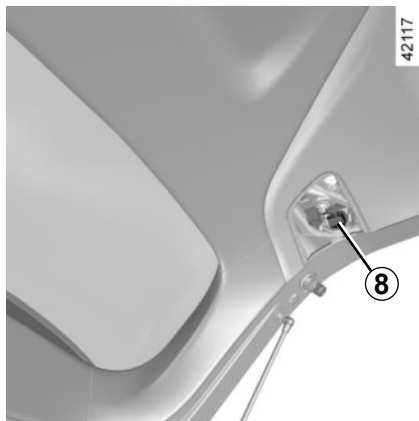
**Bulb type: PY21W.**

## REAR LIGHTS AND SIDE LIGHTS: replacing the bulbs (5/9)



### Reversing light

From the boot, unclip the cover on the interior trim of the boot lid **7** using a screwdriver or similar tool.



Turn bulb holder **8** a quarter of a turn and take out the bulb.

**Bulb type: W16W.**

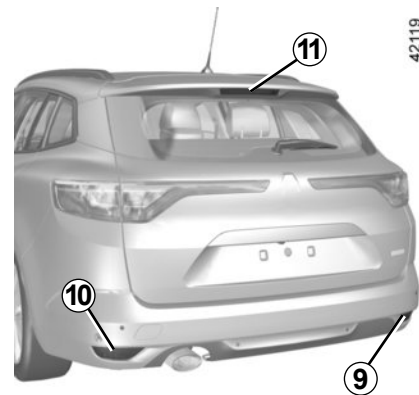
### Refitting

To refit, proceed in the reverse order, taking care not to damage the wiring.

### Rear fog light **10**

The front bumper needs to be removed; consult an authorised dealer.

**Bulb type: P21W.**



### Rear fog light **9**

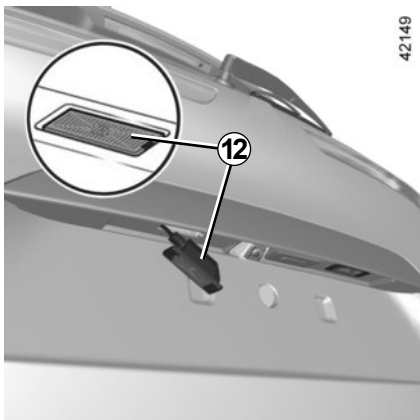
Unclip the flap located under the rear bumper using a flat-blade screwdriver or similar. Access the bulb holder, then unscrew it by turning towards the centre of the vehicle.

**Bulb type: P21W.**

### High level brake light **11**

Consult an approved dealer.

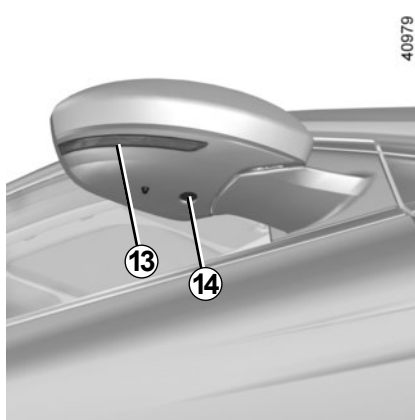
## REAR LIGHTS AND SIDE LIGHTS: replacing the bulbs (6/9)



### Number plate lights 12

- Unclip the light 12 using a tool such as a flat-blade screwdriver;
- remove the light cover to gain access to the bulb.

**Bulb type: W5W.**



### Side repeaters 13 and welcome lighting 14

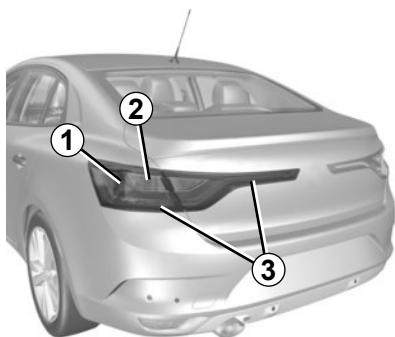
The wing mirror needs to be removed; consult an authorised dealer.



The bulbs are under pressure and can break when replaced.

**Risk of injury.**

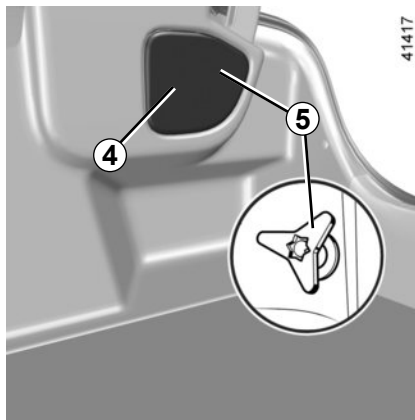
## REAR LIGHTS AND SIDE LIGHTS: replacing the bulbs (7/9)



### 4-door version

### Side light 3

Consult an approved dealer.



### Access to the bulb holders 6 and 7

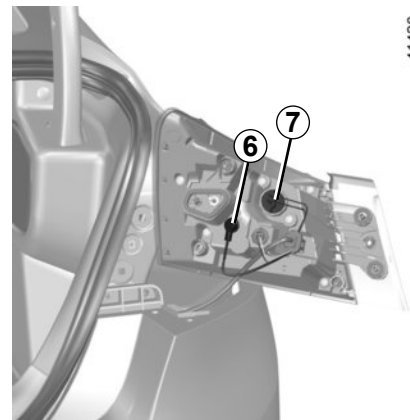
Open the boot, remove the cover 4 to access the screw 5 and undo it.

Remove the rear lights unit.

### Direction indicator light 2

Turn bulb holder 7 a quarter of a turn and take out the bulb.

**Bulb type: PY21W.**



### Brake light 1

Turn bulb holder 6 a quarter of a turn and take out the bulb.

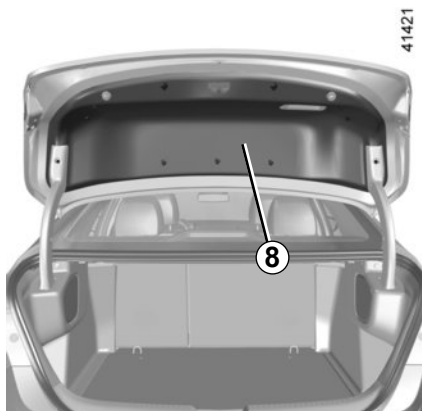
**Bulb type: P21W.**

Refit the bulb holder and push the unit in fully until it locks in place.

Check that the light is properly locked in position.

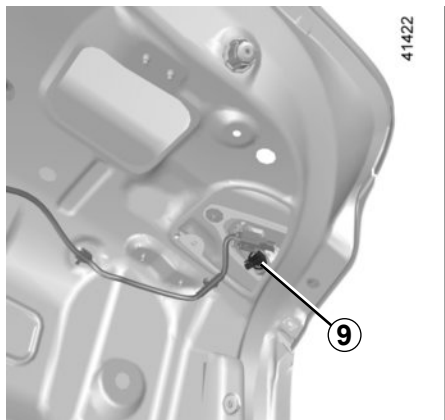
Tighten the screw 5 and reposition the cover 4.

## REAR LIGHTS AND SIDE LIGHTS: replacing the bulbs (8/9)



### Reversing light

From the boot, unclip the cover on the interior trim of the boot lid **8** using a screwdriver or similar tool.

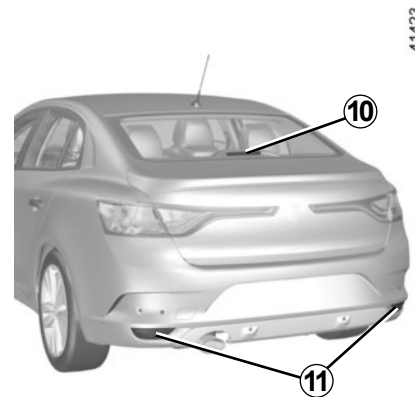


Turn bulb holder **9** a quarter of a turn and take out the bulb.

**Bulb type: W16W.**

### Refitting

To refit, proceed in the reverse order, taking care not to damage the wiring.



### High level brake light **10**

Consult an approved dealer.

### Halogen fog lights **11**

The front bumper needs to be removed; consult an authorised dealer.

**Bulb type: P21W.**

### LED fog lights **11**

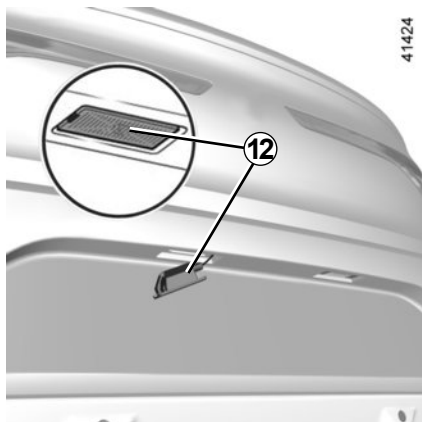
Consult an approved dealer.



The bulbs are under pressure and can break when replaced.

**Risk of injury.**

## REAR LIGHTS AND SIDE LIGHTS: replacing the bulbs (9/9)

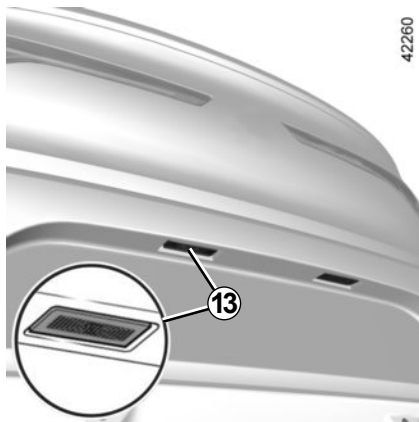


### Number plate lights with conventional bulbs 12

(depending on vehicle)

- Unclip the light **12** using a tool such as a flat-blade screwdriver;
- remove the light cover to gain access to the bulb.

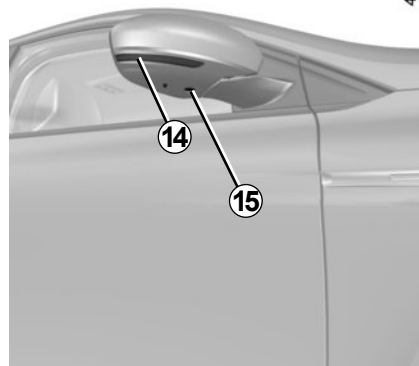
**Bulb type: W5W.**



### LED number plate lights 13

(depending on vehicle)

Consult an approved dealer



### Side repeaters 14 and welcome lighting 15

The wing mirror needs to be removed; consult an authorised dealer.



The bulbs are under pressure and can break when replaced.

**Risk of injury.**

## INTERIOR LIGHTING: changing bulbs (1/3)



### Map reading lights 1

Please consult an authorised dealer.



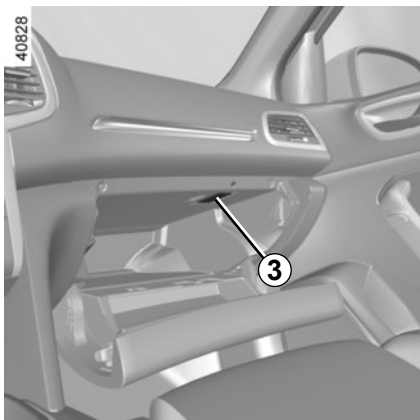
### Courtesy light 2

Please consult an authorised dealer.

## Ambient lighting

Please consult an authorised dealer.

## INTERIOR LIGHTING: changing bulbs (2/3)



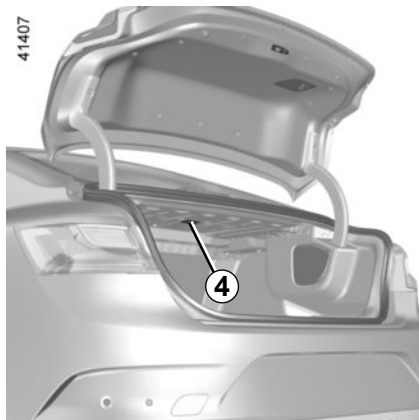
### Glove box light 3

Unclip the light by pressing the tab with a flat-blade screwdriver or similar. Remove the light by the rear whilst paying attention to the pull switch.

Disconnect the light.

Access the bulb.

**Bulb type: W5W.**



### Luggage compartment light 4 (four-door version)

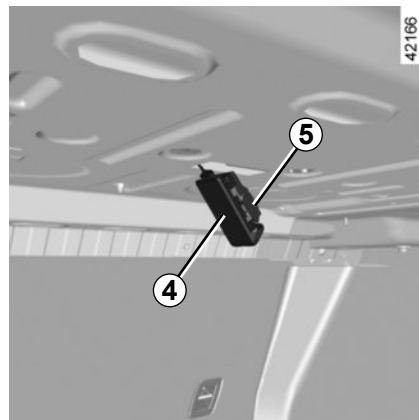
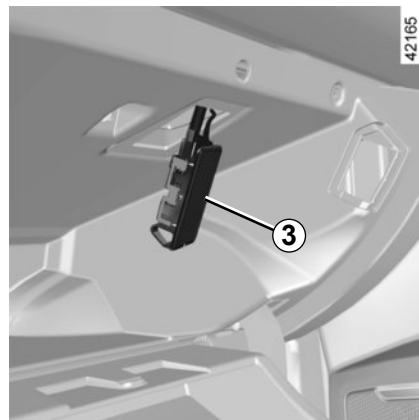
Unclip the light by pressing the tab with a flat-blade screwdriver or similar.

Disconnect the light.

Remove the bonnet 5

Access the bulb.

**Bulb type: W5W.**

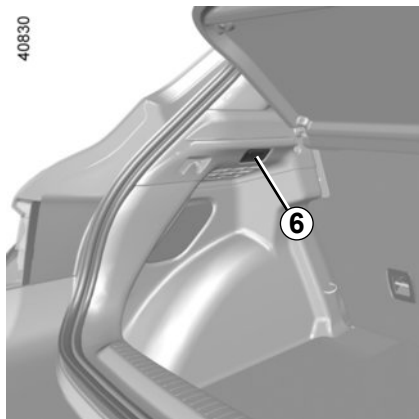


The bulbs are under pressure and can break when replaced.

**Risk of injury.**



## INTERIOR LIGHTING: changing bulbs (3/3)



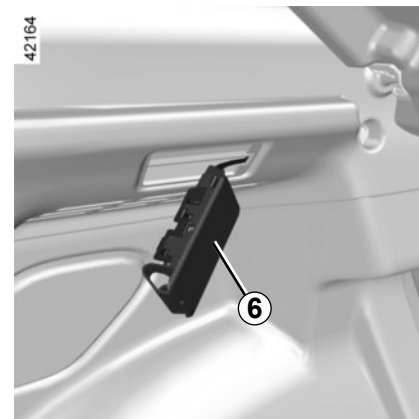
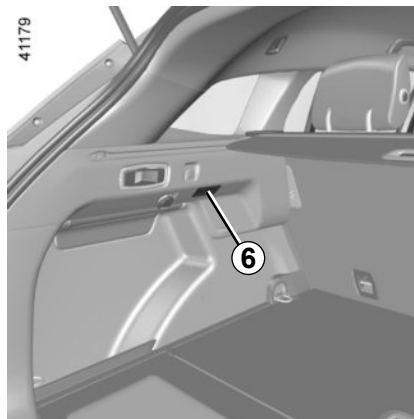
### Luggage compartment light 6 (five-seater and estate versions)

Unclip the light by pressing the tab with a flat-blade screwdriver or similar.

Disconnect the light.

Access the bulb.

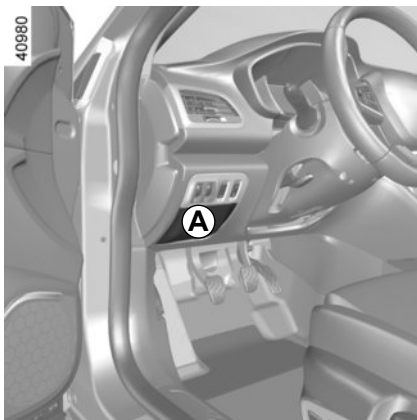
**Bulb type: W5W.**



The bulbs are under pressure and can break when replaced.

**Risk of injury.**

## FUSES (1/2)



### Fuse box

If any electrical component does not work, check the condition of the fuses.

Unclip the access flap **A**.

In accordance with local legislation or as a precautionary measure:

obtain an emergency kit containing a set of spare bulbs and fuses from an approved Dealer.

Use the fuse allocation label on the back of flap **A** to identify the fuses.

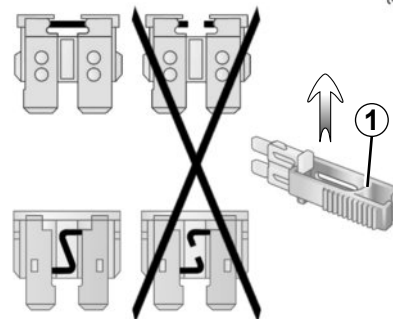
Certain fuses should only be replaced by a qualified professional. These fuses are not listed on the label.

Only change the fuses represented on the label.



Check the fuse in question and **replace it**, if necessary, **by a fuse of the same rating**.

If a fuse is fitted where the rating is too high, it may cause the electrical circuit to overheat (risk of fire) in the event of an item of equipment using an excessive amount of current.



### Tweezers 1











Remove the fuse using tweezers **1**, located at the back of flap **A**.









To remove the fuse from the tweezers, slide the fuse to the side.

It is not advisable to use the free fuse locations.

## FUSES (2/2)

Allocation of fuses  
(the presence of certain fuses depends on the vehicle equipment level)

Symbol	Allocation
	Windscreen washer
	Not used
	Front cigarette lighter, front and rear second row accessories socket
	Not used
	Heated door mirrors
	Brake lights, passenger compartment central unit
	Parking brake
	Additional servo
	Radio, multimedia screen, multimedia accessories sockets, parking brake control
	Passenger compartment centre unit, rear wiper, rear fog light

Symbol	Allocation
	Towbar socket
	Not used
	Diagnostic socket, audio alarm
	Horn
	Instrument panel, dashboard control lighting
	Locking opening elements, boot opening and closing control
	Direction indicator lights, hazard warning lights
	Rear USB sockets on console


## BATTERY: troubleshooting (1/2)

### To avoid all risk of sparks:

- Ensure that any consumers (courtesy lights, etc.) are switched off before disconnecting or reconnecting the battery;
- when charging, stop the charger before connecting or disconnecting the battery;
- to avoid creating a short circuit between the terminals, do not place metal objects on the battery;
- always wait at least one minute after the engine has been switched off before disconnecting a battery;
- make sure that you reconnect the battery terminals after refitting.



Please note when working close to the engine that it may be hot. The engine cooling fan may also start

at any moment. The  warning light in the engine compartment reminds you of this.

**Risk of injury.**

### Connecting a battery charger

**The battery charger must be compatible with a battery with nominal voltage of 12 volts.**

Do not disconnect the battery when the engine is running. **Follow the instructions given by the manufacturer of the battery charger you are using.**



Special procedures may be required to charge some batteries. Contact your authorised dealer.

Avoid all risk of sparks which may cause an immediate explosion, and charge the battery in a well ventilated area.

**Risk of serious injury.**



Before performing any action in the engine compartment, the ignition must be switched off (please see the information on “Starting, stopping the engine” in Section 2).



Handle the battery with care as it contains sulphuric acid, which must not come into contact with eyes or skin. If it does, wash the affected area with plenty of cold water. If necessary, consult a doctor.

Ensure that naked flames, red hot objects and sparks do not come into contact with the battery as there is a risk of explosion. There is a risk of explosion.

The engine may be hot when carrying out operations in close proximity. In addition, the engine cooling fan can come on at any moment.

**Risk of injury.**

## BATTERY: troubleshooting (2/2)

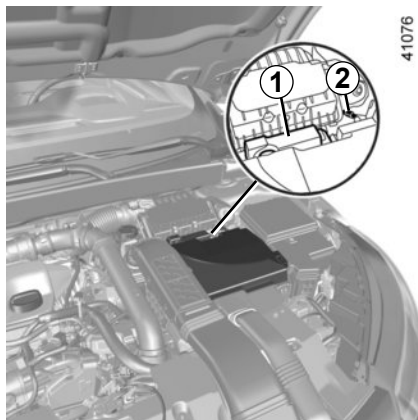
### Starting the vehicle using the battery from another vehicle

If you have to use the battery from another vehicle to start, obtain suitable jump leads (with a large cross section) from an approved dealer or, if you already have jump leads, ensure that they are in perfect condition.

**The two batteries must have an identical nominal voltage of 12 volts.** The battery supplying the current should have a capacity (amp-hours, Ah) which is at least the same as that of the discharged battery.

Ensure that there is no risk of contact between the two vehicles (risk of short circuiting when the positive terminals are connected) and that the discharged battery is properly connected. Switch off your vehicle ignition.

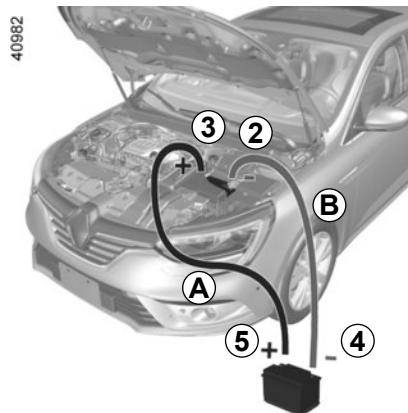
Start the engine of the vehicle supplying the current and run it at a moderate speed.



Lift the red cover on box **1** located behind the battery.

Connect the positive cable **A** to **support 3 (+)** located under the box cover **1**, then to **terminal 5 (+)** of the battery supplying the current.

Connect the negative cable **B** to **terminal 4 (-)** of the battery supplying the current then to the **metal cable 2 (-)** of the discharged battery.



Start the engine, and as soon as it starts running, disconnect cables **A** and **B** in reverse order (**2 - 4 - 5 - 3**).



Check that there is no contact between leads **A** and **B** and that the positive lead **A** is not touching any metal parts on the vehicle supplying the current.

Risk of injury and/or damage to the vehicle.

## RENAULT CARD: battery (1/2)



### Replacing the battery

When the message “Keycard battery low” appears on the instrument panel, replace the battery in the RENAULT card:

- slide the rear casing **1** downwards while pressing on zone **A**;
- remove the battery cover **2**;
- remove the battery by pressing on one side and lifting the other;



- replace it according to the direction and template shown inside the cover.

When refitting, proceed in the reverse order, then press one of the buttons on the card four times, close to the vehicle: the message will disappear.

Check that the cover is clipped shut.

The batteries are available from approved Dealers, and their service life approximately two years. Check that there is no dye on the battery: risk of an incorrect electrical contact.



If they need to be replaced, be sure to use the same or equivalent type of battery (consult an Approved Dealer).



When replacing:

- make sure that the batteries are correctly inserted.

**There is a risk of explosion.**

- if the flap does not close correctly, do not use and keep out of reach of children.

## RENAULT CARD: battery (2/2)

### Operating faults

If the battery is too weak to ensure correct operation, you can still start and lock/unlock the vehicle (please refer to the information on "Locking/unlocking the doors" in Section 1).

26613



Do not throw away your used batteries; give them to an organisation responsible for collecting and recycling batteries.



### Precautions relating to batteries:

- keep (new or used) batteries out of reach of children;
  - not to swallow the batteries.
- Risk of chemical burns which may led to death.**
- if ingested or inserted into any part of the body, consult a doctor as soon as possible.

## RADIO FREQUENCY REMOTE CONTROL: batteries (1/2)

40080



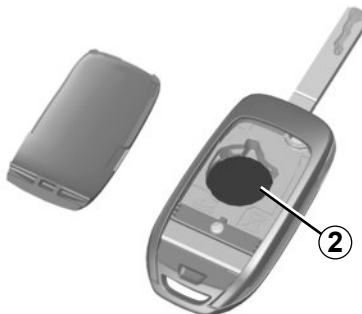
### Replacing the battery

Open the case at slot **1** using a flat-blade screwdriver or similar, and replace the battery **2**, observing the polarity shown on the back of the cover.



If they need to be replaced, be sure to use the same or equivalent type of battery (consult an Approved Dealer).

40081



**Note:** It is not advisable to touch the electronic circuit in the key cover when replacing the battery.

When refitting, ensure that the cover is correctly clipped on and the screw tightened.

The batteries are available from approved Dealers, and their service life approximately two years.

Check that there is no dye on the battery: risk of an incorrect electrical contact.



## RADIO FREQUENCY REMOTE CONTROL: batteries (2/2)

### Operating faults

If the battery is too weak to ensure correct operation, you can still start and lock/unlock the vehicle (please refer to the information on "Locking/unlocking the opening elements" in Section 1).

26613



Do not throw away your used batteries; give them to an organisation responsible for collecting and recycling batteries.



### Precautions relating to batteries:

- keep (new or used) batteries out of reach of children;
  - not to swallow the batteries.
- Risk of chemical burns which may led to death.**
- if ingested or inserted into any part of the body, consult a doctor as soon as possible.



When replacing:

- make sure that the batteries are correctly inserted.

**There is a risk of explosion.**

- if the flap does not close correctly, do not use and keep out of reach of children.

# ACCESSORIES



## Electrical and electronic accessories

Before installing this type of accessory (particularly for transmitters/receivers: frequency bandwidth, power level, position of the aerial, etc.), make sure it is compatible with your vehicle. You can get advice from an authorised dealer.

Connect accessories with a maximum power of 120 Watts only. **Fire hazard.** When several accessory sockets are used at the same time, the total power of the connected accessories must not exceed 180 watts.

No work may be carried out on the vehicle's electrical or radio circuits, except by authorised dealers: an incorrectly connected system may result in damage being caused to the electrical equipment and/or the components connected to it.

If the vehicle is fitted with any aftermarket electrical equipment, make sure that the installation is correctly protected by a fuse.

Establish the rating and position of this fuse.

## Using the diagnostic socket

The use of electronic accessories on the diagnostic socket may cause serious disturbance to the vehicle's electronic systems.

For your safety we recommend that you use only electronic accessories approved by the manufacturer, consult an Approved Dealer. **Serious accident risk.**

## Use of transmitting/receiving devices (telephones, CB equipment etc.)

Telephones and CB equipment with integrated aerials may cause interference to the electronic systems originally fitted to the vehicle: it is advisable only to use equipment with an external aerial. **Furthermore, we remind you of the need to conform to the legislation in force concerning the use of such equipment.**

## Fitting aftermarket accessories

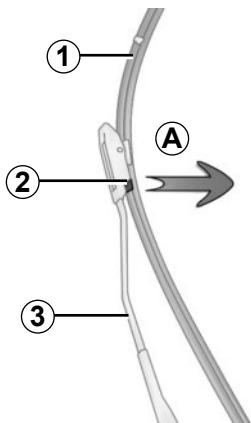
If you wish to install accessories on the vehicle: please contact an authorised dealer. Also, to ensure the correct operation of your vehicle, and to avoid any risk to your safety, we recommend that you use only accessories specifically designed for your vehicle, which are the only accessories for which the manufacturer will provide a warranty.

If you are using an anti-theft device, only attach it to the brake pedal.

## Obstructions to the driver

On the driver's side, only use mats suitable for the vehicle, attached with the pre-fitted components, and check the fitting regularly. Do not lay one mat on top of another. **There is a risk of wedging the pedals.**

## WIPER BLADES: REPLACEMENT (1/2)



### Replacing windscreen wiper blades 1

**With the ignition on and engine switched off**, lower the windscreen wiper stalk completely: they stop slightly away from the bonnet.

Lift wiper arm **3**, pull tab **2** (movement **A**) and push the blade upwards.

#### To refit

Slide the blade along the arm until it clips on. Make sure that the blade is correctly locked in position. Return the windscreen wiper stalk to the park position.

Check the condition of the wiper blades. You are responsible for their service life:

- clean the blades, windscreen and rear screen regularly with soapy water;
- do not use them when the windscreen or rear screen are dry;
- free them from the windscreen or rear screen when they have not been used for a long time.



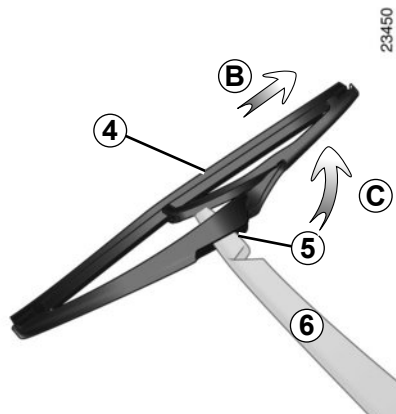
– In frosty weather, make sure that the wiper blades are not stuck by ice (to avoid the risk of the motor overheating).

- Check the condition of the wiper blades.

Replace the wiper blades as soon as they begin to lose efficiency (approximately once a year).

Whilst changing the blade, take care not to drop the arm onto the window after it has been removed as this may break the window.

## WIPER BLADES: REPLACEMENT (2/2)



### Rear screen wiper blade 4

Stalk in stop position (deactivated):

- Lift wiper arm **6**;
- pivot blade **4** until some resistance is met (movement **C**);
- depending on the vehicle, press tab **5**, then remove the blade by pulling it (movement **B**).

### To refit

To refit the wiper blade, proceed in reverse order to removal. Make sure that the blade is correctly locked in position.



Before changing the rear wiper blade, make sure the stalk is in the stop position (deactivated).

Risk of injury.

## TOWING: breakdown recovery (1/2)

Before towing, put the gearbox in neutral, unlock the steering column and release the parking brake.

For vehicles fitted with an automatic gearbox, if it is not possible to put the gear lever into position **N**, please consult an authorised dealer.

### Steering column unlocking

Insert the key into the ignition or, depending on the vehicle, having the RENAULT card on you, press the engine start button for **2 seconds**.

Reposition the lever to neutral (position **N** for vehicles fitted with an automatic gearbox).

The column is unlocked, the accessory functions are supplied: the vehicle lights can be used (indicators, brake lights etc.). At night the vehicle must have its lights on.

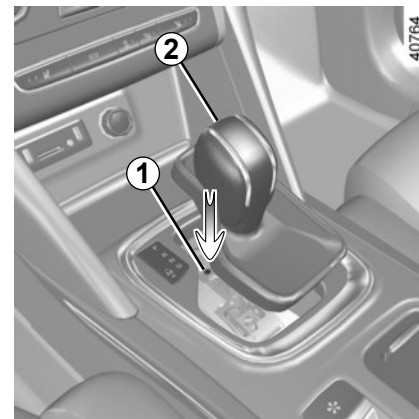
Depending on the vehicle, once you have finished towing, press the engine start button twice (risk of running down the battery).

The speed specified by current legislation for towing must always be observed. If your vehicle is the towing vehicle, do not exceed the maximum towing weight for your vehicle (refer to the information on “Weights” in Section 6).

### Towing a vehicle with an automatic gearbox

Transport the vehicle on a trailer or tow it with the front wheels off the ground.

**In exceptional circumstances**, you may tow it with all four wheels on the ground, only in a forward gear, with the gear in neutral position **N** over a maximum distance of 50 miles and not exceeding a speed of 15 mph (25 km/h).



If the lever is stuck in **P**, even though you are depressing the brake pedal, the lever can be released manually.

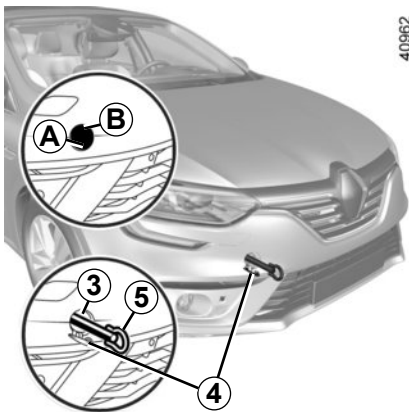
To do this, unclip the base of the lever, then insert a tool (with a hard rod to it) into the slot **1** and press the button **2** at the same time in order to unlock the lever.

Contact an authorised dealer as soon as possible.



Do not remove the key from the ignition when the vehicle is being towed.

## TOWING: breakdown recovery (2/2)



Only use the front 3 and rear 6 towing points (never use the drive shafts or any other part of the vehicle)

These towing points may only be used for towing: never use them for lifting the vehicle directly or indirectly.



When the engine is stopped, steering and braking assistance are no longer provided.



### Access to towing points

#### Front towing point 3

Press zone **A** and keep depressed while pulling zone **B** to open flap **4**.

#### Rear towing point 6

Press zone **C** and keep depressed while pulling zone **D** to open flap **7**.

Screw in the tow eye **5** by hand as far as possible.

Use the towing eye **5** only (please see “Tools” in Section 5).



– Use a rigid towing bar. If a rope or cable is used (where the law allows this), the vehicle being towed must be able to brake.

- A vehicle must not be towed if it is not fit to be driven.
- Avoid accelerating or braking suddenly when towing, as this may result in damage being caused to the vehicle.
- When towing a vehicle, it is advisable not to exceed **30 mph (50 km/h)**.
- Do not push the vehicle if the steering column is locked.



Do not leave the tools unsecured inside the vehicle as they may come loose under braking.

## OPERATING FAULTS (1/7)

The following advice will enable you to carry out quick, temporary repairs. For safety reasons you should always contact an approved Dealer as soon as possible.

Using the RENAULT card	POSSIBLE CAUSES	WHAT TO DO
The RENAULT card does not lock or unlock the doors.	Card battery is flat.	Replace the battery or have it replaced. You can still lock/unlock and start your vehicle (refer to the information on “Locking/unlocking the doors” in Section 1 and “Starting/Stopping the engine” in Section 2).
	Use of appliances operating on the same frequency as the card (mobile phone, etc.).	Stop using the equipment or use the integrated key (refer to the information on “Locking, unlocking the opening elements” in Section 1).
	Vehicle located in a high electromagnetic radiation zone. Vehicle battery flat.	Use the key integrated in the card (refer to the information on “Locking, unlocking the opening elements” in Section 1).
	The vehicle is started.	With the engine running, the card’s locking/unlocking device is blocked. Turn off the ignition.

## OPERATING FAULTS (2/7)

The following advice will enable you to carry out quick, temporary repairs. For safety reasons you should always contact an approved dealer as soon as possible.

Using the remote control	POSSIBLE CAUSES	ACTION REQUIRED
The remote control does not lock or unlock the doors.	The remote control battery is flat.	Use the emergency key.
	Use of appliances operating on the same frequency as the remote control (mobile phone, etc.).	Stop using the devices or use the key.
	Vehicle located in a high electromagnetic radiation zone. Discharged battery.	Replace the battery or have it replaced. You can still lock/unlock and start your vehicle (refer to the information on “Locking/unlocking the doors” in Section 1 and “Starting/Stopping the engine” in Section 2).
	The vehicle is started.	With the engine running, the key’s locking/unlocking device is blocked. Turn off the ignition.



## OPERATING FAULTS (3/7)

<b>The starter is activated</b>	<b>POSSIBLE CAUSES</b>	<b>WHAT TO DO</b>
The instrument panel indicator lights are weak or fail to light up and the starter does not turn.	Battery terminals not tight, battery terminals disconnected or oxidised.	Retighten or reconnect the terminals, or clean them if they are oxidised.
	Discharged battery or not operational.	Connect another battery to the faulty battery. Refer to information on "Battery: troubleshooting" in Section 5 or replace the battery if necessary. Do not push the vehicle if the steering column is locked.
	Faulty circuit.	Consult an approved dealer.
The engine will not start.	Starting conditions are not fulfilled.	Please refer to the information on "Starting, stopping the engine" in Section 2.
	The RENAULT card does not work.	Please refer to the information on "Starting, stopping the engine" in Section 2.
The engine cannot be switched off.	Card not detected.	Please refer to the information on "Starting, stopping the engine" in Section 2.
	Electronic fault.	Press the starter button quickly five times.
The steering column remains locked.	Steering wheel locked.	Move the steering wheel while pressing the engine start button or, depending on the vehicle, while turning the key (refer to the information on "Starting, stopping the engine" in Section 2).
	Faulty circuit.	Consult an approved dealer.

## OPERATING FAULTS (4/7)

<b>On the road</b>	<b>POSSIBLE CAUSES</b>	<b>WHAT TO DO</b>
Vibrations.	Tyres not inflated to correct pressures, incorrectly balanced or damaged.	Check the tyre pressures: if this is not the problem, have them checked by an approved Dealer.
White smoke from the exhaust.	In the diesel version, this is necessarily a fault. Smoke may be caused by particle filter regeneration.	Refer to the information on “Special features of diesel versions” in Section 2.
Smoke under the bonnet.	Short-circuit or cooling system leak.	Stop, switch off the ignition, stand away from the vehicle and contact an approved dealer.
The oil pressure warning light comes on:		
while cornering or braking	The level is too low.	Top up the engine oil level (refer to the information on “Engine oil level: topping up, filling” in Section 4).
is slow to go out or remains lit under acceleration	Loss of oil pressure.	Stop the vehicle and contact an approved Dealer.

## OPERATING FAULTS (5/7)

On the road	POSSIBLE CAUSES	WHAT TO DO
Steering becomes heavy.	Assistance overheating. Fault with the electric assistance motor. Fault in the assistance system.	Drive carefully at reduced speed, be aware of the level of force in the steering wheel needed to turn the wheels. Consult an approved dealer
The engine is overheating. The coolant temperature indicator is in the warning zone and warning light <b>STOP</b> comes on.	Engine cooling fan not working.	Stop the vehicle, switch off the engine and contact an approved dealer.
	Coolant leaks.	Check the coolant reservoir: it should contain fluid. If there is no coolant, consult an approved dealer as soon as possible.
Coolant boiling in the coolant reservoir.	Mechanical fault: damaged cylinder head gasket.	Stop the engine. Contact an approved dealer.



**Radiator:** If there is a significant lack of coolant, remember that it must never be topped up using cold coolant while the engine is very warm. After any procedure on the vehicle which has involved even partial draining of the cooling system, it must be refilled with a new mixture prepared in the correct proportions. Reminder: only products approved by our Technical Department may be used for this purpose.

## OPERATING FAULTS (6/7)

<b>Electrical equipment</b>	<b>POSSIBLE CAUSES</b>	<b>WHAT TO DO</b>
The wipers do not work.	Wiper blades stuck.	Free the blades before using the wipers.
	Faulty electrical circuit.	Consult an approved dealer.
	Fuse damaged.	Replace the fuse or have it replaced; refer to the information on "Fuses" in section 5.
The wiper does not stop.	Faulty electrical controls.	Consult an approved dealer.
Direction indicators flashing more quickly.	Blown bulb.	See information on "Headlights: changing bulbs" or "Rear and side lights: changing bulbs".
The direction indicators do not work.	Faulty electrical circuit or control.	Consult an approved dealer.
	Fuse damaged.	Replace the fuse or have it replaced; refer to the information on "Fuses" in section 5.
The lights do not come on or go off.	Faulty electrical circuit or control.	Consult an approved dealer.
	Fuse damaged.	Replace the fuse or have it replaced; refer to the information on "Fuses" in section 5.

## OPERATING FAULTS (7/7)

<b>Electrical equipment</b>	<b>POSSIBLE CAUSES</b>	<b>WHAT TO DO</b>
<p>Traces of condensation in the lights and headlights.</p>	<p>Traces of condensation may be a natural phenomenon caused by variations in temperature and humidity.</p> <p>In this case, the traces will disappear slowly once the lights are switched on.</p>	
<p>The front seat belt reminder light comes on when the seat belts are fastened.</p>	<p>An object is stuck between the floor and the seat and is disrupting the operation of the sensor.</p>	<p>Remove all objects from underneath the front seats.</p>

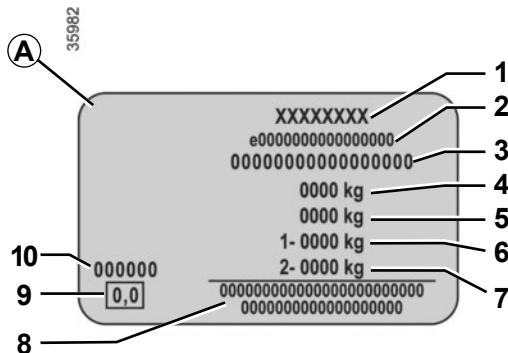
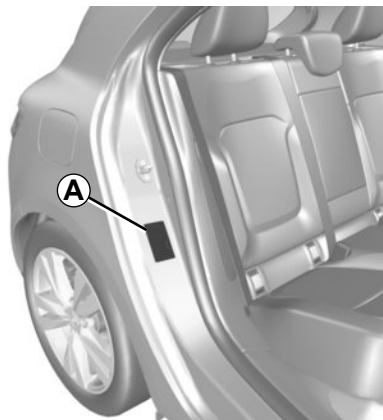


# Section 6: Technical specifications

Vehicle identification plates . . . . .	6.2
Engine identification plates . . . . .	6.3
Dimensions . . . . .	6.5
Engine specifications . . . . .	6.8
Weights . . . . .	6.11
Towing weights . . . . .	6.11
Replacement parts and repairs . . . . .	6.12
Service sheets . . . . .	6.13
Anticorrosion check . . . . .	6.19

# VEHICLE IDENTIFICATION PLATES

40939



The information shown on the vehicle identification plate should be quoted on all correspondence or orders.

The presence and location of the information depends on the vehicle.

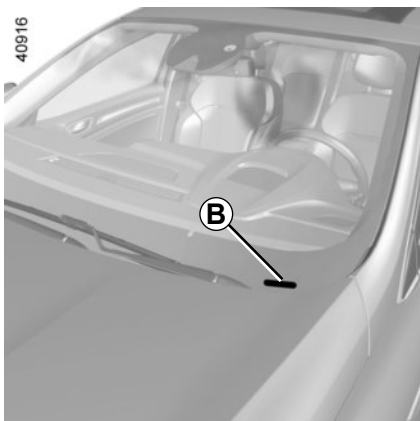
## Vehicle identification plate A

- 1 Manufacturer name.
- 2 EC design number or approval number.
- 3 Identification number.

Depending on the vehicle, this information is also given on marking B.

- 4 MMAC (Maximum permissible all-up weight).
- 5 MTR (Gross train weight: vehicle fully loaded, with trailer).
- 6 MMTA (Maximum Permissible Weight) front axle.
- 7 MMTA rear axle.
- 8 Reserved for related or additional entries.
- 9 Not used.
- 10 Paint reference (colour code).

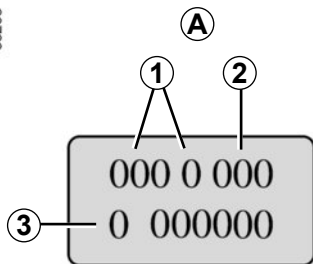
40916





# ENGINE IDENTIFICATION PLATES (1/2)

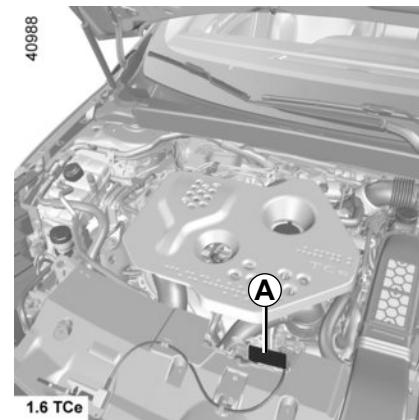
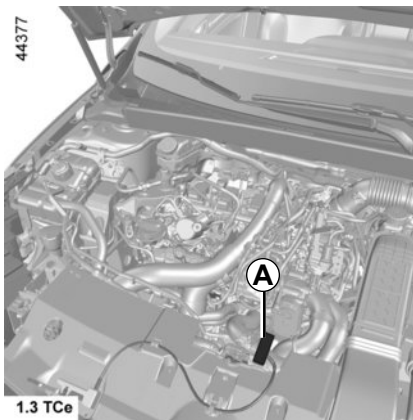
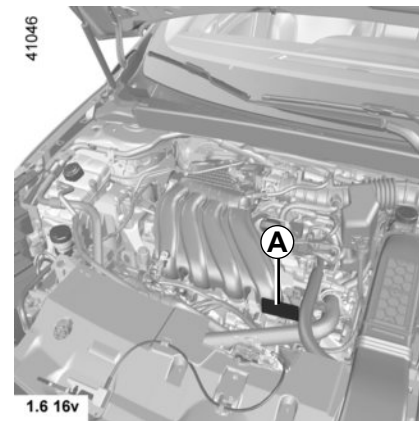
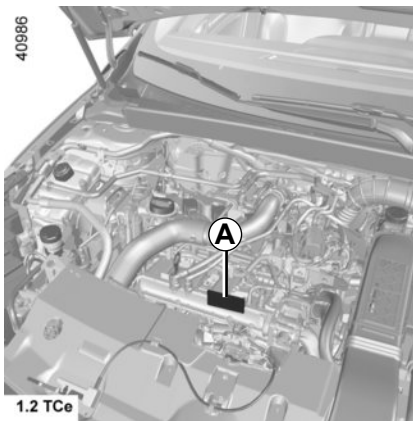
33293



**Please quote the information on the engine plate or label A in all correspondence or orders.**

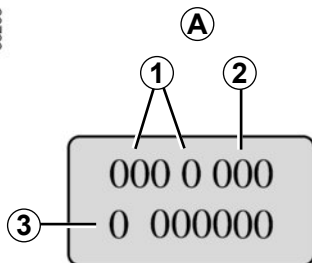
(Location varies depending on engine)

- 1 Engine type.
- 2 Engine suffix.
- 3 Engine number.



## ENGINE IDENTIFICATION PLATES (2/2)

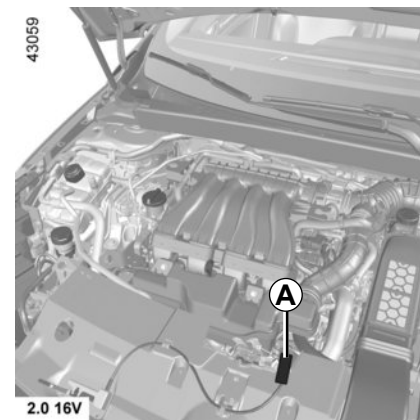
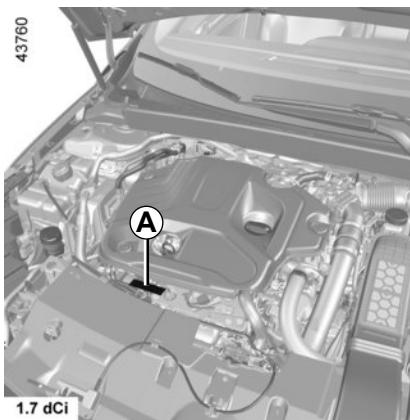
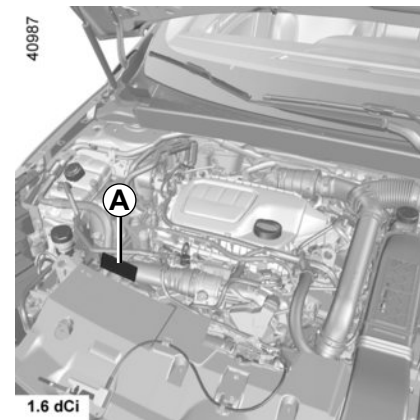
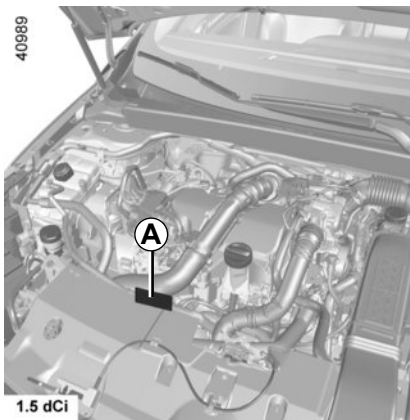
33293



**Please quote the information on the engine plate or label A in all correspondence or orders.**

(Location varies depending on engine)

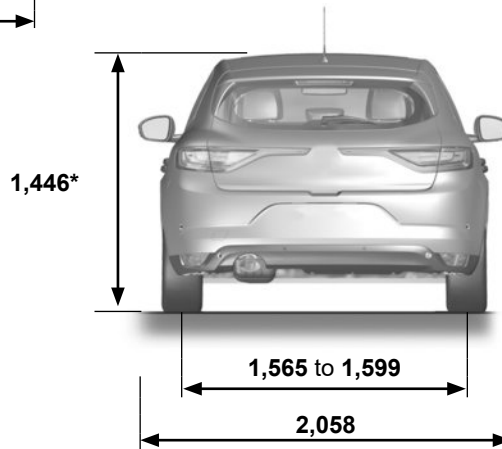
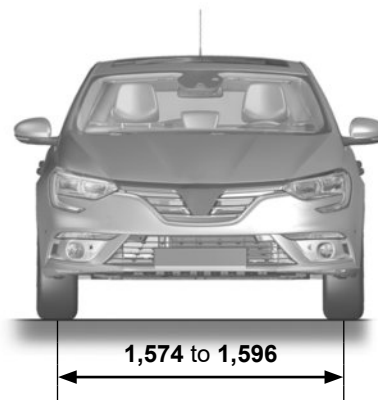
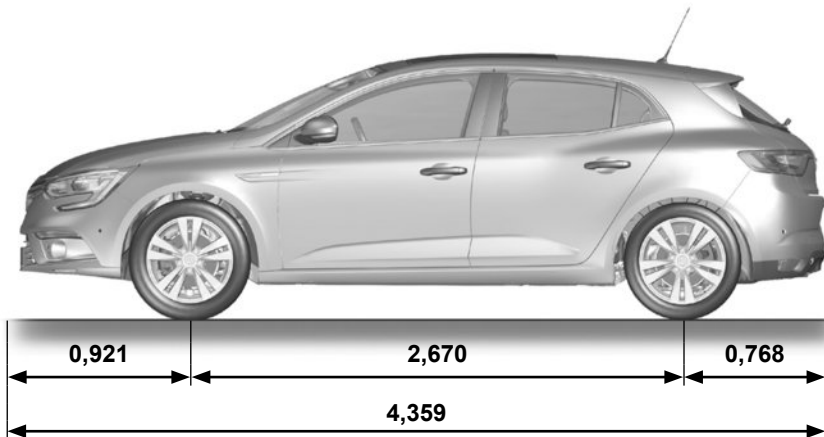
- 1 Engine type.
- 2 Engine suffix.
- 3 Engine number.



# DIMENSIONS (in metres) (1/3)

Five-door version

40984

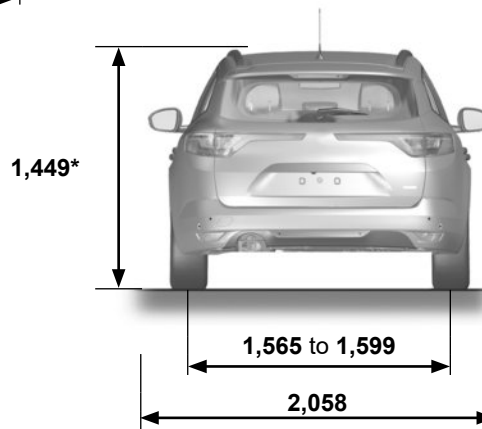
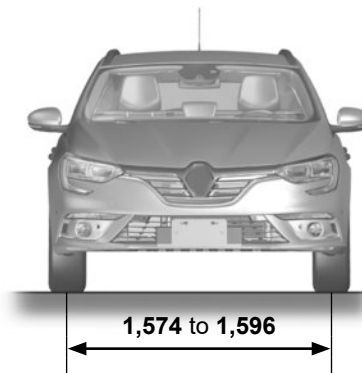
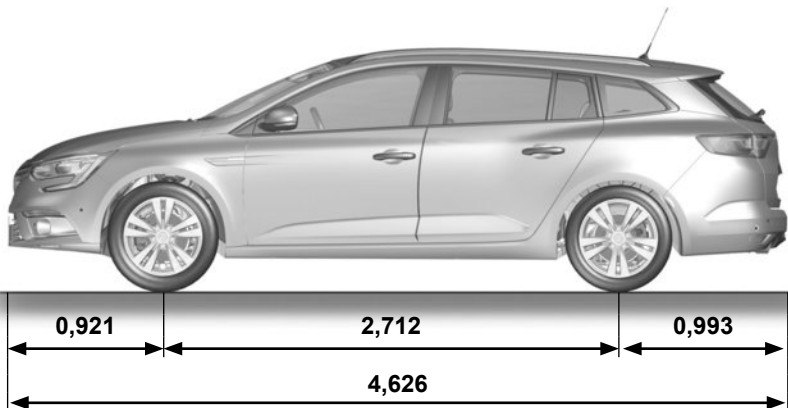


\* Unladen

# DIMENSIONS (in metres) (2/3)

Estate versions

41383



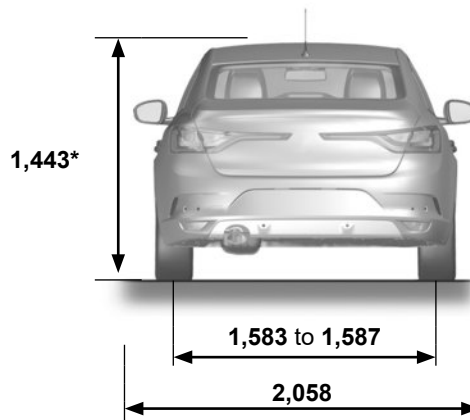
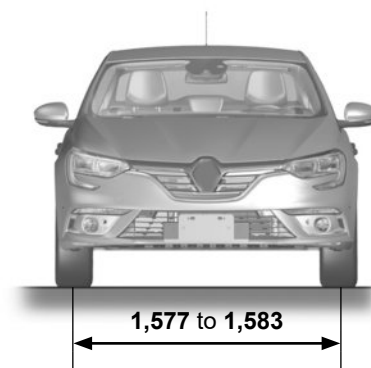
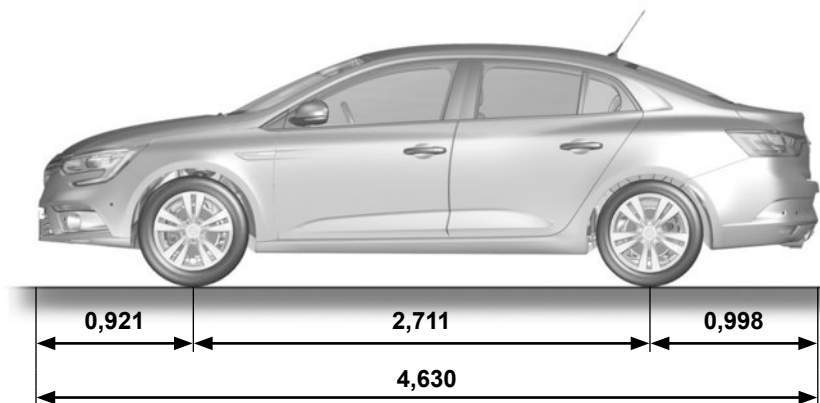
\* Unladen

6.6

# DIMENSIONS (in metres) (3/3)

Four-door version

41414








\* Unladen

## ENGINE SPECIFICATIONS (1/3)

Versions	2.0 16V	1.2 TCe	1.3 TCe	1.6 16V	1.6 TCe	1.5 dCi	1.6 dCi	1.7 dCi
<b>Engine type</b> (see engine plate)	M4R	H5F Turbo	H5H Turbo	H4M	M5M Turbo	K9K	R9M	R9N
<b>Cubic capacity (cc)</b>	1995	1197	1333	1598	1618	1461	1598	1749
<b>Type of fuel</b> <b>Octane rating</b>	Petrol It is <b>essential</b> that you use unleaded petrol of the octane rating stated on the label inside the fuel filler flap. Refer to "Fuel tank" in Section 1.					Diesel The label located in the fuel filler flap indicates the authorised fuels.		

## ENGINE SPECIFICATIONS (2/3)

Versions	2.0 16V	1.2 TCe	1.3 TCe	1.6 16V	1.6 TCe	1.5 dCi	1.6 dCi	1.7 dCi
<b>Engine type</b> (see engine plate)	M4R	H5F Turbo	H5H Turbo	H4M	M5M Turbo	K9K	R9M	R9N
<b>Cubic capacity (cc)</b>	1995	1197	1333	1598	1618	1461	1598	1749
<b>Fuel types that meet European standards and are compatible with the engines of vehicles sold in Europe</b> (in any other case, contact an Approved Dealer).	 Unleaded petrol compliant with standard <b>EN 228</b> contains up to 5% ethanol in volume.					 Diesel fuel compliant with standard <b>EN 590</b> contains up to 7% fatty acid methyl ester in volume.		
	 Unleaded petrol compliant with standard <b>EN 228</b> contains up to 10% ethanol in volume.					 Diesel fuel compliant with standard <b>EN 16734</b> contains up to 10% fatty acid methyl ester in volume.		
						 Diesel fuel compliant with standard <b>EN 15940</b> contains up to 7% acid methyl ester in volume.		

## ENGINE SPECIFICATIONS (3/3)

Versions	2.0 16V	1.2 TCe	1.3 TCe	1.6 16V	1.6 TCe	1.5 dCi	1.6 dCi	1.7 dCi
<b>Engine type</b> (see engine plate)	M4R	H5F Turbo	H5H Turbo	H4M	M5M Turbo	K9K	R9M	R9N
<b>Cubic capacity (cc)</b>	1995	1197	1333	1598	1618	1461	1598	1749
<b>Spark plugs</b>	<p>Only use the spark plugs specified for your vehicle's engine. The type should be marked on a label affixed inside the engine compartment. If it is not then contact an approved Dealer. Fitting spark plugs which are not to specification may damage the engine.</p>							



## WEIGHTS (in kg)

The weights indicated are for a basic vehicle without options: they may vary depending on your vehicle's equipment. Consult an approved Dealer.

	Five door	Estate	Four-door
<b>Maximum permissible all-up weight (MMAC)</b> <b>Maximum permissible all-up weight (MMTA)</b> <b>Gross Train Weight (MTR)</b>	Weights are indicated on the vehicle identification plate (refer to the information on "Vehicle identification plates" in Section 6)		
<b>Braked Trailer Weight*</b>	found by calculating: <b>MTR - MMAC</b>		
<b>Unbraked Trailer Weight*</b>	630	665	660
<b>Permissible nose weight*</b>	75	75	75
<b>Maximum permissible load on roof</b>	80 kg (including the carrying device)		

### \* Towing weight (Towing a caravan, boat, etc.)

Towing is prohibited when the MTR - MMAC calculation is equal to zero, or when the MTR is equal to zero (or is not listed) on the identification plate.

- It is important to comply with the towing weights, governed by local legislation in each country and, in particular, laid down in the Road Traffic Regulations. Contact an approved Dealer about any towing equipment.
- When towing, under no circumstances may **the total train weight (vehicle + trailer) be exceeded**. However the following is permitted:
  - rear axle MMTA exceeded by no more than 15%,
  - maximum MMAC exceeded by no more than 10% or 100 kg (whichever is reached first).
 In either case, the maximum speed of the towing assembly must not exceed 60 mph (100 km/h) and the tyre pressure must be increased by 0.2 bar (3 PSI).
- The engine output and climbing capability are reduced with altitude. We recommend that the maximum load be reduced by 10% at an altitude of 1,000 metres and by an additional 10% for each 1,000 metres thereafter.

## REPLACEMENT PARTS AND REPAIRS

Original parts are based on strict specifications and are subject to highly-specialised tests. Therefore, they are of at least the same level of quality as the parts fitted originally.

If you always fit genuine replacement parts to your vehicle, you will ensure that it performs well. Furthermore, repairs carried out within the manufacturer's Network using original parts are guaranteed according to the conditions set out on the reverse of the repair order.

# SERVICE SHEETS (1/6)

VIN: .....

Date: _____ Miles (Km): _____		Invoice number: _____		Comments/miscellaneous	
<b>Type of operation:</b>		<b>Stamp</b>			
Service <input type="checkbox"/>					
..... <input type="checkbox"/>					
<b>Anti-corrosion check:</b>					
OK <input type="checkbox"/> Not OK* <input type="checkbox"/>					
*See specific page					
Date: _____ Miles (Km): _____		Invoice number: _____		Comments/miscellaneous	
<b>Type of operation:</b>		<b>Stamp</b>			
Service <input type="checkbox"/>					
..... <input type="checkbox"/>					
<b>Anti-corrosion check:</b>					
OK <input type="checkbox"/> Not OK* <input type="checkbox"/>					
*See specific page					
Date: _____ Miles (Km): _____		Invoice number: _____		Comments/miscellaneous	
<b>Type of operation:</b>		<b>Stamp</b>			
Service <input type="checkbox"/>					
..... <input type="checkbox"/>					
<b>Anti-corrosion check:</b>					
OK <input type="checkbox"/> Not OK* <input type="checkbox"/>					
*See specific page					

# SERVICE SHEETS (2/6)

VIN: .....

Date:	Miles (Km):	Invoice number:	Comments/miscellaneous
<b>Type of operation:</b>		<b>Stamp</b>	
Service	<input type="checkbox"/>		
.....	<input type="checkbox"/>		
<b>Anti-corrosion check:</b>			
OK	<input type="checkbox"/>	Not OK*	<input type="checkbox"/>
*See specific page			

Date:	Miles (Km):	Invoice number:	Comments/miscellaneous
<b>Type of operation:</b>		<b>Stamp</b>	
Service	<input type="checkbox"/>		
.....	<input type="checkbox"/>		
<b>Anti-corrosion check:</b>			
OK	<input type="checkbox"/>	Not OK*	<input type="checkbox"/>
*See specific page			

Date:	Miles (Km):	Invoice number:	Comments/miscellaneous
<b>Type of operation:</b>		<b>Stamp</b>	
Service	<input type="checkbox"/>		
.....	<input type="checkbox"/>		
<b>Anti-corrosion check:</b>			
OK	<input type="checkbox"/>	Not OK*	<input type="checkbox"/>
*See specific page			

# SERVICE SHEETS (3/6)

VIN: .....

Date: _____ Miles (Km): _____		Invoice number: _____		Comments/miscellaneous	
<b>Type of operation:</b>		<b>Stamp</b>			
Service <input type="checkbox"/>					
..... <input type="checkbox"/>					
<b>Anti-corrosion check:</b>					
OK <input type="checkbox"/> Not OK* <input type="checkbox"/>					
*See specific page					
Date: _____ Miles (Km): _____		Invoice number: _____		Comments/miscellaneous	
<b>Type of operation:</b>		<b>Stamp</b>			
Service <input type="checkbox"/>					
..... <input type="checkbox"/>					
<b>Anti-corrosion check:</b>					
OK <input type="checkbox"/> Not OK* <input type="checkbox"/>					
*See specific page					
Date: _____ Miles (Km): _____		Invoice number: _____		Comments/miscellaneous	
<b>Type of operation:</b>		<b>Stamp</b>			
Service <input type="checkbox"/>					
..... <input type="checkbox"/>					
<b>Anti-corrosion check:</b>					
OK <input type="checkbox"/> Not OK* <input type="checkbox"/>					
*See specific page					

# SERVICE SHEETS (4/6)

VIN: .....

Date:	Miles (Km):	Invoice number:	Comments/miscellaneous
<b>Type of operation:</b>		<b>Stamp</b>	
Service	<input type="checkbox"/>		
.....	<input type="checkbox"/>		
<b>Anti-corrosion check:</b>			
OK	<input type="checkbox"/>	Not OK*	<input type="checkbox"/>
*See specific page			

Date:	Miles (Km):	Invoice number:	Comments/miscellaneous
<b>Type of operation:</b>		<b>Stamp</b>	
Service	<input type="checkbox"/>		
.....	<input type="checkbox"/>		
<b>Anti-corrosion check:</b>			
OK	<input type="checkbox"/>	Not OK*	<input type="checkbox"/>
*See specific page			

Date:	Miles (Km):	Invoice number:	Comments/miscellaneous
<b>Type of operation:</b>		<b>Stamp</b>	
Service	<input type="checkbox"/>		
.....	<input type="checkbox"/>		
<b>Anti-corrosion check:</b>			
OK	<input type="checkbox"/>	Not OK*	<input type="checkbox"/>
*See specific page			

# SERVICE SHEETS (5/6)

VIN: .....

Date: _____ Miles (Km): _____		Invoice number: _____		Comments/miscellaneous	
<b>Type of operation:</b>		<b>Stamp</b>			
Service <input type="checkbox"/>					
..... <input type="checkbox"/>					
<b>Anti-corrosion check:</b>					
OK <input type="checkbox"/> Not OK* <input type="checkbox"/>					
*See specific page					
Date: _____ Miles (Km): _____		Invoice number: _____		Comments/miscellaneous	
<b>Type of operation:</b>		<b>Stamp</b>			
Service <input type="checkbox"/>					
..... <input type="checkbox"/>					
<b>Anti-corrosion check:</b>					
OK <input type="checkbox"/> Not OK* <input type="checkbox"/>					
*See specific page					
Date: _____ Miles (Km): _____		Invoice number: _____		Comments/miscellaneous	
<b>Type of operation:</b>		<b>Stamp</b>			
Service <input type="checkbox"/>					
..... <input type="checkbox"/>					
<b>Anti-corrosion check:</b>					
OK <input type="checkbox"/> Not OK* <input type="checkbox"/>					
*See specific page					

# SERVICE SHEETS (6/6)

VIN: .....

Date:	Miles (Km):	Invoice number:	Comments/miscellaneous
<b>Type of operation:</b> Service <input type="checkbox"/> ..... <input type="checkbox"/>		<b>Stamp</b>	
<b>Anti-corrosion check:</b> OK <input type="checkbox"/> Not OK* <input type="checkbox"/> *See specific page			

Date:	Miles (Km):	Invoice number:	Comments/miscellaneous
<b>Type of operation:</b> Service <input type="checkbox"/> ..... <input type="checkbox"/>		<b>Stamp</b>	
<b>Anti-corrosion check:</b> OK <input type="checkbox"/> Not OK* <input type="checkbox"/> *See specific page			

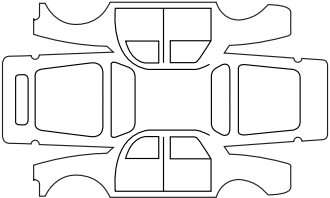
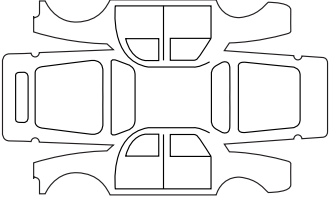
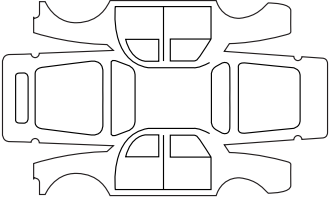
Date:	Miles (Km):	Invoice number:	Comments/miscellaneous
<b>Type of operation:</b> Service <input type="checkbox"/> ..... <input type="checkbox"/>		<b>Stamp</b>	
<b>Anti-corrosion check:</b> OK <input type="checkbox"/> Not OK* <input type="checkbox"/> *See specific page			



# ANTICORROSION CHECK (1/6)

If the continuation of the warranty is subject to repair, it is indicated below.

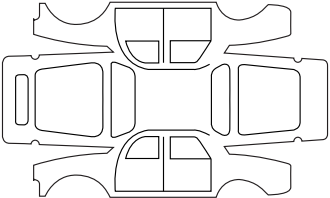
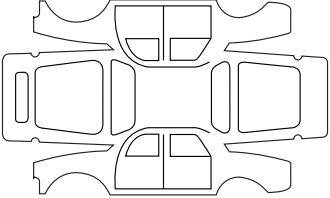
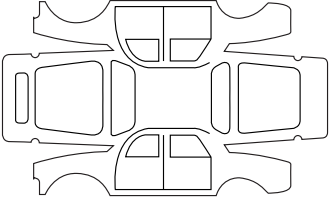
VIN: .....

Corrosion repair operation to be carried out:		<b>Stamp</b>
Date of repair:		
Repair to be carried out:		<b>Stamp</b>
Date of repair:		
Repair to be carried out:		<b>Stamp</b>
Date of repair:		

# ANTICORROSION CHECK (2/6)

If the continuation of the warranty is subject to repair, it is indicated below.

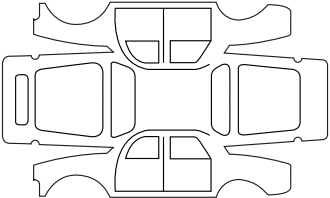
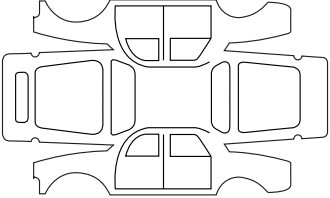
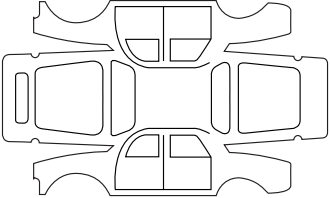
VIN: .....

Corrosion repair operation to be carried out:		<b>Stamp</b>
Date of repair:		
Repair to be carried out:		<b>Stamp</b>
Date of repair:		
Repair to be carried out:		<b>Stamp</b>
Date of repair:		

# ANTICORROSION CHECK (3/6)

If the continuation of the warranty is subject to repair, it is indicated below.

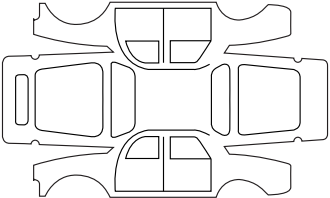
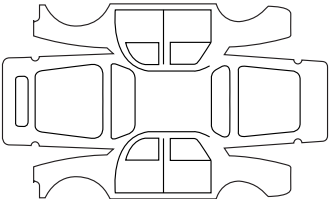
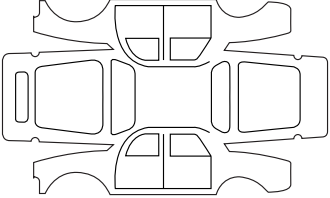
**VIN:** .....

Corrosion repair operation to be carried out:		
Corrosion repair operation to be carried out:		<b>Stamp</b>
Date of repair:		
Repair to be carried out:		
Repair to be carried out:		<b>Stamp</b>
Date of repair:		
Repair to be carried out:		
Repair to be carried out:		<b>Stamp</b>
Date of repair:		

# ANTICORROSION CHECK (4/6)

If the continuation of the warranty is subject to repair, it is indicated below.

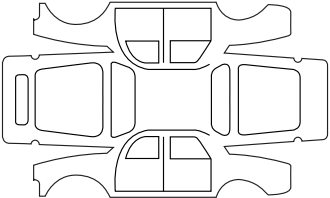
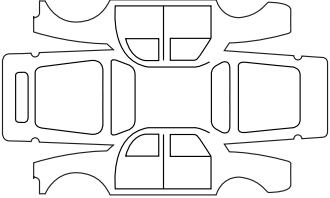
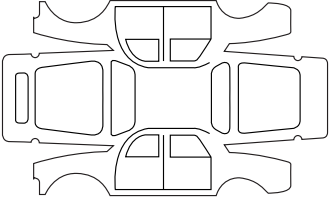
**VIN:** .....

Corrosion repair operation to be carried out:		<b>Stamp</b>
Date of repair:		
Repair to be carried out:		<b>Stamp</b>
Date of repair:		
Repair to be carried out:		<b>Stamp</b>
Date of repair:		

# ANTICORROSION CHECK (5/6)

If the continuation of the warranty is subject to repair, it is indicated below.

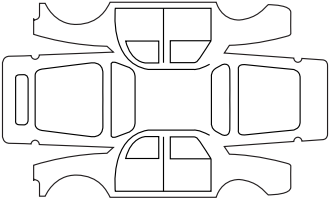
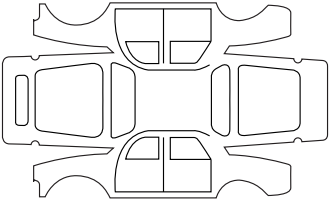
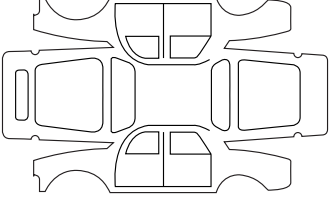
VIN: .....

Corrosion repair operation to be carried out:		<b>Stamp</b>
Date of repair:		
Repair to be carried out:		<b>Stamp</b>
Date of repair:		
Repair to be carried out:		<b>Stamp</b>
Date of repair:		

# ANTICORROSION CHECK (6/6)

If the continuation of the warranty is subject to repair, it is indicated below.

VIN: .....

Corrosion repair operation to be carried out:		
Corrosion repair operation to be carried out:		Stamp
Date of repair:		
Repair to be carried out:		
Repair to be carried out:		Stamp
Date of repair:		
Repair to be carried out:		
Repair to be carried out:		Stamp
Date of repair:		

# ALPHABETICAL INDEX (1/6)

## A

ABS	1.64, 2.40 → 2.49
accessories	5.38
accessories socket	3.34 – 3.35, 3.58
adaptive cruise control	2.71 → 2.77
additional methods of restraint	
side protection	1.37
to the rear seat belts	1.30 → 1.36
additional methods of restraint	1.30 → 1.35, 1.38
additive (reagent)	1.109 → 1.112
adjusting your driving position	1.26 → 1.29
advice on antipollution	2.27
air bag	
activating the front passenger air bags	1.56
deactivating the front passenger air bags	1.54
air bag	1.30 → 1.38, 1.67
air conditioning	3.6 → 3.20
air vents	3.4 – 3.5
anti-corrosion check	6.19 → 6.24
anti-corrosion protection	4.16
anti-lock braking system: ABS	2.40 → 2.49
antipollution	
advice	2.27
armrest:	
front	3.32
ashtray	3.34 – 3.35
assisted parking	2.78 → 2.82, 2.85 → 2.88
automatic gearbox (use)	2.89 → 2.91
automatic gearbox selector lever	2.89 → 2.91

## B

battery	
troubleshooting	5.32 – 5.33
battery	4.12 – 4.13
battery (remote control)	5.36 – 5.37, 5.37
blind spot warning signal	2.53 → 2.56

blind spot: warning signal	2.53 → 2.56
bonnet	4.2 – 4.3
brake fluid	4.10
bulbs	
changing	5.16 → 5.29, 5.28 – 5.29

## C

catalytic converter	2.14 → 2.16
central door locking	1.2 – 1.3, 1.5, 1.13 → 1.16, 1.20
changing a bulb	5.16 → 5.29, 5.28 – 5.29
changing a wheel	5.11 – 5.12
changing gear	2.17, 2.89 → 2.91
child restraint/seat	1.39 – 1.40, 1.42 → 1.53
child safety	1.6, 1.9, 1.19, 1.39 – 1.40, 1.42 → 1.53, 3.22, 3.24, 3.26
child seats	1.39 – 1.40, 1.42 → 1.53
children	1.39 – 1.40, 1.40
children (safety)	1.6, 1.9, 1.19, 3.22, 3.24, 3.26
cigar lighter	3.34 – 3.35
cleaning:	
inside the vehicle	4.19 – 4.20
clock	1.87
closing the doors	1.14 → 1.19
control instruments	1.62 → 1.75
controls	1.58 → 1.61
coolant	4.9
courtesy light	3.27 – 3.28, 5.27 – 5.28
courtesy mirrors	3.29
cruise control	1.65, 2.67 → 2.70
customised vehicle settings	1.84 – 1.85
customising the vehicle settings	1.84 – 1.85

## D

dashboard	1.58 → 1.61
deadlocking the doors	1.5, 1.13

# ALPHABETICAL INDEX (2/6)

de-icing	
rear screen.....	3.9 → 3.13
demisting	
rear screen.....	3.6 → 3.13
windscreen.....	3.6 → 3.13
deodourisation.....	3.21
dimensions.....	6.5 → 6.7
display.....	1.62 → 1.73, 1.70 → 1.73, 3.57
doors.....	1.17 → 1.20
doors/tailgate.....	1.4, 1.13
driver's position.....	1.58 → 1.67
driving.....	2.2 → 2.7, 2.14 → 2.16, 2.18 → 2.26, 2.29 → 2.49, 2.61 → 2.82, 2.89 → 2.91, 2.90
driving aids.....	2.50 → 2.60, 2.78 → 2.88
driving position	
settings.....	1.26 → 1.29
driving recommendations.....	2.22 → 2.26

## E

ECO driving.....	2.22 → 2.26
ECO mode.....	1.66, 2.24
electric beam height adjustment.....	1.90 – 1.91
electric windows.....	3.22 – 3.23
electronic parking brake.....	2.18 → 2.21
electronic stability control: ESC.....	2.40 → 2.49
emergency active braking.....	2.44
emergency brake assist.....	2.40 → 2.49
emergency braking.....	2.40 → 2.49
emergency key.....	1.6 – 1.7
emergency spare wheel.....	5.2 → 5.4
engine	
technical specifications.....	6.8 → 6.10
engine oil.....	4.4 → 4.8
engine oil capacity.....	4.5 → 4.8
engine oil level.....	4.5 → 4.8
engine specifications.....	6.8 → 6.10

engine standby.....	2.10 → 2.13
engine start/stop button.....	2.5 → 2.7
environment.....	2.28
ESC: electronic stability control.....	1.63, 2.40 → 2.49
exterior air quality.....	3.21
external temperature.....	1.87

## F

fatigue detection warning.....	2.59 – 2.60
faults	
operating faults.....	5.43 → 5.49
filling with reagent.....	1.109 → 1.112
filter	
air filter.....	4.11
diesel filter.....	4.11
oil filter.....	4.5 → 4.8, 4.11
particle filter.....	2.15
passenger compartment filter.....	4.11
fittings.....	3.30 → 3.33
freewheel.....	1.66, 2.24
front passenger air bag deactivation.....	1.54
front seat adjustment.....	1.22 → 1.24
front seats	
adjustment.....	1.22 → 1.24, 1.26
fuel	
advice on fuel economy.....	2.22 → 2.26
capacity.....	1.106
consumption.....	2.22 → 2.26
filling.....	1.63, 1.106 → 1.108
grade.....	1.106 → 1.108
fuel consumption.....	2.22 → 2.26, 3.19
fuel economy.....	2.22 → 2.26
fuel filler cap.....	1.106
fuel level.....	1.62 → 1.67, 1.69 – 1.70
fuel repriming.....	1.108



# ALPHABETICAL INDEX (3/6)

fuel tank	
capacity.....	1.106 → 1.108
fuel tank capacity.....	1.106 → 1.108
fuses.....	5.30 – 5.31

## G

gear lever.....	2.17
grab handle.....	3.32

## H

handbrake.....	2.17 → 2.21
handsfree.....	1.8 → 1.10, 3.41 – 3.42
«hands-free» card: battery.....	5.34 – 5.35, 5.35
hands-free telephone integrated control.....	3.57 – 3.58
hazard warning lights signal.....	1.57
headlight beam adjustment.....	1.90 – 1.91
headlight flashers.....	1.57
headlight washer.....	1.103
headrest.....	3.36 – 3.37
head-up display.....	1.72
heated steering wheel.....	1.25
heating and air conditioning system.....	3.6 → 3.13, 3.19
heating system.....	3.6 → 3.20
Hill Start Assist.....	2.40 → 2.49
horn.....	1.57
horn:	
flash.....	1.57
sounding the horn.....	1.57
hubcap tool.....	5.8 → 5.10

## I

ignition switch.....	2.3
indicators.....	1.57, 5.18 → 5.26
indicators:	
direction indicators.....	1.57
exterior temperature indicator.....	1.87

instrument panel.....	1.62 → 1.73, 1.70 → 1.75
instrument panel.....	1.62 → 1.73, 1.70 → 1.83
instrument panel messages.....	1.74 → 1.83
interior trim	
maintenance.....	4.19 – 4.20
Isofix.....	1.51 → 1.53

## J

jack.....	5.8 – 5.9
-----------	-----------

## K

keys.....	1.2 → 1.5
-----------	-----------

## L

lane departure warning.....	2.50 → 2.52
levels:	
brake fluid.....	4.10
coolant.....	4.9
engine oil.....	4.4
windscreen washer reservoir.....	4.11
lifting the vehicle	
changing a wheel.....	5.11 – 5.12
lights:	
exterior.....	1.7, 1.90 → 1.97
instrument panel.....	1.92
interior.....	3.27 – 3.28, 5.27 → 5.29, 5.28 – 5.29
lights	
adjustment.....	1.90 – 1.91
changing bulbs.....	5.16 – 5.17
front.....	5.16 – 5.17
lights:	
adjusting.....	1.90 – 1.91
brake lights.....	5.18 → 5.26
daytime running lights.....	1.62, 1.95
dipped beam headlights.....	1.62, 1.92, 5.16 – 5.17
direction indicators.....	1.57, 1.62, 5.16 → 5.18

## ALPHABETICAL INDEX (4/6)

fog lights .....	1.62, 1.97, 5.20
hazard warning .....	1.57
main beam headlights.....	1.92 → 1.94, 5.16 – 5.17
reversing lights.....	5.20
side lights .....	1.92, 5.16 → 5.18
lights-on warning buzzer.....	1.95
locking the doors .....	1.4, 1.6 → 1.13, 1.17 → 1.20
luggage compartment cover.....	3.45
luggage retaining net.....	3.46 – 3.47

### M

maintenance .....	2.27
maintenance:	
bodywork .....	4.16 → 4.18
interior trim.....	4.19 – 4.20
mechanical.....	4.2 – 4.3, 4.5 → 4.8, 6.13 → 6.18
map reading lights .....	3.27 – 3.28, 3.28
menu for customising the vehicle settings.....	1.84 – 1.85
methods of restraint in addition to the seat belts ...	1.36 → 1.38
multimedia (equipment).....	3.57 – 3.58
multimedia equipment .....	3.57 – 3.58
Multi-Sense.....	3.2 – 3.3

### N

navigation .....	3.57 – 3.58
navigation system.....	3.57 – 3.58

### O

oil change .....	4.4, 4.7
opening the doors.....	1.14 → 1.19
operating faults.....	1.62 → 1.67, 5.43 → 5.49
overspeed warning .....	1.68, 1.70, 2.64 → 2.66

### P

paintwork	
maintenance .....	4.16 → 4.18

parking assistance: assisted parking.....	2.78 → 2.82, 2.85 → 2.88
parking distance control.....	2.78 → 2.82, 2.85 → 2.88
power-assisted steering.....	1.86
puncture.....	5.2 → 5.9, 5.11 – 5.12

### R

radio.....	3.57 – 3.58
radio frequency remote control/key	
use .....	1.2 → 1.4
reagent (tank) .....	1.66, 1.109 → 1.112
reagent quality .....	1.109 → 1.112
reagent tank.....	1.66, 1.109 → 1.112
reagent tank cap.....	1.109 → 1.112
reagent tank capacity .....	1.66, 1.109 → 1.112
rear bench seat.....	3.38 – 3.39
rear drive wheels .....	2.40 → 2.49, 2.49
rear parcel shelf.....	3.44 – 3.45
rear screen de-icing/demisting .....	3.11, 3.16
rear seats	
functions .....	3.38 – 3.39
rear seats.....	1.28
rear view camera .....	2.83 – 2.84
rear view mirrors.....	1.88 – 1.89
remote control card: battery.....	5.34 – 5.35, 5.35
remote control door locking	
batteries .....	5.36 – 5.37, 5.37
remote control door locking unit .....	1.2 → 1.4
RENAULT ANTI-INTRUDER DEVICE (RAID).....	1.20
RENAULT card	
battery .....	5.34 – 5.35, 5.35
use .....	1.6 → 1.13
RENAULT card battery .....	5.34 – 5.35, 5.35
replacement parts.....	6.12
reverse gear	
selecting.....	2.17, 2.89 → 2.91
reversing sensor .....	2.78 → 2.82

# ALPHABETICAL INDEX (5/6)

roof bars .....	3.55 – 3.56
roof rack	
roof bars .....	3.55 – 3.56
running in .....	2.2 – 2.3

## S

safety distance warning .....	2.57 – 2.58
safety distances .....	2.57 – 2.58
SCR: selective catalytic reduction .....	1.109 → 1.112
screen	
fold-away screen .....	1.72
navigation display .....	1.69, 1.71, 3.57 – 3.58
navigation screen .....	1.69, 1.71, 3.57 – 3.58
screen wash/wipe .....	1.104 – 1.105
seat belt pretensioners .....	1.30 → 1.35
seat belts .....	1.26 → 1.35
service sheets .....	6.13 → 6.18
sign detection: overspeed warning .....	2.64 → 2.66
signals and lights .....	1.90 → 1.97
special features of diesel versions .....	2.16
special features of petrol vehicles .....	2.14 – 2.15
speed limiter .....	1.65, 2.61 → 2.63
standing start .....	2.8 – 2.9
standing start procedure .....	2.8 – 2.9
starting the engine .....	2.3 → 2.7, 2.10 → 2.13
steering wheel	
adjustment .....	1.25
Stop & Start .....	1.65, 1.86, 1.107, 2.10 → 2.13
Stop & Start function .....	2.10 → 2.13
stopping the engine .....	2.4
storage compartment .....	3.30 → 3.33
storage compartments .....	3.30 → 3.33, 3.48 → 3.52
sun blinds .....	3.29
sun visor .....	3.29
sunroof .....	3.24 → 3.26
switching on the vehicle ignition .....	2.3, 2.6

## T

tailgate .....	3.40 → 3.44, 3.48 → 3.53
tanks and reservoirs	
brake fluid .....	4.10
coolant .....	4.9
tanks and reservoirs:	
windscreen washer .....	4.11
technical specifications .....	6.5 → 6.12
telephone .....	3.57 – 3.58
temperature regulation .....	3.9 → 3.20
tool kit .....	5.8 – 5.9
towing	
breakdown .....	5.41 – 5.42
towing equipment .....	3.53 – 3.54
towing a caravan .....	3.53 – 3.54, 6.11
towing hitch .....	5.8 – 5.9, 5.41 – 5.42
towing rings .....	3.47, 3.53
towing weights .....	6.11
traction control .....	2.40 → 2.49
transporting children .....	1.39 – 1.40, 1.42 → 1.53
transporting objects	
in the luggage compartment .....	3.53
luggage net .....	3.46 – 3.47
trims .....	5.10
trip computer and warning system .....	1.62 → 1.67, 1.74 → 1.83
tyre inflation kit .....	5.5 → 5.7
tyre pressure .....	2.29 → 2.39, 4.14 – 4.15, 5.14
tyre pressure loss warning .....	2.29 → 2.39
tyre pressure monitor .....	1.66, 2.35 → 2.39
tyre pressures .....	2.29 → 2.39, 4.14 – 4.15, 4.15
tyres .....	2.26, 2.29 → 2.39, 4.14 – 4.15, 5.13 → 5.15

## U

unlocking the doors .....	1.14 → 1.16
---------------------------	-------------

## ALPHABETICAL INDEX (6/6)

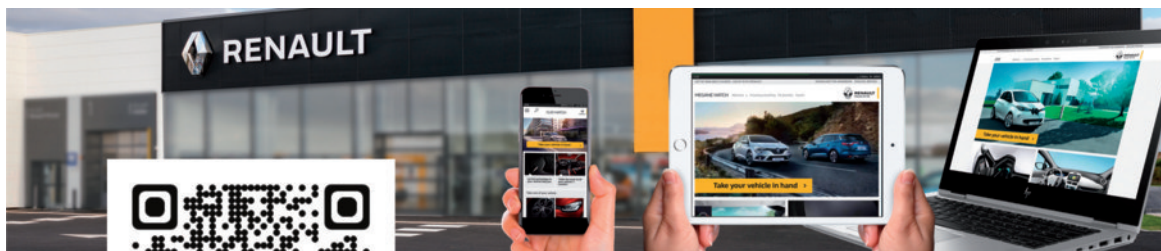
### V

vehicle identification plates.....	6.2 → 6.4
ventilation	
ventilation.....	3.4 – 3.5
ventilation .....	3.6 → 3.20

### W

warning	
tyre pressure monitoring system warning.....	2.29 → 2.39
warning buzzer .....	1.17, 1.57
warning lights.....	1.62 → 1.67, 1.74 → 1.83
washing .....	4.16 → 4.18
weights .....	6.11
wheelbrace .....	5.8 – 5.9
wheels (safety) .....	5.13 → 5.15
windscreen de-icing/demisting .....	3.11, 3.16
windscreen washer.....	1.98 → 1.103, 1.102, 4.11
windscreen washer/wiper .....	1.98 → 1.103
wiper blades .....	1.98, 1.101, 5.39 – 5.40
wipers	
blades .....	1.98, 1.101, 1.104 – 1.105, 5.39 – 5.40
wipers .....	1.98 → 1.105





RENAULT S.A.S. SOCIÉTÉ PAR ACTIONS SIMPLIFIÉE AU CAPITAL DE 533 941 113 € / 13-15, QUAI LE GALLO  
92100 BOULOGNE-BILLANCOURT R.C.S. NANTERRE 780 129 987 — SIRET 780 129 987 03591 / TÉL.: 0810 40 50 60  
NU 1163-9 – 99 91 020 82S – 11/2019 – Edition anglaise

