

# Renault KOLEOS

Vehicle user manual





**RENAULT**  
Passion for life

# Castrol, exclusive Renault partner



Benefit from cutting-edge technology born out of competition to ensure the performance and longevity of your Renault thanks to wide range of engine lubricants developed specially by Renault and Castrol.

Renault recommends Castrol

[renault.com](https://www.renault.com)

# Welcome to your new vehicle

---

**This Driver's Handbook** contains the information necessary:

- for you to familiarise yourself with your vehicle, to use it to its best advantage and to benefit fully from all the functions and the technical developments it incorporates.
- to ensure that it always gives the best performance by following the simple, but comprehensive advice concerning regular maintenance.
- to enable you to deal quickly with minor faults not requiring specialist attention.

It is well worth taking a few minutes to read this handbook to familiarise yourself with the information and guidelines it contains about the vehicle and its functions and new features. If certain points are still unclear, our Network technicians will be only too pleased to provide you with any additional information.



Visible on the vehicle, they show that you should consult the handbook to find detailed information and/or limits on operations in respect of equipment on your vehicle.



**Anywhere in the manual indicates a hazard, danger or a safety recommendation.**

The descriptions of the models given in this handbook are based on the technical specifications at the time of writing. **This handbook covers all items of equipment** (both standard and optional) **available for these models but whether or not these are fitted to the vehicle depends on the version, options selected and the country where the vehicle is sold.** **This handbook may also contain information about items of equipment to be introduced later in the model year.**

Enjoy driving your new vehicle.

Translated from English. Copying or translation, in part or in full, is forbidden unless prior written permission has been obtained from the vehicle manufacturer.



# C O N T E N T S

## Sections

**Getting to know your vehicle** .....

**1**

**Driving** .....

**2**

**Your comfort** .....

**3**

**Maintenance** .....

**4**

**Practical advice** .....

**5**

**Technical specifications** .....

**6**

**Alphabetical index** .....

**7**

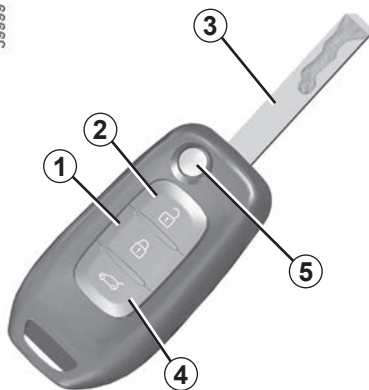


# ***Section 1: Getting to know your vehicle***

Key, radio frequency remote control: general information, use . . . . .	1.2
RENAULT card: general information, use, deadlocking . . . . .	1.5
Locking, unlocking the opening elements . . . . .	1.12
Opening and closing the doors . . . . .	1.15
Automatic locking when driving . . . . .	1.17
Headrests - Seats . . . . .	1.18
Seat belts. . . . .	1.26
Additional methods of restraint . . . . .	1.30
in addition to the front seat belts . . . . .	1.30
to the rear seat belts . . . . .	1.34
side. . . . .	1.35
Child safety: general information. . . . .	1.37
Choosing a child seat mounting. . . . .	1.40
Fitting a child seat, general information . . . . .	1.42
Child seats: attachment by seat belt or by Isofix system. . . . .	1.44
Deactivating, activating the front passenger airbag . . . . .	1.50
Clock and exterior temperature . . . . .	1.53
Driving position . . . . .	1.54
Instrument panel . . . . .	1.58
Trip computer and warning system . . . . .	1.66
Vehicle settings customisation menu . . . . .	1.76
Steering wheel, Power-assisted steering . . . . .	1.78
Rear view mirrors . . . . .	1.80
Exterior lighting and signals. . . . .	1.82
Audible and visual signals . . . . .	1.87
Headlight beam adjustment. . . . .	1.88
Washers, wipers . . . . .	1.90
Fuel tank (filling with fuel) . . . . .	1.98
Reagent tank . . . . .	1.101

## KEY, RADIO FREQUENCY REMOTE CONTROL: general information (1/2)

39999



- 1 Locks all the opening elements.
- 2 Unlocks all the opening elements.
- 3 Ignition and front door key.
- 4 Locking/unlocking the tailgate only.

### Remote control with switchblade key:

- 5 Locking/unlocking using the switchblade key. To release the insert from its housing, press button 5, it comes out automatically. Press button 5 and guide the insert back into its housing.

#### Advice

Avoid leaving the remote control in hot, cold or humid areas.

The key must not be used for any function other than those described in the handbook (removing the cap from a bottle, etc.).



#### Driver's responsibility when parking or stopping the vehicle

Never leave an animal, child or adult who is not self-sufficient alone on your vehicle, even for a short time.

They may pose a risk to themselves or to others by starting the engine, activating equipment such as the electric windows or locking the doors.

Also, in hot and/or sunny weather, please remember that the temperature inside the passenger compartment increases very quickly.

**RISK OF DEATH OR SERIOUS INJURY.**



## KEY, RADIO FREQUENCY REMOTE CONTROL: general information (2/2)

### Radio frequency remote control operating range

This varies according to the surroundings: take care not to lock or unlock the doors by inadvertently pressing the buttons on the remote control.

**Note:** If a door or the boot is open or not closed properly, the doors and boot lock/unlock in quick succession.

### Interference

Interference by factors in the immediate vicinity (external installations or the use of equipment operating on the same frequency as the remote control) may affect the operation of the remote control.

### Replacement and additional keys or remote controls.

You must only contact an approved dealer:

- If you need to replace a key it will be necessary to take the vehicle and all of its keys to an approved Dealer in order to initialise the system.
- Depending on the vehicle, you have the option of using up to four remote controls.

### Remote control unit failure

Make sure that the correct battery type is being used, and that the battery is in good condition and inserted correctly. These batteries have a service life of approximately two years.

Refer to Section 5: “Radio frequency remote control: batteries” for the battery changing procedure.

## RADIO FREQUENCY REMOTE CONTROL UNIT: use

The remote control **A** can be used to lock or unlock the doors and boot. It is powered by a battery which must be replaced (refer to the information on “Radio frequency remote control: batteries” in Section 5).

### Locking the doors

Press locking button **1**.

The side indicator lights and hazard warning lights flash **twice** to indicate that the doors have been **locked**.

If a door or the boot is open or not properly shut, they will lock and unlock in quick succession and the hazard warning lights and indicator lights will not flash.

### Unlocking the doors

Pressing button **2** unlocks the doors and tailgate.

The side indicator lights and hazard warning lights flash **once** to indicate that the doors have been **unlocked**.

39999

**A**



### Locking/unlocking only the boot

Press the button **3**.

### Note:

With the engine running, the ignition switched on and in accessories position (refer to “Ignition switch: vehicles with a key” in Section 2), the remote control buttons will be inactive.



#### Driver's responsibility when parking or stopping the vehicle

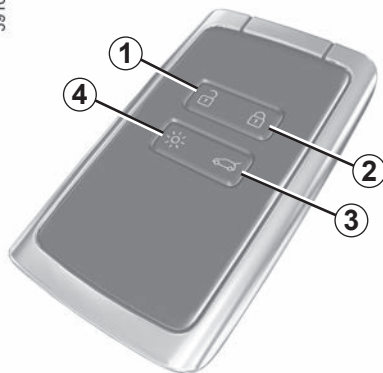
Never leave an animal, child or adult who is not self-sufficient alone on your vehicle, even for a short time.

They may pose a risk to themselves or to others by starting the engine, activating equipment such as the electric windows or locking the doors. Also, in hot and/or sunny weather, please remember that the temperature inside the passenger compartment increases very quickly.

**RISK OF DEATH OR SERIOUS INJURY.**

## RENAULT CARD: general information (1/2)

39100



- 1 Unlocking the doors and tailgate.
- 2 Locking all doors and tailgate.
- 3 Unlocking/locking the boot.
- 4 Switching on the lighting remotely or remote engine start-up depending on the vehicle.

### The RENAULT card is used for:

- locking/unlocking the doors and boot (see the following pages);
- switching on the vehicle lighting remotely (refer to the following pages);
- starting the engine; refer to the information on “Starting the engine” in Section 2.

### Battery life

Make sure that the correct battery type is being used, and that the battery is in good condition and inserted correctly. Its service life is approximately two years: replace it when the message “Keycard battery low” appears on the instrument panel (refer to the information on the “RENAULT card: battery” in section 5).

### RENAULT card operating range

This varies according to the surroundings. It is important to make sure when handling the RENAULT card that you do not lock or unlock the doors by inadvertently pressing the buttons.

When the battery is flat, you can still lock/unlock and start your vehicle. Please see the information on “Locking and unlocking the doors” in Chapter 1 and “Starting, stopping the engine” in Chapter 2.

## RENAULT CARD: general information (2/2)

39100



### Distance lighting function

Depending on the vehicle, pressing button **4** switches on the dipped beam headlights and the interior lighting for approximately 20 seconds. This can be used, for example, to identify the vehicle from a distance when parked in a car park.

**Note:** Pressing button **4** again switches off the lighting.

### Remote engine start-up

Refer to the information on the “Starting, stopping the engine: vehicle with RENAULT card” in section 2.

#### Advice

Avoid leaving the card in hot, cold or humid areas.

Do not keep the RENAULT card in a place where it could be bent or damaged accidentally, such as in a back pocket of a garment.

#### Replacement: need for an additional RENAULT Card

If you lose your RENAULT card or require another, you can obtain one from an approved dealer.

If a RENAULT card is replaced, it will be necessary to take the vehicle and **all of its RENAULT cards** to an approved dealer to initialise the system.

You may use up to four RENAULT cards per vehicle.



#### Driver's responsibility when parking or stopping the vehicle

Never leave an animal, child or adult who is not self-sufficient alone on your vehicle, even for a short time.

They may pose a risk to themselves or to others by starting the engine, activating equipment such as the electric windows or locking the doors.

Also, in hot and/or sunny weather, please remember that the temperature inside the passenger compartment increases very quickly.

**RISK OF DEATH OR SERIOUS INJURY.**

## RENAULT CARD: usage (1/4)

There are two ways to unlock/lock the vehicle:

- the “hands-free” function;
- RENAULT card buttons.



### Driver's responsibility when parking or stopping the vehicle

Never leave an animal, child or adult who is not self-sufficient alone on your vehicle, even for a short time.

They may pose a risk to themselves or to others by starting the engine, activating equipment such as the electric windows or locking the doors.

Also, in hot and/or sunny weather, please remember that the temperature inside the passenger compartment increases very quickly.

**RISK OF DEATH OR SERIOUS INJURY.**

Do not store the RENAULT card anywhere it may come into contact with other electronic equipment (computer, phone, etc.) as this could hinder its operation.



### Using the card in hands-free mode

It allows locking/unlocking without input on the card RENAULT when within the access zone **1**.

**Note:** It is possible to deactivate the hands-free system – please refer to the information on the “Vehicle settings customisation menu” in Section 1.

## RENAULT CARD: usage (2/4)

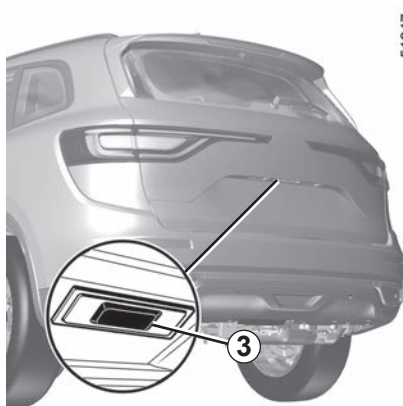


### “Hands-free” unlocking

With the RENAULT card in zone **1**, press the button **2** on the handle of one of the two front doors or the button **3** on the tailgate: the vehicle will unlock.

The hazard warning lights **flash once** to indicate that the doors have been unlocked.

**Note:** The “Hands-free” system may experience temporary difficulties if one of the sensors built into the inside of the door handle is obscured (by dirt, mud, snow, gritting salt etc.). Clean the sensors. If there is still a problem, contact an approved dealer.



### Remote “Hands-free” locking

With the RENAULT card on you, and doors and boot closed, move away from the vehicle: it will lock automatically as soon as you leave the access zone.

**Note:** The distance at which the vehicle locks depends on the surroundings.

To indicate that the doors have been locked, the hazard warning lights flash once and then light up for approximately four seconds, and a beep sounds in confirmation.

### Locking using button 2

With the doors and boot closed, press button **2** on one of the front door handles. The vehicle will lock.

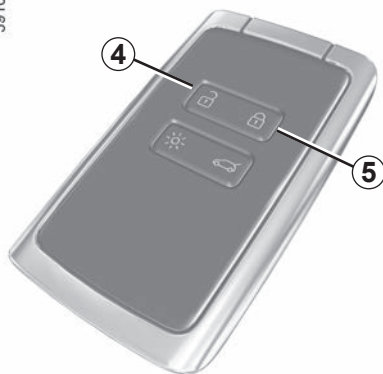
The hazard warning lights **flash twice** to indicate that the vehicle is locked.

### Special features relating to vehicle locking

- When locking, if a door is open or incorrectly closed, the vehicle will lock and unlock in quick succession without the hazard warning lights flashing;
- after locking by pressing button **2**, you have to wait approximately 3 seconds to be able to unlock the vehicle again.

## RENAULT CARD: usage (3/4)

39100



### Using the card as a remote control

#### Unlocking with the card RENAULT

Press the button **4**.

The hazard warning lights **flash once** to indicate that the doors have been unlocked.

#### Locking using the RENAULT card

With the doors and boot closed, press button **5**: the vehicle will lock.

The hazard warning lights **flash twice** to indicate that the vehicle is locked.

**NB:** The maximum distance at which the vehicle locks depends on the surroundings.

#### Special features

If the a door or the boot is open or not properly closed, the vehicle cannot be locked. The vehicle will lock/unlock in quick succession, but the hazard warning lights will not flash.



50818

If, **while the engine is running**, a door is opened and closed, and the card is no longer in the zone **6**, the message Keycard not detected indicates that the card is not inside the vehicle. This avoids you driving away after having dropped off a passenger who has the card, for example.

The warning disappears when the card is detected again.

The card buttons are deactivated when the engine is running.

## RENAULT CARD: usage (4/4)

39100



### Locking/unlocking only the boot

Press the button **7** to lock/unlock the boot only.



#### **Driver's responsibility when parking or stopping the vehicle**

Never leave an animal, child or adult who is not self-sufficient alone on your vehicle, even for a short time.

They may pose a risk to themselves or to others by starting the engine, activating equipment such as the electric windows or locking the doors.

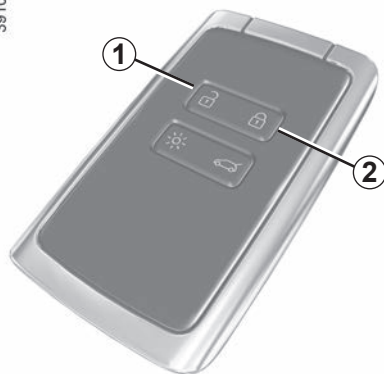
Also, in hot and/or sunny weather, please remember that the temperature inside the passenger compartment increases very quickly.

**RISK OF DEATH OR SERIOUS INJURY.**



## CARD: deadlocking

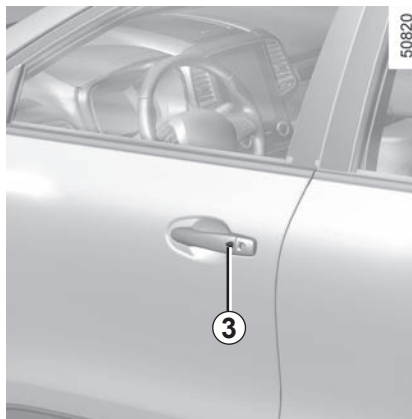
39100



If the vehicle is equipped with a deadlocking function, this allows you to lock the opening elements and to prevent the doors from being unlocked using the interior handles (for example, by breaking the window and then trying to open the door from the inside).



Never use deadlocking if someone is still inside the vehicle.



50820

### To activate deadlocking

Press button **2** twice in quick succession.

With the vehicle unlocked, you can also press the button **3** on the driver's door, passenger's door or the boot twice in quick succession (or, depending on the vehicle, on the tailgate of the rear door).

In both cases, the indicator lights and hazard warning lights **flash five times** to indicate that the doors have locked.

### Special feature

The deadlocking cannot be activated when the hazard warning lights or the side lights are lit.

### To deactivate deadlocking

Unlock the vehicle using button **1** on the card.

Unlocking is indicated by **one flash** of the hazard warning lights and the indicator lights.

## LOCKING, UNLOCKING THE DOORS (1/3)

**If the remote control or, depending on the vehicle, the RENAULT card does not work**

**In some cases**, the radio frequency remote control or the RENAULT card may not work:

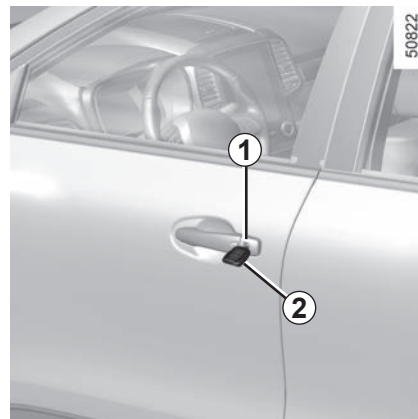
- RENAULT card/radio frequency remote control battery worn or run flat, vehicle battery flat, etc.
- use of appliances operating on the same frequency as the card (mobile phone, etc.);
- vehicle located in a high electromagnetic radiation zone.

It is then possible:

- depending on the vehicle, use the radio frequency remote control or the emergency key integrated in the card to unlock the front left-hand door;
- to lock each of the doors manually;
- to use the interior door locking/unlocking control (refer to the following pages).



Never leave your vehicle with the key or RENAULT card inside.



### Vehicles with key/remote control

#### Using the key

Insert the key **2** into the lock **1** and lock or unlock the front left-hand door.

## LOCKING, UNLOCKING THE DOORS (2/3)

40303

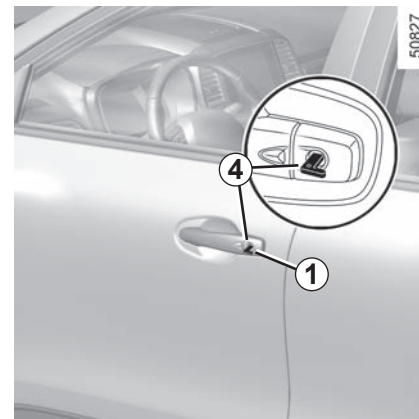


### Vehicles with RENAULT card

#### Access key 4 integrated in the card

Slide the rear casing 3 downwards while pressing on zone A.

39102



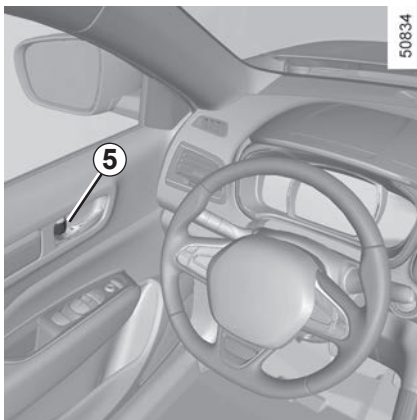
50827

### Using the integrated key

Insert the key 4 into the lock 1 and lock or unlock the front left-hand door.

Once you are inside the vehicle, put the key back in its casing in the RENAULT card.

## LOCKING, UNLOCKING THE DOORS (3/3)



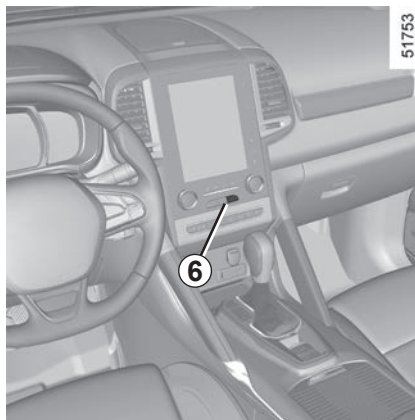
### Interior locking/unlocking door control

Depending on the vehicle, each door can be locked/unlocked by controlling knob **5** from the inside.



#### Driver's responsibility

If you decide to keep the doors locked when you are driving, remember that it may be more difficult for those assisting you to gain access to the passenger compartment in the event of an emergency.



The switch **6** controls the doors and the boot simultaneously.

If a door or the tailgate is open or not closed properly, the doors and tailgate lock/unlock quickly.

If transporting an object with the tailgate open, you can still lock the doors:

with the engine stopped, press and hold switch **6** for more than five seconds to lock the other doors.

And then close the driver's door while pulling the outside handle after getting out of the vehicle.

### Locking the opening elements without the RENAULT card or the key

For example, in the event of a discharged battery or the RENAULT card or key temporarily not working, etc.

**With the engine switched off and a door or tailgate open**, press and hold the switch **6** for more than five seconds.

When the door is closed, all the doors and the tailgate will be locked.

Unlocking the vehicle from the outside is only possible with the RENAULT card in the vehicle's access zone or using the key.

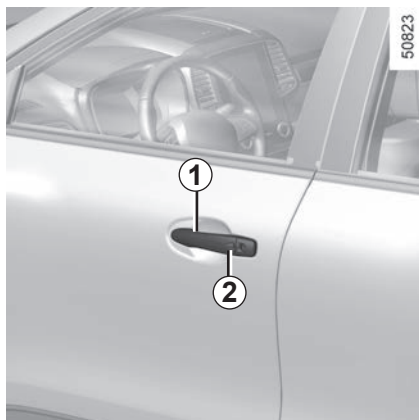
### Door and tailgate status indicator

**With the ignition on**, the warning light **6** informs you of the locking status of the opening elements:

- indicator light on, the doors and tailgate are locked;
- indicator light off, the doors and tailgate are unlocked.

When you lock the doors from the outside, the indicator light remains lit for a moment, and then goes out.

## OPENING AND CLOSING THE DOORS (1/2)



### Opening the doors from the outside

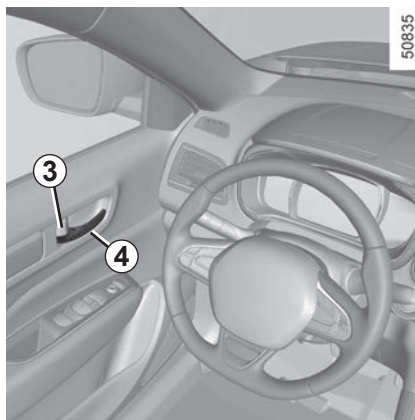
With the doors unlocked, pull handle **1**.

### Special feature on vehicles equipped with a RENAULT card

With the doors locked, press button **2** on handle **1** of one of the two front doors and pull towards you.



As a safety precaution, the doors should only be opened or closed when the vehicle is stationary.



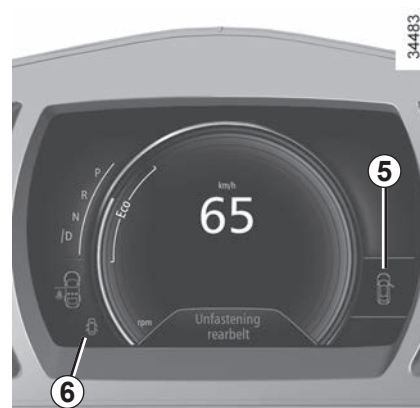
### Opening from the inside

If the vehicle is equipped with the knob **3**, pull the handle **4** with the door unlocked.

If the vehicle is not equipped with the knob **3**, pull the handle **4**.


### Lights-on reminder buzzer

If you have switched off the ignition and left the lights switched on, a reminder buzzer will sound when a door is opened and if the light stalk is not in position AUTO.



### Door/tailgate open buzzer

At a standstill, the warning light **5** lights up on the instrument panel alongside

the warning light **6**  indicating the opening elements (door, boot) are open or incorrectly closed.

Once the vehicle reaches a speed of approximately 12 mph (20 km/h), a warning light indicates the opening element(s) (door, boot) open or improperly closed, alongside the message "Boot open" or "Door open" and a beep will sound for around 40 seconds or until the opening element is closed.

## OPENING AND CLOSING THE DOORS (2/2)



### Vehicle with manual door locking

To make it impossible for the rear doors to be opened from the inside, move lever **7** on each door and check from the inside that the doors are securely locked.



### Driver's responsibility when parking or stopping the vehicle

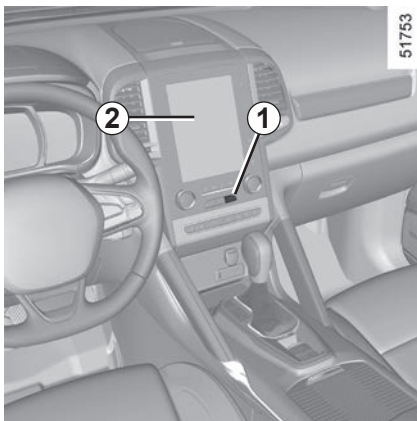
Never leave an animal, child or adult who is not self-sufficient alone on your vehicle, even for a short time.

They may pose a risk to themselves or to others by starting the engine, activating equipment such as the electric windows or locking the doors.

Also, in hot and/or sunny weather, please remember that the temperature inside the passenger compartment increases very quickly.

**RISK OF DEATH OR SERIOUS INJURY.**

# AUTOMATIC LOCKING WHEN DRIVING



## Operating principle

After the vehicle is started, the system automatically locks the doors when you are driving at approximately 6 mph (10 km/h) and over.

The door can be unlocked:

- by pressing the central door unlock switch **1**.
- at a standstill, by opening a front door from inside the vehicle.

**Note:** if a door is opened or closed, it will automatically lock again when the vehicle reaches a speed of 6 mph (10 km/h).

## Activating/deactivating the function

**To switch it on:** with the vehicle at a standstill and the engine running, press the switch **1** until a beep sounds.

**To deactivate:** with the vehicle at a standstill and the engine running, press the switch **1** until two beeps sound.

Depending on the vehicle, you can also deactivate/activate the function from the menu on the multifunction screen **2** (refer to the information on the “Vehicle settings customisation menu” section 1, “Auto door locking while driving” function).

## Operating faults

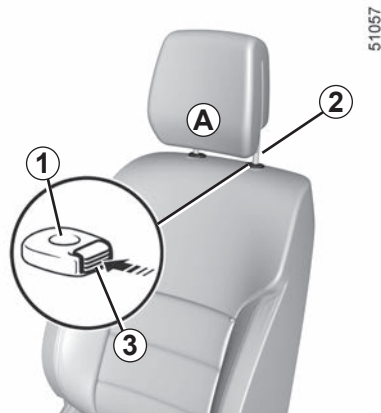
If you experience an operating fault (no automatic locking, the indicator light incorporated in switch **1** does not light up when trying to lock the doors and tailgate, etc.), make sure that locking has not been deactivated by mistake and check that the doors and tailgate are properly closed. If they are correctly locked and the fault is still present, contact an authorised dealer.



### Driver's responsibility

If you decide to keep the doors locked when you are driving, remember that it may be more difficult for those assisting you to gain access to the passenger compartment in the event of an emergency.

# FRONT HEADRESTS



## To raise the headrest

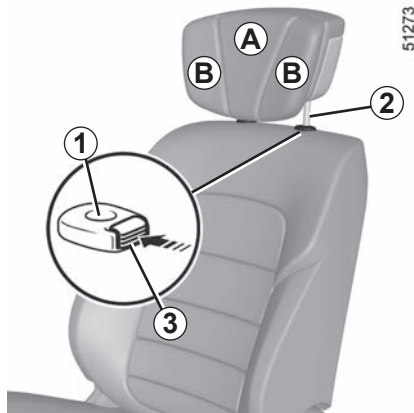
Pull the headrest upwards to the desired height. Check that it is correctly locked.

## To lower the headrest

Press button **3** and guide the headrest down to the desired height. Check that it is correctly locked in place.

## To adjust the angle of the headrest

Depending on the vehicle, move section **A** towards or away from you to the required position.



## To adjust side supports B

Depending on the vehicle, sections **B** can be adjusted independently to the desired position.

## To refit the headrest

Check that the headrest rods are clean **2**. The rod with a notch should be inserted into the slot **1** fitted with a lock-in button **3**. Insert the headrest rods into the holes (tilt the seatback backwards if necessary). Press the **3** button and push in the headrest as far as it will go, then adjust it to the desired height. Check that each rod **2** on the seatback is securely locked.



## To remove the headrest

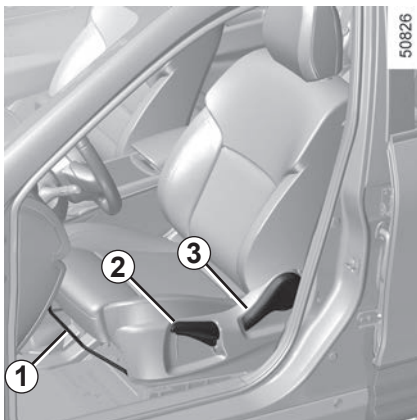
Raise the headrest to its highest position (tilt the seatback backwards if necessary). Press button **3** and lift the headrest to release it.



The headrest is important for safety. Ensure that it is in place and in the correct position: the top of the headrest should be as close as possible to the top of the head and there must be a minimal distance between the head and the headrest **A**.



## FRONT SEATS WITH MANUAL CONTROL



### To move the seat forwards or backwards

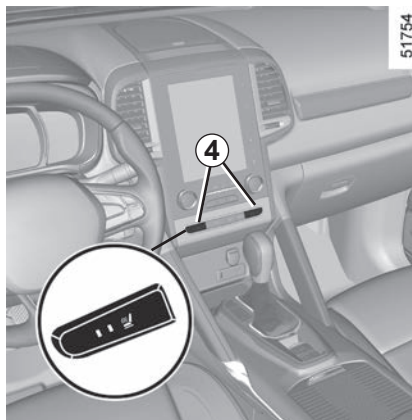
Lift handle **1** to unlock. Release the handle once the seat is in the correct position and ensure that the seat is locked.

### To raise or lower the seat base

Move lever **2** as many times as necessary upwards or downwards.

### To tilt the seatback

Lift the lever **3** and move the seatback to the desired position.



### Heated seats

With the ignition on:

- pressing the switch **4** on the required seat for the first time activates the heating system at maximum power. Both integrated switch warning lights come on;
- a second press decreases the heating to minimum power. One integrated warning light comes on;
- pressing for the third time turns the heating off.

## Operating faults

When an operating fault is detected, the integrated warning lights on the switch **4** for the seat concerned flash.

Consult an approved dealer.

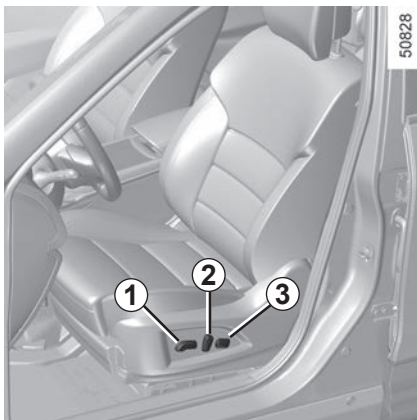


For safety reasons, carry out any adjustments when the vehicle is not being driven.

We would advise you not to recline the seatbacks too far to ensure that the effectiveness of the seat belts is not reduced.

Nothing should be placed on the floor (area in front of driver) as such objects may slide under the pedal during braking manoeuvres, thus obstructing its use.

## FRONT SEATS WITH ELECTRIC CONTROLS (1/3)



### Adjusting the seat squab:

- **To move the seat forwards or back**  
Move the switch **1** forwards or backwards.
- **To raise or lower the seat base**  
Move the switch **1** up or down.

### Adjusting the seatback:

**To tilt the seatback**, move the switch **2** forwards or backwards.

### To adjust the seat's lumbar position

Lower the handle **3** to increase the support and lift to decrease it.



For safety reasons, carry out any adjustments when the vehicle is not being driven.

Make sure that the seatbacks are correctly locked in place.

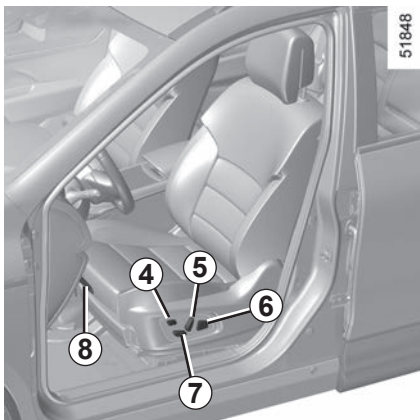
We would advise you not to recline the seatbacks too far to ensure that the effectiveness of the seat belts is not reduced.

No object should be placed on the floor (in front of the driver). such objects may slide under the pedals during sudden braking manoeuvres and obstruct their use.



Make sure that the seatbacks are correctly locked in place.

## FRONT SEATS WITH ELECTRIC CONTROLS (2/3)



On equipped vehicles, switch **4** grants access to the seats menu on the multi-function screen (please refer to the following pages).

### Adjusting the seatback

**To tilt the seatback**, move the top of switch **5** forwards or backwards.

### Adjusting the lumbar support on the driver's seat

Move the switch **6** forwards, backwards, up or down.

### Adjusting the seat position

**To move the seat forwards or backwards**

Move switch **7** forwards or backwards.

**To raise or lower the seat base**

Move the back of switch **7** up or down.

### Adjusting the seat length

Lift handle **8** to unlock. Release the handle at the desired position and make sure that it is locked.



For safety reasons, carry out any adjustments when the vehicle is not being driven.

Make sure that the seatbacks are correctly locked in place.

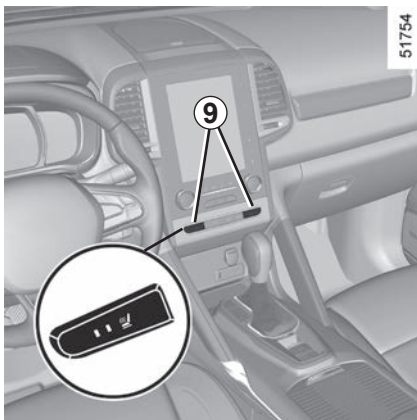
We would advise you not to recline the seatbacks too far to ensure that the effectiveness of the seat belts is not reduced.

No object should be placed on the floor (in front of the driver). such objects may slide under the pedals during sudden braking manoeuvres and obstruct their use.



Make sure that the seatbacks are correctly locked in place.

## FRONT SEATS WITH ELECTRIC CONTROLS (3/3)



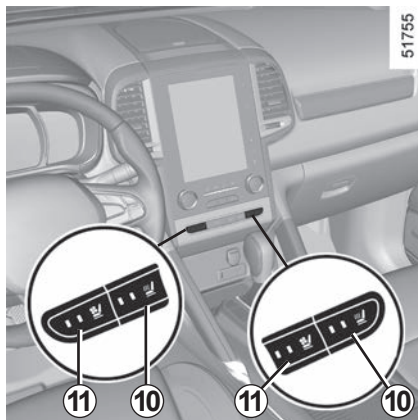
### Heated seats

With the ignition on,

- depending on the vehicle pressing the switch **9** or **10** on the required seat for the first time activates the heating system at maximum power.

Both integrated switch warning lights come on;

- a second press decreases the heating to minimum power. One integrated warning light comes on;
- pressing for the third time turns the heating off.



### Ventilated seats

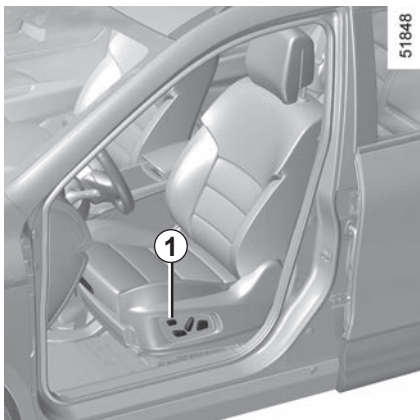
Ventilation seats work on the principle of absorbing and exporting the air in the passenger compartment without using the vehicle's air conditioning and heating functions. For the best performance, you are advised to use this function with air conditioning switched on.

With the ignition on:

- pressing the switch **11** on the required seat for the first time activates the ventilation system at maximum power. Both integrated switch warning lights come on;
- a second press decreases the ventilation to minimum power. One integrated warning light comes on;
- a third press switches off ventilation.

**Note:** if you switch off the engine and restart it, the ventilation or heating function will be off.

## FRONT SEATS: functions (1/3)



Using the multifunction screen, depending on the vehicle you can access a number of seat functions.

On equipped vehicles, switch **1** grants direct access to the seat menu on the multifunction screen.

Please refer to the multimedia equipment instructions for further information.



### Message

You can activate the driver seat massage function.

Using the multifunction screen, select menu "Vehicle", "Seats" then "Message".

Browse menu to:

- select the type of massage (Tonic, Relaxing or Lumbar);
- adjust the intensity (+ or -);
- adjust the speed (+ or -);
- reset the selected settings. Press **2** then "Reset";
- activate/deactivate the massage seat (ON or OFF).

**Note:** the mode selected in the "Multi-Sense" menu may affect the massage configuration (please refer to the information in "Multi-Sense" in Section 3).

## FRONT SEATS: functions (2/3)



### Settings

Using the multifunction screen, select menu “vehicle”, “Seats” then “Settings”.

You can activate or deactivate the following elements:

- easy driver access;
- visual feedback of current movement.

### Easy driver access

Press ON or OFF to activate or deactivate this function.

When this function is activated, the seat automatically moves back when the driver leaves the vehicle, and returns to its position when the start button is pressed.

## FRONT SEATS: functions (3/3)

### Position

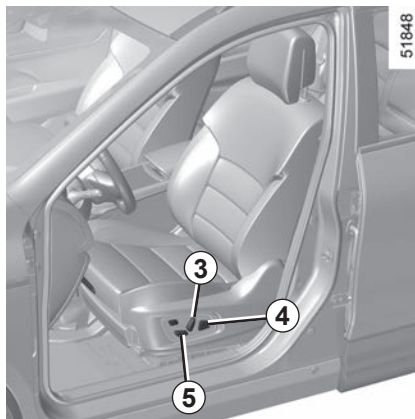
It is possible to store six profiles from the multifunction screen (refer to the multimedia equipment instructions).

Each profile includes the driving position of the driver seat.

A driving position includes the settings for the driver's seat base and seatback and, depending on the vehicle, the door mirrors.

The driving position can be stored and recalled by pressing the buttons:

- RENAULT hands-free card detected;
- when the driver's door is opened.



### Storing your driving position

- Adjust the seat using switches **3**, **4** and **5** (refer to previous page);
- adjust the door mirrors;
- from the multifunction screen, select menu “Vehicle”, “Seats”, “Settings” then “Vehicle”, “Seats”, “Settings” then “Position” and select “Save”.

The positions of the door mirrors when driving forwards, in reverse and of the driver seat are saved.



For safety reasons, carry out any adjustments when the vehicle is stationary.



### Recalling the driving position

**With the vehicle at a standstill**, using the multifunction screen, select menu “Vehicle”, “Seats”, “Settings” then “Position”, select “Recall” and confirm.

**Note:** recall of the saved driving position is interrupted if one of the seat adjustment buttons is pressed during recall.

**When driving**, it is not possible to recall a driving position.

## SEAT BELTS (1/4)

Always wear your seat belt when travelling in your vehicle. You must also comply with the legislation of the particular country you are in.



Incorrectly adjusted or twisted seat belts may cause injuries in the event of an accident.

Use one seat belt per person, whether child or adult.

Even pregnant women should wear a seat belt. In this case, ensure that the lap belt is not exerting too much pressure on the abdomen, but do not allow any slack.

**Before starting, first adjust your driving position, then ask all occupants to adjust their seat belts to ensure optimum protection.**

### Adjusting your driving position

- **Sit well back in your seat** (having first removed your coat or jacket). This is essential to ensure your back is positioned correctly;
- **adjust the distance between the seat and the pedals.** Your seat should be as far back as possible while still allowing you to depress the clutch pedal fully. The seatback should be adjusted so that your arms are slightly bent when you hold the steering wheel;
- **adjust the position of your headrest.** For the maximum safety, your head must be as close as possible to the headrest;
- **adjust the height of the seat.** This adjustment allows you to select the seat position which offers you the best possible view;
- **adjust the position of the steering wheel.**



### Adjusting the seat belts

Sit with your back firmly against the seatback.

Shoulder strap **1** should be as close as possible to the base of the neck but not on it.

Lap belt **2** should be worn flat over the thighs and against the pelvis.

The belt should be worn so that it is as close as possible to your body, i.e.: avoid wearing heavy clothing or keeping bulky objects under the belts, etc.



## SEAT BELTS (2/4)



### Locking

Unwind the belt **slowly and smoothly** and ensure that buckle **3** locks into catch **5** (check that it is locked by pulling on buckle **3**).

If the belt jams, allow it to return slightly before attempting to unwind it again.

If your seat belt is completely jammed, pull slowly, but firmly, so that just over 3 cm unwinds. Allow it to return slightly before attempting to unwind it again.


If there is still a problem, contact an approved dealer.

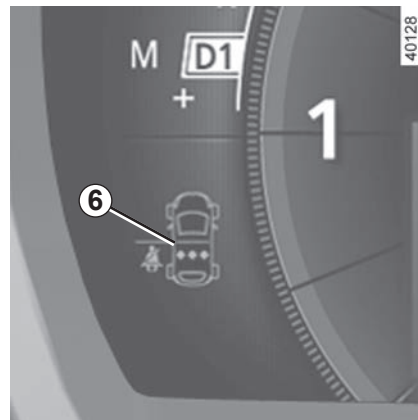
### Driver's seat belt reminder and, depending on the vehicle, front passenger seat belt reminder

This lights up on the central display when starting the engine then, if the driver's or front passenger's seat belt (if this seat is occupied) is not fastened and the vehicle has reached approximately 12 mph (20 km/h), it flashes and a bleep sounds for around 120 seconds.

**Note:** an object placed on the passenger seat base may activate the warning light in some cases.

### Rear seat belt reminder (depending on vehicle)

Warning light  lights up on the central display, accompanied by the graphic **6** on the instrument panel for approximately 30 seconds each time the vehicle is started, a door is opened or a rear seat belt is fastened or unfastened.



Check that the rear passengers are wearing seat belts and that the number of seat belts shown as fastened corresponds to the number of rear seat places occupied.

On the graphic **6**:

- marker in green: seat belt fastened;
- marker in red: seat belt unfastened.

### Unfastening

Press button **4** and the seat belt will be rewound by the inertia reel. Guide the belt.

## SEAT BELTS (3/4)



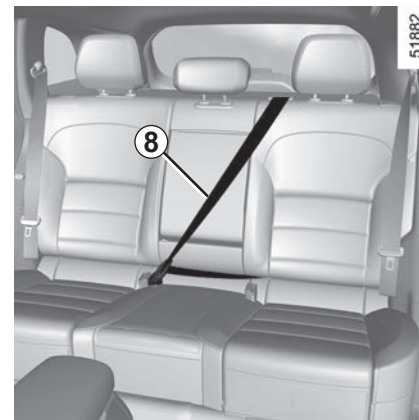
### Adjusting the height of the front seat belts

Use button **7** to adjust the seat belt height so that the shoulder strap is worn as shown previously. Press the button **7** and raise or lower the seat belt. Make sure that the seat belt is locked in position correctly after you have adjusted it.



### Rear seat belts **8**

The belts are locked, unlocked and adjusted in the same way as the front belts.



Check that the rear seat belts are positioned and operating correctly each time the rear bench seat is moved.

## SEAT BELTS (4/4)

The following information applies to the vehicle's front and rear seat belts.



- No modification may be made to the component parts of the originally fitted restraint system: seat belts, seats and their mountings. For special operations (e.g. fitting child seats), contact an authorised dealer.
- Do not use devices which allow any slack in the belts (e.g. clothes pegs, clips, etc.): a seat belt which is worn too loosely may cause injury in the event of an accident.
- Never wear the shoulder strap under your arm or behind your back.
- Never use the same belt for more than one person and never hold a baby or child on your lap with your seat belt around them.
- The belt should never be twisted.
- Following an accident, have the seat belts checked and replaced if necessary. Always replace your seat belts as soon as they show any signs of wear.
- Make sure that the buckle is inserted into the appropriate catch.
- Ensure that no objects are placed in the area around the seat belt catch as they could prevent it from being properly secured.
- Make sure the seat belt catch is properly positioned (it should not be hidden away, crushed or flattened by people or objects).
- When the rear seats are being put back, make sure that the seat belts and buckles are correctly positioned so that they can be used properly.

## METHODS OF RESTRAINT IN ADDITION TO THE FRONT SEAT BELTS (1/4)

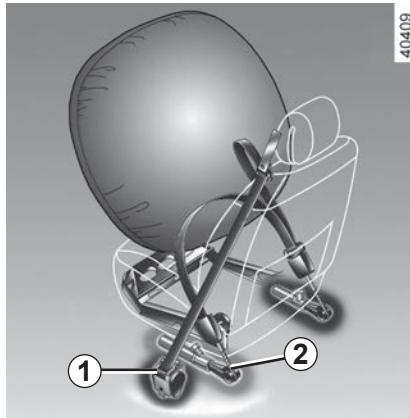
Depending on the vehicle, they are composed of:

- seat belt inertia reel pretensioners;
- driver and passenger's lap belt pretensioners;
- chest-level load limiter;
- air bags for driver and front passenger.

These systems are designed to act independently or together when the vehicle is subjected to a frontal impact.

Depending on the severity of the impact, the system can trigger:

- seat belt locking;
- the seat belt inertia reel pretensioner (which engages to correct seat belt slack);
- the lap belt pretensioners to hold the occupant in his seat;
- the front airbag.



### Pretensioners

The pretensioners hold the seat belt against the body, holding the occupant more securely against the seat, thus increasing the seat belt's efficiency.

In the event of a severe frontal impact and if the ignition is switched on, the system may engage the following depending on the force of the impact:

- seat belt inertia reel pretensioner **1** which instantly retracts the seat belt;
- the lap belt pretensioner **2** for the driver and passenger.



– Have the entire restraint system checked following an accident.

– No operation whatsoever is permitted on any part of the system (pretensioners, air bags, computers, wiring) and the system components must not be reused on any other vehicle, even if identical.

– To avoid incorrect triggering of the system which may cause injury, only qualified personnel from an approved dealer may work on the pretensioner and air bag system.

– The electric trigger system may only be tested by a specially trained technician using special equipment.

– When the vehicle is scrapped, contact an approved dealer for disposal of the pretensioner and air bag gas generators.

## METHODS OF RESTRAINT IN ADDITION TO THE FRONT SEAT BELTS (2/4)

### Load limiter


Above a certain severity of impact, this mechanism is used to limit the force of the belt against the body so that it is at an acceptable level.

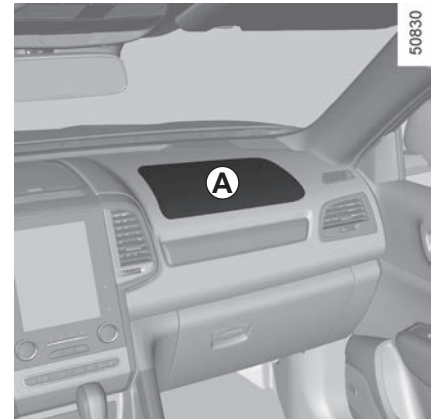
### Front airbags for driver and passenger

Fitted to the driver and passenger side.

The presence of this equipment is indicated by the word “Air bag” on the steering wheel and dashboard (air bag zone **A**) and, depending on the vehicle, a symbol on the lower section of the windscreen.

Each air bag system consists of:

- an air bag and gas generator fitted on the steering wheel for the driver and in the dashboard for the front passenger;
- an electronic unit for system monitoring which controls the gas generator electrical trigger system;
- a single  warning light on the instrument panel.



The air bag system uses pyrotechnic principles. This explains why, when the air bag inflates, it will generate heat, produce smoke (this does not mean that a fire is about to start) and make a noise upon detonation. In a situation where an air bag is required, it will inflate immediately and this may cause some minor, superficial grazing to the skin or other problems.

## METHODS OF RESTRAINT IN ADDITION TO THE FRONT SEAT BELTS (3/4)



### Operation

This system is only operational when the ignition is switched on.

In a severe **frontal** impact, the air bags inflate rapidly, cushioning the impact of the driver's head and chest against the steering wheel and of the front passenger against the dashboard. The air bags then deflate immediately so that the passengers are not in any way hindered from leaving the vehicle.

### Operating faults

This warning light  will light up on the instrument panel when the ignition is switched on and then go out after a few seconds.

If it does not light up when the ignition is switched on, or comes on when the engine is running, there is a fault in the system.

Contact your approved Dealer as soon as possible. Your protection will be reduced until this fault is rectified.

## METHODS OF RESTRAINT IN ADDITION TO THE FRONT SEAT BELTS (4/4)

All of the warnings below are given so that the air bag is not obstructed in any way when it is inflated and also to prevent the risk of serious injuries caused by items which may be dislodged when the air bag inflates.



### **Warnings concerning the driver's air bag**

- Do not modify the steering wheel or the steering wheel boss.
- Do not cover the steering wheel boss under any circumstances.
- Do not attach any objects (badge, logo, clock, telephone holder, etc.) to the steering wheel boss.
- The steering wheel must not be removed (except by qualified personnel from our Network).
- When driving, do not sit too close to the steering wheel. Sit with your arms slightly bent (see the information on “Adjusting your driving position” in Section 1). This will allow sufficient space for the air bag to deploy correctly and be fully effective.

### **Warnings concerning the passenger air bag**

- Do not attach or glue any objects (badge, logo, clock, telephone holder, etc.) to the dashboard on or near the air bag.
- Do not place anything between the dashboard and the passenger (pet, umbrella, walking stick, parcels, etc.).
- The passenger must not put his or her feet on the dashboard or seat as there is a risk that serious injuries may occur. In general, parts of the body should be kept away from the dashboard (knees, hands, head, etc.).
- The devices in addition to the front passenger seat belt should be reactivated as soon as a child seat is removed, to ensure the protection of the passenger in the event of an impact.

**A REAR-FACING CHILD SEAT MUST NOT BE FITTED TO THE FRONT PASSENGER SEAT UNLESS THE ADDITIONAL RESTRAINT SYSTEMS, I.E. THE PASSENGER AIR BAG, ARE DEACTIVATED.**

(refer to the information on “Child safety: deactivating/activating the front passenger air bag” in Section 1)

# METHODS OF RESTRAINT IN ADDITION TO THE REAR SIDE SEAT BELTS

## Force limiter

Above a certain severity of impact, this mechanism is used to limit the force of the belt against the body so that it is at an acceptable level.



- Have the entire restraint system checked following an accident.
- No operation whatsoever is permitted on any part of the system (air bags, electronic control units, wiring) and the system components must not be reused on any other vehicle, even if identical.
- Only qualified personnel from our Network may work on the air bags; otherwise the system may trigger accidentally and cause injury.



# SIDE PROTECTION DEVICES

## Side Airbags

An airbag can be fitted to each front seat, which are deployed on the side of the seat (door side) to protect the occupants in the case of a severe side impact.

## Curtain Airbags

These are airbag fitted along the sides of the vehicle in the ceiling which trigger along the front and rear door side windows to protect the passengers in case of a severe side impact.

Depending on the vehicle, a marking on the windscreen informs you of the presence of additional means of restraint (air bags, pretensioners, etc.) in the passenger compartment.



### Warning relating to the side airbag

- **Fitting seat covers:** seats equipped with an airbag require covers specifically designed for your vehicle. Contact an approved Dealer to find out if these covers are available. The use of any covers other than those designed for your vehicle (and including those designed for another vehicle) may affect the operation of the airbags and reduce your protection.
- Do not place any accessories, objects or even pets between the seatback, the door and the internal fittings. Do not cover the seatback with any items such as clothes or accessories. This may prevent the air bag from operating correctly or cause injury when the airbag is deployed.
- No work or modification whatsoever may be carried out on the seat or internal fittings, except by qualified personnel from an approved Dealer.

## ADDITIONAL METHODS OF RESTRAINT

All of the warnings below are given so that the airbag is not obstructed in any way when it is inflated and also to prevent the risk of serious injuries caused by items which may be dislodged when it inflates.



The airbag is designed to complement the action of the seat belt. Both the air bags and seat belts are integral parts of the same protection system. It is therefore essential to wear seat belts at all times. If seat belts are not worn, the occupants are exposed to the risk of serious injury in the event of an accident. It may also increase the risk of minor superficial injuries occurring when the airbag is deployed, although such minor injuries are always possible with air bags.

If the vehicle should overturn or in the event of a rear impact, however severe, the pretensioners and airbags are not always triggered. Impacts to the underside of the vehicle, e.g. from pavements, potholes or stones, can all trigger these systems.

- No work or modification **whatsoever** may be carried out on any part of the airbag system (airbags, pretensioners, computer, wiring harness, etc.), except by qualified Network personnel.
- To ensure that the system is in good working order and to avoid accidental triggering of the system which may cause injury, only qualified Network personnel may work on the airbag system.
- As a safety precaution, have the airbag system checked if your vehicle has been involved in an accident, or is stolen or broken into.
- When selling or lending the vehicle, inform the user of these points and hand over this handbook with the vehicle.
- When scrapping your vehicle, contact your approved Dealer for disposal of the gas generator(s).

## Operating faults



This warning light comes on when the engine is started and then goes out after approximately three seconds.

If it does not come on when the ignition is switched on or if it stays on, there is a fault in the system.

Contact your approved Dealer as soon as possible.

Your protection will be reduced until this fault is rectified.

## CHILD SAFETY: General information (1/2)

### Carrying children

Please ensure that you comply with the legislation of your country.

Children, and adults, must be correctly seated and strapped in for all journeys. The children being carried in your vehicle are your responsibility.

A child is not a miniature adult. Children are at risk of specific injuries as their muscles and bones have not yet finished growing. The seat belt alone would not provide suitable protection. Use an approved child seat and ensure you use it correctly.

Please ensure that you comply with the legislation of your country.



To prevent the doors being opened, use the “Child safety” device (refer to the information on “Opening and closing the doors” in Section 1).



A collision at 30 mph (50 km/h) is the same as falling a distance of 10 metres.

Transporting a child without a restraint is the equivalent of allowing him or her to play on a fourth-floor balcony without railings.

Never travel with a child held in your arms. In the event of an accident, you will not be able to keep hold of the child, even if you yourself are wearing a seat belt.

If your vehicle has been involved in a road accident, replace the child seat and have the seat belts and ISOFIX anchorage points checked.



### Driver's responsibility when parking or stopping the vehicle

Never leave an animal, child or adult who is not self-sufficient alone on your vehicle, even for a short time.

They may pose a risk to themselves or to others by starting the engine, activating equipment such as the electric windows or by locking the doors.

Also, in hot and/or sunny weather, please remember that the temperature inside the passenger compartment increases very quickly.

### **RISK OF DEATH OR SERIOUS INJURY.**

## CHILD SAFETY: General information (2/2)

### Using a child seat

The level of protection offered by the child seat depends on its ability to restrain your child and on its installation. Incorrect installation compromises the protection it offers the child in the event of harsh braking or an impact.

Before purchasing a child seat, check that it complies with the regulations for the country you are in and that it can be fitted in your vehicle. Consult an approved dealer to find out which seats are recommended for your vehicle.

Before fitting a child seat, read the manual and respect its instructions. If you experience any difficulties during installation, contact the manufacturer of the equipment. Keep the instructions with the seat.

Set a good example by always fastening your seat belt and teaching your child:

- to strap themselves in correctly;
- to always get in and out of the car at the kerb, away from busy traffic.

Do not use a second-hand child seat or one without an instruction manual.

Check that there are no objects in the vicinity of the child seat which could impede its operation.



Never leave a child unattended in the vehicle.

Check that your child is always strapped in and that the belt or safety harness used is correctly set and adjusted. Avoid wearing bulky clothing which could cause the belts to slacken.

Never let your child put their head or arms out of the window.

Check that the child is in the correct position for the entire journey, especially if asleep.

## CHILD SAFETY: choosing a child seat



31235

### Rear-facing child seats

A baby's head is, proportionally, heavier than that of an adult and its neck is very fragile. Transport the child in this position for as long as possible (until the age of 2 at the very least). It supports both the head and the neck.

Choose a bucket type seat for best side protection and change it as soon as the child's head is higher than the shell.



38824

### Forward-facing child seats

The child's head and abdomen need to be protected as a priority. A forward-facing child seat which is firmly attached to the vehicle will reduce the risk of impact to the head. Ensure your child travels in a forward-facing seat with a harness for as long as their size permits.

Choose a bucket type seat for optimum side protection.



31234

### Booster cushions

From 15 kg or 4 years, the child can travel using a booster seat, which will enable the seat belt to be adapted to suit his/her size and shape. The booster seat cushion must be fitted with guides to position the seat belt on the child's thighs rather than the stomach. It is recommended that you use a seat-back fitted with a belt strap guide which can be adjusted in terms of height to position the seat belt in the centre of the shoulder. It must never rest on the neck or on the arm.

Choose a bucket type seat for optimum side protection.

## CHILD SAFETY: choosing a child seat mounting (1/2)

There are two ways of attaching child seats: via the seat belt or using the ISOFIX system.

### Attachment via the seat belt

The seat belt must be adjusted to ensure that it is effective in the event of harsh braking or an impact.

Ensure that the strap paths indicated by the child seat manufacturer are respected.

Always check that the seat belt is correctly fastened by pulling it up, then pulling it out fully whilst pressing on the child seat.

Check that the seat is correctly held by moving it from side to side and back to front: the seat should remain firmly fixed.

Check that the child seat has not been installed at an angle and that it is not resting against a window.



Do not use the child seat if it may unfasten the seat belt restraining it: the base of the seat must not rest on the buckle and/or catch of the seat belt.



Before using an ISOFIX child seat that you purchased for another vehicle, check that its installation is authorised. Consult the list of vehicles which can be fitted with the seat from the equipment manufacturer.



The seat belt must never be twisted or the tension relieved. Never pass the shoulder strap under the arm or behind the back.

Check that the seat belt has not been damaged by sharp edges.

If the seat belt does not operate normally, it will not protect the child. Consult an approved dealer. Do not use this seat until the seat belt has been repaired.

### Attachment using the ISOFIX system

Authorised child seats ISOFIX are standardised in accordance with current regulations. If any of the five cases below applies:

- ISOFIX universal 3-point forward-facing seat;
- ISOFIX semi-universal 2-point seat;
- Specific;

i-Size which has:

- either a belt which attaches to the third ring of the seat concerned;
- or a support leg that rests on the vehicle floor, compatible with the approved seat i-Size, the role of which is to prevent the child seat from moving in the event of a collision.

In the latter three cases check that your child seat can be installed by consulting the list of compatible vehicles.

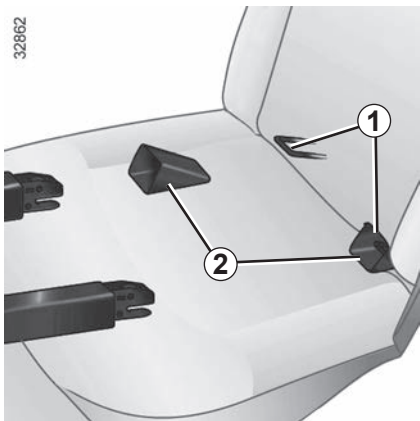
Attach the child seat with the ISOFIX locks, if these are provided. The ISOFIX system allows quick, easy, safe fitting.

The ISOFIX system consists of 2 rings and, in some cases, a third ring.



No modifications may be made to the component parts of the restraint system (ISOFIX seat belts, seats and their mountings) originally fitted.

## CHILD SAFETY: choosing a child seat mounting (2/2)



### Attachment using the ISOFIX system (continued)

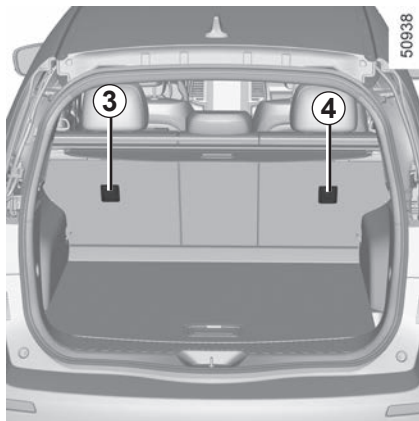
The two rings **1** are located between the seatback and the seat base of the seat and are identified by a marking.

To ensure your child seat can be easily fitted and locked on the rings **1**, use access guides **2** on the child seat.

To access the rings, insert your finger in the cover and pull.

Depending on the vehicle, you can find the rings **1** when its cover is opened.

**Note:** Keep the covers you have removed in a storage compartment so as not to lose or damage them.




The third ring **3** or **4** is used to attach the upper strap on some seats ISOFIX.



The child seat strap **must** be attached to the corresponding ring.

Do not use any other mounting point.

The rings are located on the rear seatbacks and indicated by the symbol .

In all cases, attach the strap hook to the corresponding ring **3** and **4** and place the seat in the desired position.

Pull the belt so that the back of the child seat comes into contact with the back of the vehicle seat.



The ISOFIX anchorage points have been exclusively designed for child seats with the ISOFIX system. Never fit a different type of child seat, seat belt or other objects to these anchorage points. Check that nothing is obstructing the anchorage points.

If your vehicle has been involved in a road accident, have the ISOFIX anchorage points checked and replace your child seat.

## CHILD SAFETY: fitting a child seat, general information (1/2)

Some seats are not suitable for fitting child seats. The diagram on the following page shows you how to attach a child seat.

The types of child seats indicated may not be available. Before using a different child seat, check with the manufacturer that it can be fitted.



Fit the child seat in a rear seat wherever possible.

Check that when installing the child seat in the vehicle it is not at risk of coming loose from its base.

If you have to remove the headrest, check that it is correctly stored so that it does not come loose under harsh braking or impact.

Always attach the child seat to the vehicle even if it is not in use so that it does not come loose under harsh braking or impact.

### In the front seat

The laws concerning children travelling in the front passenger seat differ in every country. Consult the legislation in force and follow the indications on the diagram on the following page.

Before fitting a child seat in this seat (if authorised):

- lower the seat belt as far as possible;
- move the seat as far back as possible;
- gently tilt the seatback away from vertical (approximately 25°);
- on equipped vehicles, raise the seat base as far as possible.

In all situations, reinsert the headrest to its full extent so that it does not interfere with the child seat (see the information on “Front headrests” in Section 1);

After installing the child seat, when this is possible, you can move the vehicle seat forward if necessary (so as to leave enough space in the rear seats for passengers or other child seats). In case of a rear-facing child seat, do not let it touch the dashboard or move it to the furthest forward position.

Do not change other settings after installing the child seat.



### **RISK OF DEATH OR SERIOUS INJURY:**

before fitting a rear-facing child seat to this seat, check that the air bag has been deactivated (refer to the information on “Child safety: deactivating/activating the front passenger air bag” in Section 1).



## CHILD SAFETY: fitting a child seat, general information (2/2)

### In the rear side seat

A carrycot can be installed across the vehicle and will take up at least two seats.

Position the child with their feet nearest the door.

Move the front seat as far forward as possible to install a rear-facing child seat, then move back the seat in front as far as it will go, although without allowing it to come into contact with the child seat.

For the safety of a child facing forwards, move the seat in front of the child as far forward as possible, remembering to move the seatback forwards to avoid contact between the seat and the child's legs.

In all situations, remove the rear headrests (refer to the information on the "Rear headrests" in Section 3). If necessary, position the rear seat as far as back possible. This must be done before fitting the child seat.

Check that the forward-facing child seat is resting against the back of the vehicle seat.



Fit the child seat in a rear seat wherever possible.



A child seat with support struts must never be installed on the rear center seat.

**RISK OF DEATH OR SERIOUS INJURY.**

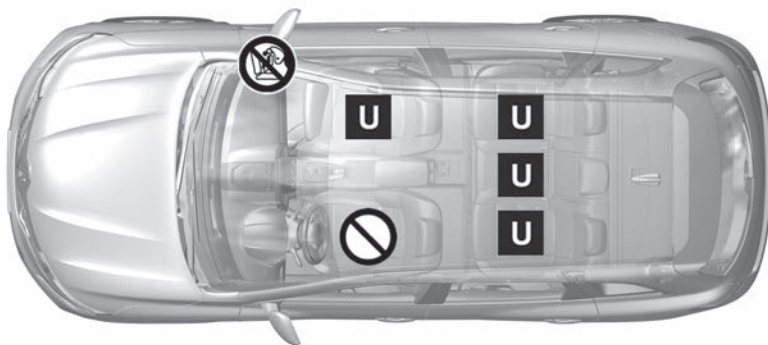


Ensure that the child seat or the child's feet do not prevent the front seat from locking correctly. Refer to the information on the "Front seat" in Section 1.



When fitting a child seat (Group 2 or 3 booster seat), check that the seat belts operate (wind) correctly: refer to Section 1 "Rear seat belts". If necessary, adjust the position of the vehicle seat.

## CHILD SEATS: attachment by seat belt (1/3)



51265



Check the status of the airbag before fitting a child seat or allowing a passenger to use the seat.



Seat not suitable for fitting child seats.



Seat which allows a child seat with "Universal" approval to be attached by a seat belt.



### **RISK OF DEATH OR SERIOUS INJURY:**

Before installing a rear-facing child seat in the front passenger seat, make sure that the airbag has been deactivated (please refer to "Child safety: front passenger airbag deactivation and activation" in Section 1).



Using a child safety system which is not approved for this vehicle will not correctly protect the baby or child.

They risk serious or even fatal injury.

## CHILD SEATS: attachment by seat belt (2/3)

The table below summarises the information already shown on the diagram on the previous page, to ensure the applicable regulations are respected.

Type of child seat	Weight of the child	Front passenger seat (1) (2)		Rear side seats	Rear centre seat
		Without airbag or with airbag deactivated	With airbag activated		
<b>Carrycot fitted across the vehicle</b> Group 0	< 10 kg	X	X	U (3)	X
<b>Rear-facing shell seat</b> Groups 0 or 0 +	< 10 kg and < 13 kg	U	X	U (4)	U (6)
<b>Shell seat/rear-facing seat</b> Groups 0+ and 1	< 13 kg and 9 to 18 kg	U	X	U (4)	U (6)
<b>Forward-facing seat</b> Group 1	9 to 18 kg	U	X	U (4) (5)	U (6)
<b>Booster seat</b> Groups 2 and 3	15 to 25 kg and 22 to 36 kg	U	U	U (4) (5)	U



**(1) RISK OF DEATH OR SERIOUS INJURY:** Before installing a child seat on the front passenger seat, check that the airbag has been deactivated (please refer to “Child safety: front passenger airbag deactivation and activation” in Section 1).

## CHILD SEATS: attachment by seat belt (3/3)

**X** = Seat not suitable for fitting child seats of this type.

**U** = Seat which allows a child seat with “Universal” approval to be installed using a seat belt; check that it can be fitted.

(2) Raise the seat to the maximum and position it as far back as possible, tilting the seatback slightly (approximately 25°).

(3) A carrycot can be installed across the vehicle and will take up at least two seats. Position the child with his or her feet nearest the door.

(4) Move the seat in front of the child forwards, move the seatback forward to avoid contact between the seat and the child’s legs.

(5) In all situations, remove the rear headrest of the seat on which the child seat is positioned. This must be done before fitting the child seat. Please refer to the information on the “Rear headrests” in Section 3.



**(6) RISK OF DEATH OR SERIOUS INJURY:** A child seat with a support leg must never be fitted.

## CHILD SEATS: attachment using the ISOFIX system (1/3)

The table below summarises the information already shown in the diagram on the following pages, to ensure the applicable regulations are respected.

Type of child seat	Weight of the child	Seat size ISOFIX	Front passenger seat		Rear side seats	Rear centre seat
			Without airbag or with airbag deactivated	With airbag activated		
<b>Carrycot fitted across the vehicle</b> Group 0	< 10 kg	F, G	X	X	X	X
<b>Rear-facing shell seat</b> Groups 0 or 0 +	< 10 kg and < 13 kg	E	X	X	IL (1)	X
<b>Shell seat/rear-facing seat</b> Groups 0+ and 1	< 13 kg and 9 to 18 kg	C, D	X	X	IL (1)	X
<b>Forward-facing seat</b> Group 1	9 to 18 kg	A, B, B1	X	X	IUF - IL (2)	X
<b>Booster seat</b> Groups 2 and 3	15 to 25 kg and 22 to 36 kg	-	X	X	IUF - IL (2)	X
<b>Seat i-Size</b>			X		i-U	X

## **CHILD SEATS: attachment using the ISOFIX system (2/3)**

**X** = Seat not suitable for fitting child seats ISOFIX.

**IUF/IL** = On equipped vehicles, seat which allows an approved “Universal/semi-universal” or “vehicle specific” child seat to be attached using the ISOFIX system; check that it can be fitted.

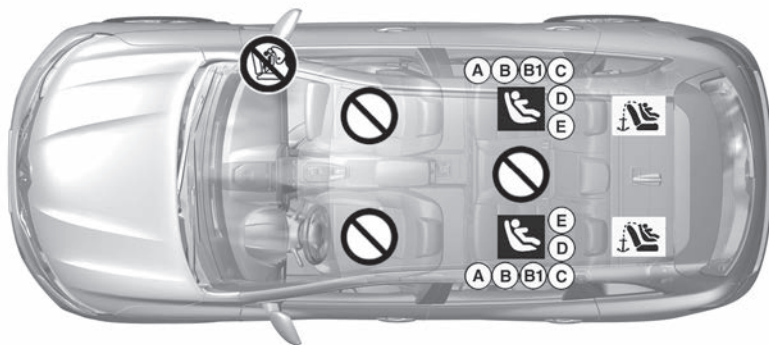
**i-U** = Suitable for the i-Size restraint devices in the “Universal” forward-facing and backward-facing category.

- (1)** Move the front seat as far forward as possible to install a rear-facing child seat, then move back the seat in front as far as it will go, although without allowing it to come into contact with the child seat.
- (2)** In all situations, remove the rear headrest of the seat on which the child seat is positioned. This must be done before fitting the child seat. Please refer to the information on the “Rear headrests” in Section 3. Move the seat in front of the child forwards, move the seatback forward to avoid contact between the seat and the child’s legs.

The size of the ISOFIX child seat is indicated by a letter:

- A, B and B1: for forward-facing seats in group 1 (9 to 18 kg);
- C and D: shell seat or rear-facing seats in group 0+ (less than 13 kg) or group 1 (9 to 18 kg);
- E: rear-facing shell seats in group 0 (less than 10 kg) or 0+ (less than 13 kg);
- F and G: cots in group 0 (less than 10 kg).

## CHILD SEATS: attachment using the ISOFIX system (3/3)



50926

### Child seat fitted using the ISOFIX mounting



Seat which allows a ISOFIX child seat to be attached.



The rear seats are fitted with an anchorage point which allows a forward-facing ISOFIX child seat with universal approval to be attached. The anchorage points are located on the backs of the rear seats.



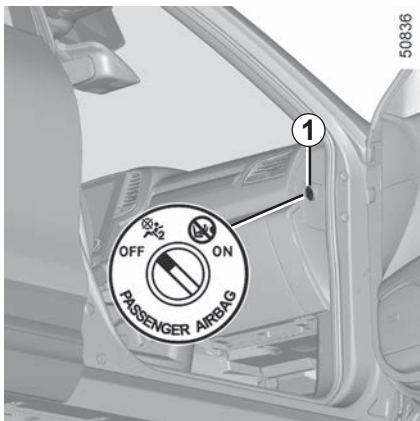
Seat which does not allow a child seat to be fitted.

check the status of the airbag before fitting a child seat or allowing a passenger to use the seat.



Using a child safety system which is not approved for this vehicle will not correctly protect the baby or child. They risk serious or even fatal injury.

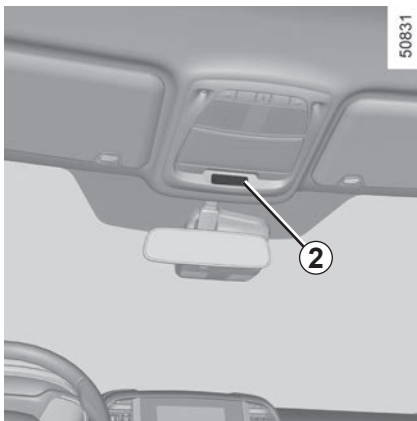
## CHILD SAFETY: deactivating, activating the front passenger air bag (1/3)




### Deactivating the front passenger airbags (on equipped vehicles)

Before installing a child seat on the front passenger seat:

- check that the child seat can be installed on this seat;
- it is essential **to deactivate** the airbag for a rear-facing child seat.



**To deactivate the air bag: with the vehicle stopped and the ignition off,** push and turn lock **1** to the **OFF** position.

With the ignition on, you **must** check that the warning light  on the display **2** is lit up and, depending on the vehicle, that the message “airbag passenger deactivated” is displayed.

**This light remains permanently lit to let you know that you can fit a child seat.**



The passenger air bag must only be deactivated or activated **with the ignition off**. If it is interfered with when the vehicle is being driven, indicator

lights  and  will come on.

Switch the ignition off then on again to reset the air bag in accordance with the lock.

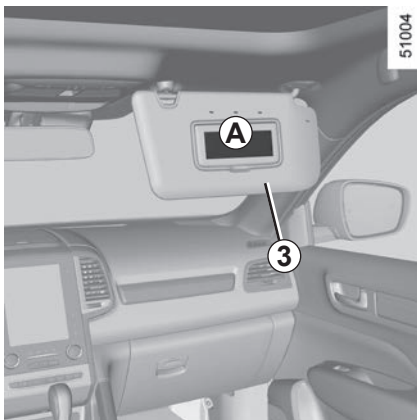


### **DANGER**

Since operation of the front passenger airbag is not compatible with the position of a rear-facing child seat, **NEVER** fit a restraint system for a rear-facing child in a seat protected by an **ACTIVATED front AIRBAG**. This can cause the **CHILD'S DEATH** or **SERIOUS INJURY**.



## CHILD SAFETY: deactivating, activating the front passenger air bag (2/3)



A

35770



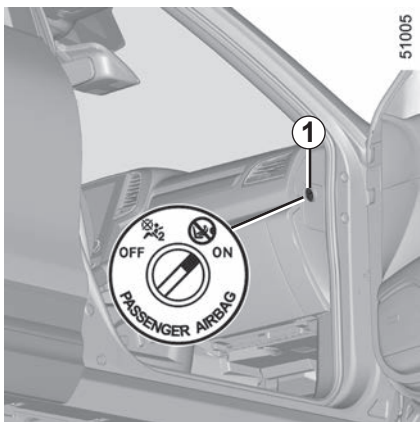
The markings on the dashboard and labels **A** on each side of passenger sun blind **3** (example: label shown above) remind you of these instructions.



### DANGER

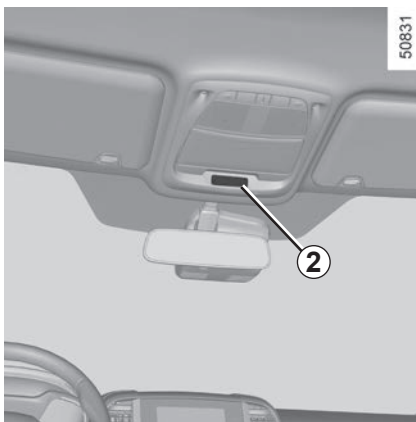
Since operation of the front passenger air bag is not compatible with the position of a rear-facing child seat, **NEVER** fit a restraint system for a rear-facing child in a seat protected by an **ACTIVATED front AIRBAG**. This can cause the **CHILD'S DEATH** or **SERIOUS INJURY**.

## CHILD SAFETY: deactivating, activating the front passenger air bag (3/3)





### Activating the front passenger air bags

You should reactivate the airbags as soon as you remove the child seat from the front passenger seat to ensure the protection of the front passenger in the event of an impact.



**To reactivate the air bag: with the vehicle stopped and the ignition off,** push and turn lock **1** to the **ON** position.

With the ignition switched on, you **must** check that the warning light  is out and that the warning light  comes on the display **2** after each start-up for around 60 seconds.

The front passenger airbag is activated.

### Operating faults

It is forbidden to fit a rear-facing child seat to the front passenger seat if the airbags activation/deactivation system is faulty.

Allowing any other passenger to sit in that seat is not recommended.


Contact your approved dealer as soon as possible.



The passenger airbag must only be deactivated or activated when the **vehicle is stationary**.

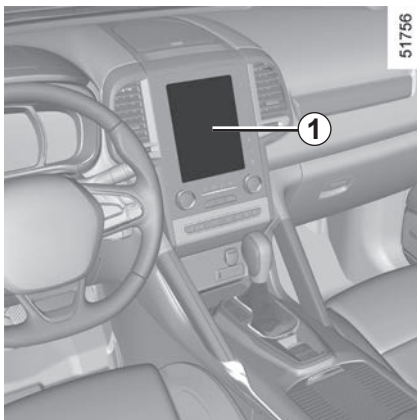
If it is interfered with when the vehicle is being driven, indicator lights



and  will come on.

Switch the ignition off then on again to reset the airbag in accordance with the lock position.

# CLOCK AND EXTERIOR TEMPERATURE



## Display 1

Vehicles fitted with a touchscreen multimedia screen, navigation aid systems, etc.

The time and exterior temperature are displayed on the multifunction screen 1.

Refer to the handbook for the equipment.

## External temperature indicator

### Special note:

When the exterior temperature is  $-3\text{ }^{\circ}\text{C}$  to  $+3\text{ }^{\circ}\text{C}$ , the  $^{\circ}\text{C}$  characters flash (signalling a risk of ice on the road).

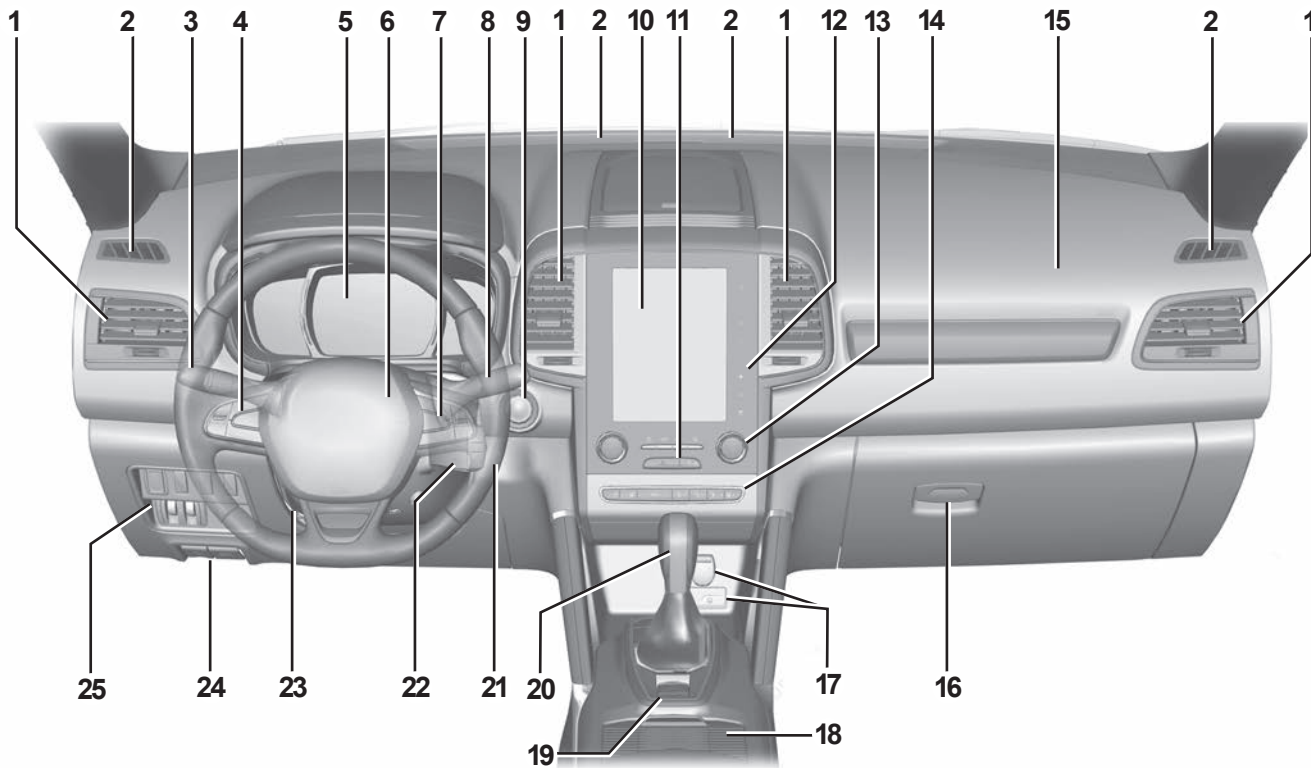


### External temperature indicator

As ice formation is related to climatic exposure, local air humidity and temperature, the external temperature alone is not sufficient to detect ice.

If the electrical supply is cut (battery disconnected, broken supply wire, etc.), the clock will automatically go back to the right time after a few minutes once the system is capable of receiving information GPS.

# DRIVING POSITION: LEFT-HAND DRIVE (1/2)



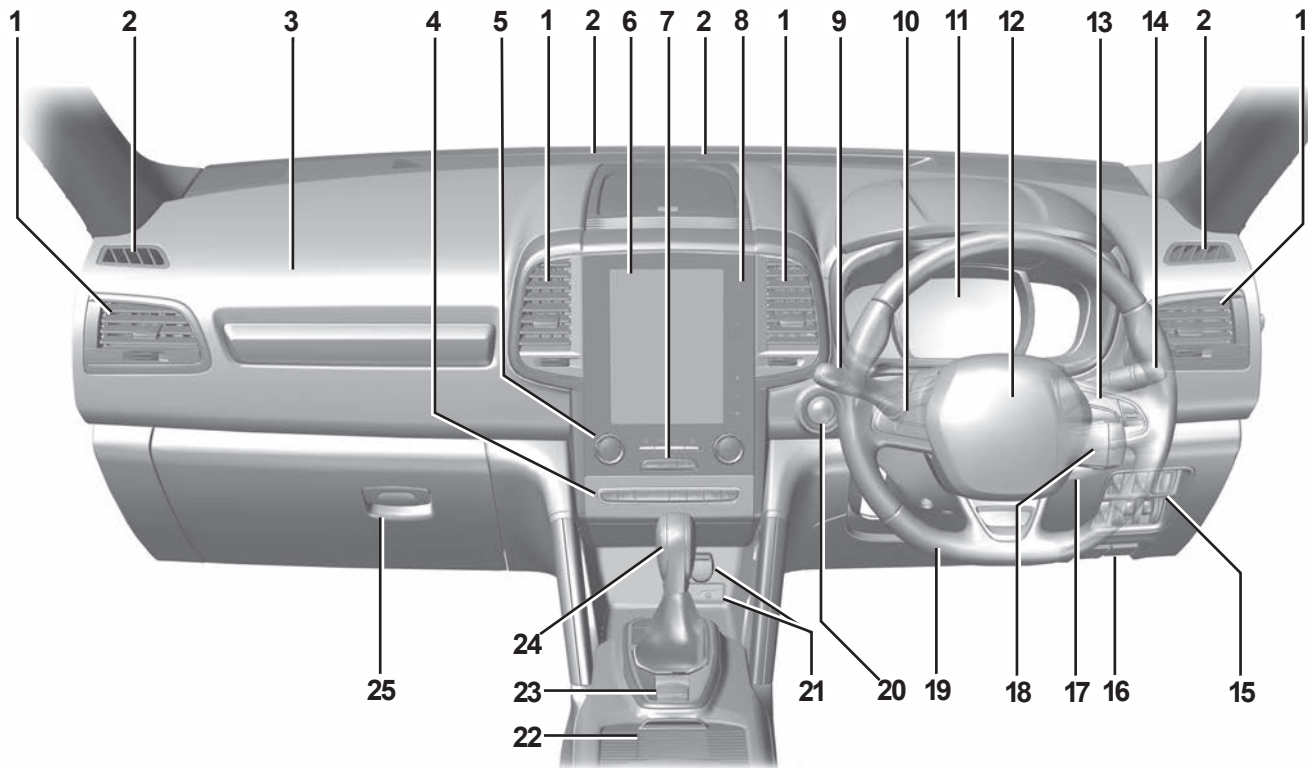
51780

## DRIVING POSITION: LEFT-HAND DRIVE (2/2)

The equipment fitted, described below, **DEPENDS ON THE VERSION AND COUNTRY.**

- 1** Air vent.
- 2** Demister outlet.
- 3** Stalk for:
  - direction indicator lights;
  - exterior lights;
  - fog lights.
- 4** Cruise control/speed limiter controls.
- 5** Instrument panel.
- 6** Driver Airbag and horn location.
- 7** Controls for on-board computer information read-out and vehicle settings customisation menu.
- 8** Steering column stalk for windscreen and rear screen wash/wiper.
- 9** Engine start/stop button (vehicle with RENAULT card).
- 10** Multifunction screen.
- 11** Hazard warning light switch, central door locking warning light.
- 12** Multifunction screen controls for:
  - power on/off,
  - volume,
  - home menu,
  - driving aids menu,
  - display settings.
- 13** Heating or air conditioning controls.
- 14** Controls for:
  - heated front seats,
  - ventilated front seats,
  - activation/deactivation of ECO mode,
  - activation/deactivation of assisted parking,
  - activation/deactivation of the Stop and Start function.
- 15** Passenger Airbag location.
- 16** Glovebox.
- 17** Accessories socket or cigarette lighter and Multimedia sockets.
- 18** Cup holders.
- 19** Controls for:
  - Cruise control/speed limiter main control,
  - Assisted parking.
- 20** Gear lever.
- 21** Ignition switch (vehicles with key).
- 22** Controls for remote radio and navigation system.
- 23** Control for adjusting steering wheel height and reach.
- 24** Unlocking controls:
  - bonnet,
  - fuel filler flap.
- 25** Controls for:
  - Electric headlight beam adjustment,
  - Instrument panel lighting dimmer,
  - Tailgate opening or Lane departure warning on/off (depending on the vehicle),
  - Heated steering wheel on/off,
  - ESC and Traction Control system,
  - Two and four-wheel drive mode selector.

# DRIVING POSITION: RIGHT-HAND DRIVE (1/2)



51852

## DRIVING POSITION: RIGHT-HAND DRIVE (2/2)

The equipment fitted, described below, **DEPENDS ON THE VERSION AND COUNTRY.**


- 1** Air vent.
- 2** Demister outlet.
- 3** Passenger Airbag location.
- 4** Controls for:
  - heated front seats,
  - ventilated front seats,
  - activation/deactivation of ECO mode,
  - activation/deactivation of assisted parking,
  - activation/deactivation of the Stop and Start function.
- 5** Heating or air conditioning controls.
- 6** Multifunction screen.
- 7** Hazard warning light switch, central door locking warning light.
- 8** Multifunction screen controls for:
  - power on/off,
  - volume,
  - home menu,
  - driving aids menu,
  - display settings.
- 9** Stalk for:
  - direction indicator lights;
  - exterior lights;
  - fog lights.
- 10** Cruise control/speed limiter controls.
- 11** Instrument panel.
- 12** Driver Airbag and horn location.
- 13** Controls for on-board computer information read-out and vehicle settings customisation menu.
- 14** Steering column stalk for windscreen and rear screen wash/wiper.
- 15** Controls for:
  - Electric headlight beam adjustment,
  - Instrument panel lighting dimmer,
  - Tailgate opening or Lane departure warning on/off (depending on the vehicle),
  - Heated steering wheel on/off,
  - ESC and Traction Control system,
  - Two and four-wheel drive mode selector.
- 16** Unlocking controls:
  - bonnet,
  - fuel filler flap.
- 17** Ignition switch (vehicles with key).
- 18** Control for remote radio and navigation system.
- 19** Control for adjusting steering wheel height and reach.
- 20** Engine start/stop button (vehicle with RENAULT card).
- 21** Accessories socket or cigarette lighter and Multimedia sockets.
- 22** Cup holder
- 23** Controls for:
  - Cruise control/speed limiter main control,
  - Assisted parking.
- 24** Gear lever.
- 25** Glovebox.

## WARNING LIGHTS (1/6)

The display of information shown below **DEPENDS ON THE VEHICLE EQUIPMENT AND COUNTRY.**



**Instrument panel A:** lights up when the driver's door is opened. When the ignition is switched on, turn wheel **1** to set the brightness of the instrument panel.

The  warning light means you should **drive very carefully** to an approved dealer as soon as possible. If you fail to follow this recommendation, you risk damaging your vehicle.

In some cases, the appearance of a warning light is accompanied by a message.



**Side light warning light**



**Main beam headlight tell-tale**



**Dipped beam headlight tell-tale**



**Front fog light tell-tale**



**Rear fog light tell-tale**



**Automatic main beam headlight indicator light**

Please refer to the information on "External signals and lights" in Section 1.



Warning light **STOP** requires you to stop immediately, for your own safety, as soon as traffic conditions allow. Switch off the engine and do not restart it. Contact an approved Dealer.



**Left-hand direction indicator tell-tale**



**Right-hand direction indicator tell-tale**



**Low fuel level warning light**

It lights up orange when the ignition or the engine is switched on and goes off after a few seconds. If it comes on orange while driving and is accompanied by a beep, fill up with fuel as soon as possible. There is only approximately 30 miles (50 km) worth of fuel left.



If no lights or sounds are apparent, this indicates a fault in the instrument panel. This indicates that it is essential to stop immediately (as soon as traffic conditions allow). Ensure that the vehicle is correctly immobilised and contact an approved Dealer.



## WARNING LIGHTS (2/6)

The display of information shown below **DEPENDS ON THE VEHICLE EQUIPMENT AND COUNTRY.**



**STOP STOP light**  
This lights up when the ignition or engine is switched on and goes out as soon as the engine is running. It comes on with other warning lights and/or messages, and is accompanied by a beep.

It requires you to stop immediately, for your own safety, as soon as traffic conditions allow. Switch off the engine and do not restart it.

Contact an approved Dealer.

### Brake circuit fault warning light

It lights up when the ignition or the engine is switched on and goes off after a few seconds.

If it comes on during braking and is accompanied by the **STOP** warning light and a beep, it indicates that the fluid level in the circuit is low or that there is a braking system fault. Stop as soon as traffic conditions allow and contact an authorised dealer.

### Battery charge warning light

It lights up when the ignition or the engine is switched on and goes off after a few seconds.

If it comes on on the road, accompanied by the **STOP** warning light and a beep, this indicates an overload or discharge in the electrical circuit.

Stop as soon as traffic conditions allow and contact an approved Dealer.

### Oil pressure warning light

It lights up when the ignition or the engine is switched on and goes off after a few seconds.

If it comes on on the road, accompanied by the **STOP** warning light and a beep, stop immediately and cut the ignition.

Check the oil level. If the level is normal, the indicator light is being lit by something else. Contact an approved Dealer.

### Variable power-assisted steering warning light

It lights up when the ignition or the engine is switched on and goes off after a few seconds.


If it comes on while driving, alongside the warning light **STOP**, this means there is a system fault.

Contact an authorised dealer.

## WARNING LIGHTS (3/6)

The display of information shown below **DEPENDS ON THE VEHICLE EQUIPMENT AND COUNTRY.**



 **Warning light**  
This lights up when the ignition or engine is switched on and goes out as soon as the engine is running. It can light up in conjunction with other warning lights and/or messages on the instrument panel.  
It means you should **drive very carefully** to an approved dealer as soon as possible. If you fail to follow this recommendation, you risk damaging your vehicle.

### Toxic Fume Filter System Warning Light

On vehicles which are equipped with it, this light comes on when the engine is started and, depending on the vehicle, when the ignition is switched off if the vehicle is in the engine standby phase (refer to the information on the “Stop and Start Function” in section 2) then goes out.

- If it lights up continuously, consult your approved dealer as soon as possible;
- if it flashes, reduce the engine speed until the light stops flashing. Contact your approved Dealer as soon as possible.

Refer to the information on “Advice: antipollution, fuel economy and driving” in Section 2.

### Anti-lock braking warning light

It lights up when the ignition or the engine is switched on and goes off after a few seconds.

If it lights up when you are driving, it indicates a fault in the anti-lock braking system.

Braking will then be as normal, without the ABS. Contact an approved Dealer as soon as possible.

### Coolant temperature warning light

This lights up red when the ignition is switched on or the engine is started.

If it turns red, stop and let the engine idle for a minute or two.

The temperature should drop. Otherwise, stop the engine. Let the engine cool down before checking the coolant.

Contact an approved Dealer.

## WARNING LIGHTS (4/6)

The display of information shown below **DEPENDS ON THE VEHICLE EQUIPMENT AND COUNTRY.**




### **Preheating warning light (diesel version)**


This should come on when the ignition is switched on. It indicates that the heater plugs are in operation.


It goes out when preheating is complete. The engine can be started.

### **Door(s) open warning light**

### **Rear seat belt reminder** (depending on vehicle)


Warning light  comes on, accompanied (depending on the vehicle) by a message indicating the number of fastened seat belts on the instrument panel for approximately 30 seconds, each time the vehicle is started, a door is opened or a rear seat belt is fastened/unfastened. Check that the rear passengers are wearing seat belts and that the number of seat belts shown as fastened corresponds to the number of rear seat places occupied.

 **Gear change indicator**  
This lights up to advise you to change to a higher gear (up arrow) or lower gear (down arrow). Please refer to the information on “Driving advice, Eco-driving” in Section 2.

 **Air bag warning light**  
This warning light will be displayed on the instrument panel when the ignition is switched on or the engine is started, and will then go out after a few seconds.


If it does not come on when the ignition is switched on, or comes on when the engine is running, there is a fault in the system.

Contact your approved Dealer as soon as possible.

 **Brake pedal warning light**

This lights up when the brake pedal should be depressed. Refer to the information on the “Automatic gear-box” in Section 2.

Please refer to the information on “Driving advice, Eco-driving” in Section 2.

 **Footbrake or electronic parking brake warning light**  
Refer to the information on the “Assisted parking brake” in Section 2.

## WARNING LIGHTS (5/6)

The display of information shown below **DEPENDS ON THE VEHICLE EQUIPMENT AND COUNTRY.**



### **Engine standby warning light**

Please see information in the paragraph on “Stop and Start Function” in Section 2.

### **Unavailability of engine standby warning light**

Please see information in the paragraph on “Stop and Start Function” in Section 2.

### **Speed limiter, cruise control and adaptive cruise control indicator lights**

Please refer to the information on the “Speed limiter”, “Cruise control” and “Adaptive cruise control” in Section 2.

### **Tyre pressure monitoring system**

Refer to the information on the “Tyre pressure monitoring system” in Section 2.

### **ECO mode warning light**

This comes on when ECO mode is activated.

Please refer to the information on “Eco-driving” in Section 2.

### **Warning light for reagent level and faults in the exhaust gas reduction system**

Refer to the information on “Reagent tank” in Section 1.

### **Assisted parking brake fault light**

Please refer to the information on the “Assisted parking brake” in Section 2.

### **Emergency active brake assist**

Refer to the information on “Driving correction devices and aids” in Section 2.

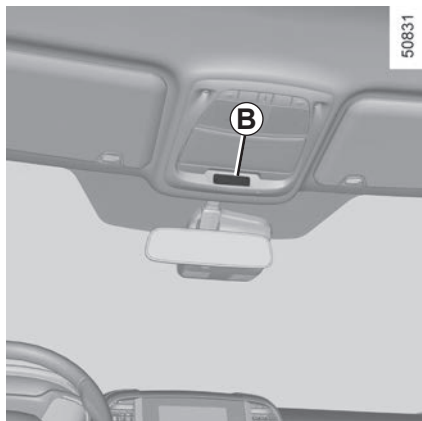
### **Electronic Stability Program (ESC) and traction control system warning light**

It lights up when the ignition or the engine is switched on and goes off after a few seconds.

There are several reasons for the warning light to come on: please refer to the information on “Driver correction devices and aids” in Section 2.

## WARNING LIGHTS (6/6)

The display of information shown below **DEPENDS ON THE VEHICLE EQUIPMENT AND COUNTRY.**



On display **B**



### Passenger airbag ON

Please refer to the information on “Child safety: deactivating/activating the front passenger airbag” in Section 1.



### Passenger airbag OFF

Please refer to the information on “Child safety: deactivating/activating the front passenger airbag” in Section 1.

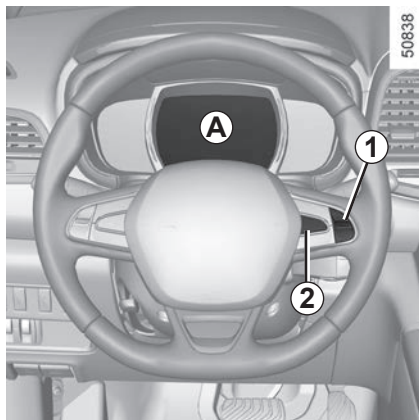


### Driver's seat belt reminder and, depending on the vehicle, front passenger seat belt reminder

This lights up when the ignition is switched on, then, if the driver's or front passenger's (if this seat is occupied) seat belt is not fastened and the vehicle has reached approximately 12.4 mph (20 km/h), it flashes and a beep sounds for around 2 minutes.

**Note:** an object placed on the passenger seat base can activate the warning light.

## DISPLAYS AND INDICATORS (1/2)



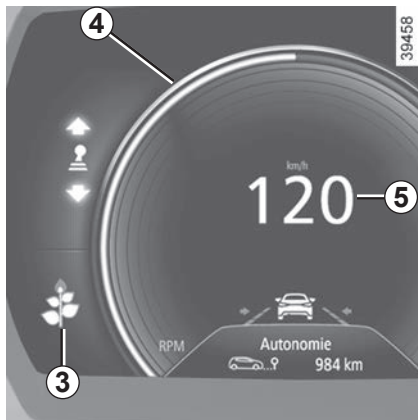
### Instrument panel A

Depending on the vehicle, you can customise your instrument panel with the content and colours of your choice.

From the multifunction screen, select “System”, then “User profile”. Refer to the handbook for the equipment.

### Driving style indicator 3

Please refer to the information on “Eco-driving” in Section 2.



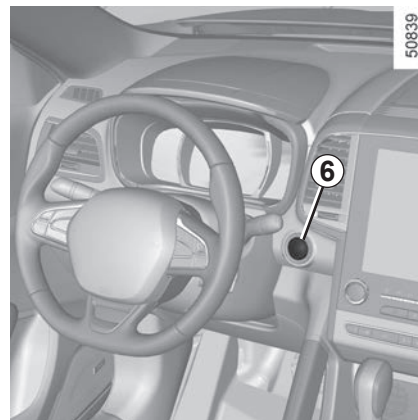
### Rev counter 4 (graduations x 1000)

### Speedometer 5 (km or miles per hour)

This is displayed differently according to how the instrument panel is customised.

### Overspeed buzzer

Depending on the vehicle and country, a buzzer sounds for approximately 10 seconds every 40 seconds, as long as the vehicle is travelling in excess of 72 mph (120 km/h).



### Instrument panel in miles (option to switch to km/h)

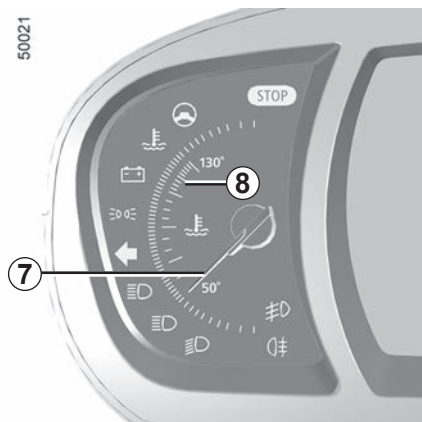
### Vehicles not fitted with a navigation system

- With the ignition off, press the **OK** button **2** and the start button **6**;
- using control **1**, select “Settings”, “Instrument panel”, then the unit;
- Press the **OK** button **2** to confirm.

To return to the previous mode, repeat the same operation.

## DISPLAYS AND INDICATORS (2/2)

50021



### Vehicles fitted with a navigation system

On the multifunction screen, select “System”, “User profile” and “Unit”.

**Note:** In both cases, once the battery is switched off, the on-board computer automatically returns to the original unit of measurement.

### Trip computer and warning system

Refer to the information on the “Trip computer and warning system” in Section 1.


34502



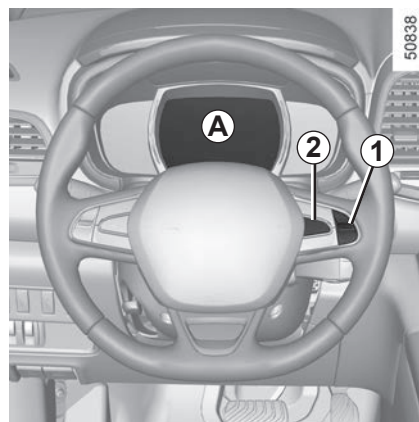
### Coolant temperature indicator 7

In normal use, indicator **7** should be before arear **8**. Under “intensive” operating conditions, the needle may approach this zone. This is not serious unless the warning light **STOP** comes on accompanied by a message on the instrument panel and a beep.

### Fuel level gauge 9

If the level is at the minimum, warning light  integrated in the indicator comes on orange, accompanied by a beep. Fill up as soon as possible.

50838



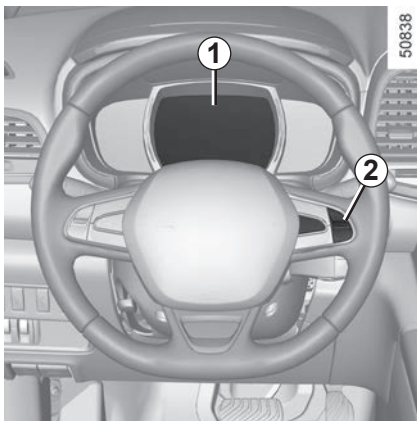
### Engine oil level low warning

When the engine is started, the instrument panel display **A** alerts you when the minimum oil level is reached. Refer to the information on the “Engine oil level” in Section 4.

The first time the warning appears, it can be cleared by pressing the **OK** button **2**.


Subsequent warnings will disappear automatically after 30 seconds.

## TRIP COMPUTER: general information (1/2)



### On-board computer 1

Depending on the vehicle, this includes the following functions:

- distance travelled;
- journey parameters;
- information messages;
- operating fault messages (associated with the  warning light);
- warning messages (associated with the **STOP** warning light);

All these functions are described on the following pages.

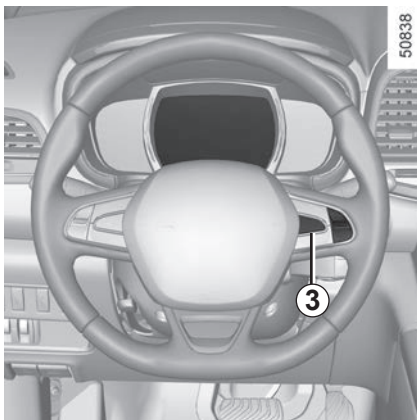
### Display selection keys 2

Scroll through the following information by repeated short presses on the control **2** (the display depends on the vehicle equipment and country):

- a) total mileage and trip mileage recorder;
- b) journey parameters:
  - average fuel consumption;
  - current fuel consumption;
  - estimated range;
  - distance travelled;
  - average speed;
- c) mileage before service;
- d) tyre pressure reset;
- e) trip log, operating faults and information message readout.



## TRIP COMPUTER: general information (2/2)



### Trip mileage resetting

With “trip mileage recorder” selected on the display, press key OK **3** until the mileage recorder resets to zero.

### Resetting the journey parameters (reset button)

with the display showing one of the trip settings, press key OK **3** until the display is reset to zero.

### Interpreting some of the values displayed after resetting

The values showing average fuel consumption and average speed will become more stable and reliable the further you have travelled since the last time the Reset button was pressed.

The average fuel consumption may decrease when:



- the vehicle stops accelerating;
- the engine reaches its operating temperature (if the engine was cold when the reset key was pressed);
- when driving from an urban area onto the open road.

### Automatic resetting of the journey parameters

Resetting occurs automatically when the maximum value of any of the parameters is exceeded.




## TRIP COMPUTER: trip settings (1/5)

The display of information shown below **DEPENDS ON THE VEHICLE EQUIPMENT AND COUNTRY.**

Examples of selections	Interpreting the display selected
<p>101778 km 112.4 km</p>	<p>⇒ <b>a) Total mileage and trip mileage recorder.</b></p>
<p>Average</p> <p> 5.8 L/100</p>	<p>⇒ <b>b) Journey parameters:</b> <b>Average fuel consumption</b> since the last reset. The value is displayed after having travelled at least 400 metres since the last reset.</p>
<p>Current</p> <p> 7.4 L/100</p>	<p>⇒ <b>Current fuel consumption.</b> This value is displayed after a speed of approximately 6 mph (10 km/h) is reached.</p>

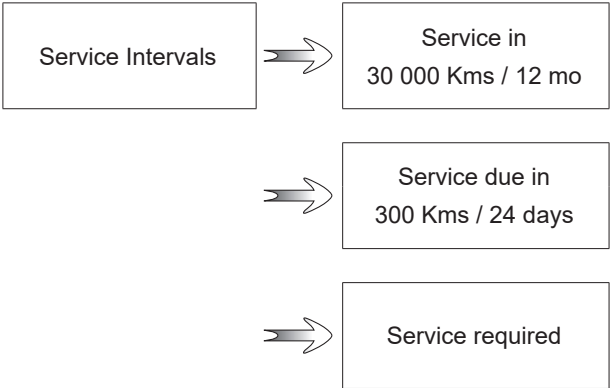

## TRIP COMPUTER: trip settings (2/5)

The display of information shown below **DEPENDS ON THE VEHICLE EQUIPMENT AND COUNTRY.**

Examples of selections	Interpreting the display selected
<p data-bbox="208 305 284 328">Range</p>  <p data-bbox="278 365 359 387">541 km</p>	<p data-bbox="435 333 511 370">➔</p> <p data-bbox="565 320 988 342"><b>Estimated range with remaining fuel.</b></p> <p data-bbox="565 359 1070 381">The value is displayed after driving 400 metres.</p>
<p data-bbox="198 462 296 484">Distance</p>  <p data-bbox="278 518 359 540">522 km</p>	<p data-bbox="435 490 511 527">➔</p> <p data-bbox="565 496 949 518"><b>Distance travelled</b> since last reset.</p>
<p data-bbox="198 619 296 641">Average</p>  <p data-bbox="263 675 379 697">123.4 km/h</p>	<p data-bbox="435 647 511 684">➔</p> <p data-bbox="565 630 954 652"><b>Average speed</b> since the last reset.</p> <p data-bbox="565 669 1070 692">The value is displayed after driving 400 metres.</p>

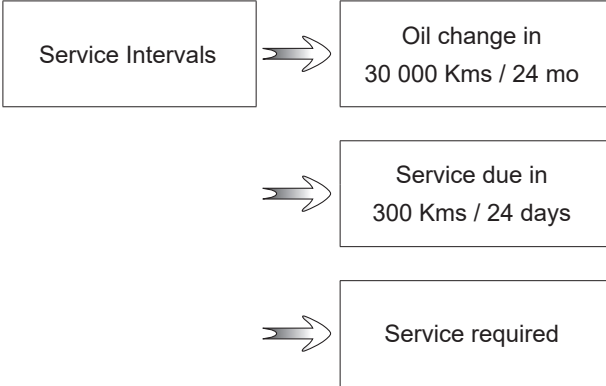

## TRIP COMPUTER: trip settings (3/5)

The display of information shown below **DEPENDS ON THE VEHICLE EQUIPMENT AND COUNTRY.**

Examples of selections	Interpreting the display selected
On-board computer with mileage-before-service message	
 <p>Service Intervals</p> <p>Service in 30 000 Kms / 12 mo</p> <p>Service due in 300 Kms / 24 days</p> <p>Service required</p>	<p><b>c) Mileage before service or oil change.</b></p> <p><b>Mileage before service</b> <b>With the ignition switched on, the engine not running</b> and the display set to “Service Intervals”, press button <b>OK</b> for approximately 5 seconds to display the mileage before service (distance or time to the next service). When the range approaches its limit, there are several possible scenarios:</p> <ul style="list-style-type: none"><li>– distance/time remaining less than <b>900 miles (1,500 km) or one month</b>: the message “Service due in” is displayed along with the nearest limit (distance or time);</li><li>– range equal to <b>0 km/miles</b> or <b>service date reached</b>: the message “Service required” is displayed accompanied by warning light .</li></ul> <p>The vehicle requires a service as soon as possible.</p>
<p><b>Resetting:</b> to reset the distance before service, press and hold button <b>2</b> for approximately 10 seconds until the display shows the mileage permanently.</p> <p><b>NB:</b> if a service is performed without changing the engine oil, only the mileage before the next service should be reset. In the event of an oil change, both the distance before the next service and the next oil change should be reset.</p>	

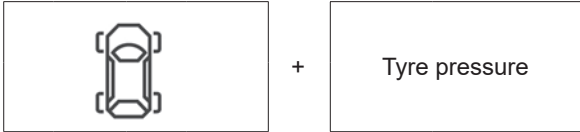
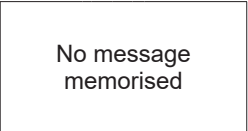


## TRIP COMPUTER: trip settings (4/5)

The display of information shown below **DEPENDS ON THE VEHICLE EQUIPMENT AND COUNTRY.**

Examples of selections	Interpreting the display selected
On-board computer with distance before next service message (cntd.)	
 <p>Service Intervals</p> <p>Oil change in 30 000 Kms / 24 mo</p> <p>Service due in 300 Kms / 24 days</p> <p>Service required</p>	<p><b>c) Mileage before service or oil change.</b></p> <p><b>Mileage before service</b> <b>With the ignition switched on and the engine not running,</b> and the selected display is “Mileage before service”, press button <b>OK</b> for about 5 seconds to display the mileage before the next service, then press button <b>2</b> to view the mileage before the next oil change (distance or time remaining before the next service). When the range approaches its limit, there are several possible scenarios:</p> <ul style="list-style-type: none"><li>– distance/time remaining less than <b>900 miles (1,500 km) or one month</b>: the message “Service due in” is displayed, accompanied by the nearest term (distance or time);</li><li>– range equal to <b>0 km/miles or service date reached</b>: the message “Service required” is displayed accompanied by warning light .</li></ul> <p>The vehicle requires an oil change as soon as possible.</p>
<p>Depending on the vehicle, the mileage before an oil change varies according to the driving style (frequent driving at low speed, door-to-door journeys, extensive use at idling speed, towing a trailer, etc.). The distance remaining until the next oil change can therefore decrease more quickly in some cases than the actual distance travelled.</p> <p><b>Resetting:</b> to reset the mileage before a service, press and hold button <b>2</b> for approximately 10 seconds until the display shows the range permanently.</p> <p><b>NB:</b> if a service is performed without changing the engine oil, only the mileage before the next service should be reset. In the event of an oil change, both the distance before the next service and the next oil change should be reset.</p>	

## TRIP COMPUTER: trip settings (5/5)

The display of information shown below **DEPENDS ON THE VEHICLE EQUIPMENT AND COUNTRY.**


Examples of selections	Interpreting the display selected
 <p data-bbox="374 344 394 359">+</p> <p data-bbox="465 344 616 367">Tyre pressure</p>  <p data-bbox="329 512 465 561">No message memorised</p>	 <p data-bbox="807 292 1109 314"><b>d) Reset the tyre pressure.</b></p> <p data-bbox="833 329 1427 381">Refer to the information on the “Tyre pressure monitoring system” in Section 2.</p>  <p data-bbox="807 542 928 564"><b>e) Trip log.</b></p> <p data-bbox="833 580 1044 602">Successive display:</p> <ul data-bbox="833 617 1427 706" style="list-style-type: none"><li data-bbox="833 617 1427 639">– information messages (passenger airbag OFF etc.);</li><li data-bbox="833 654 1427 706">– operating fault messages (Check injection system, etc.).</li></ul>


## TRIP COMPUTER AND WARNING SYSTEM: information messages

These can help in the vehicle starting phase, or give information about a selection or a driving status. Examples of information messages are given in the following pages.

<b>Examples of messages</b>	<b>Interpreting the display selected</b>
<b>« Parking brake on »</b>	Indicates that the parking brake has been applied.
<b>« Checking control functions »</b>	Displayed with the ignition on when the vehicle is running self-diagnostics.
<b>« Turn steering wheel + START »</b>	Turn the steering wheel slightly whilst pressing the vehicle start button to unlock the steering column.
<b>« Steering wheel not locked »</b>	Indicates that the steering column has not been locked.

## TRIP COMPUTER AND WARNING SYSTEM: operating fault messages

These appear with the  warning light and mean that you should drive very carefully to an authorised dealer as soon as possible. If you fail to follow this recommendation, you risk damaging your vehicle.

They disappear when the display selection key is pressed or after several seconds and are stored in the computer log. The  warning light stays on. Examples of operating fault messages are given in the following pages.

Examples of messages	Interpreting the display selected
« Clean diesel filter »	Indicates the presence of water in the diesel filter; contact an approved Dealer as soon as possible.
« Check lighting »	Indicates a fault in the headlights.
« Check vehicle »	Indicates a fault in one of the pedal sensors, battery management system or oil level sensor.
« Check airbag »	Indicates a fault in the restraint system in addition to the seat belts. In the event of an accident, it is possible that they may not be triggered.
« Check anti-pollution system »	Indicates a fault in the vehicle's particle filter system.



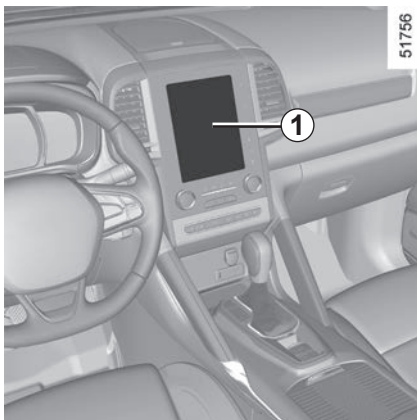
## TRIP COMPUTER AND WARNING SYSTEM: warning message

These appear with the **STOP** warning light and require you to stop immediately, for your own safety, as soon as traffic conditions allow. Stop your engine and do not restart it. Contact an approved Dealer.

Some examples of warning messages are given below. **Note:** the messages appear on the display either individually or alternately (when there are several messages to be displayed), and may be accompanied by a warning light and/or a beep.

Examples of messages	Interpreting the display selected
« Engine failure hazard »	Indicates an injection fault, the vehicle's engine has overheated or there is a serious engine fault.
« Power steering fault »	Indicates a fault in the steering or a problem with the four-wheel drive.
"Braking system fault" or "Stop vehicle"	Indicates a fault in the braking system. Apply the electronic parking brake manually and ensure that the vehicle is immobilised using a chock.
« Electric failure DANGER »	Indicates a fault in the vehicle battery charging circuit (alternator etc.).
« Puncture »	Indicates a puncture on the tyre displayed on the instrument panel.

## VEHICLE SETTINGS CUSTOMISATION MENU (1/2)



Depending on the vehicle equipment, this function allows you to activate/deactivate and adjust some of the vehicle's functions.

### Vehicles fitted with a navigation system

#### Accessing the settings menu

With the vehicle at a standstill, using the multifunction screen **1**, select menu "Vehicle", "User settings" to access the various settings.

#### Adjusting the settings

(depending on the vehicle)

Select the function to modify:

- a) unlocking the driver's door only;
- b) automatic locking of the doors while driving;
- c) hands-free function;
- d) indicator audio volume;
- e) internal welcome sound;
- f) external welcome;
- g) reading lamp in automatic mode;
- h) rear windscreen wiping in reverse gear;
- i) configuration of the driving style indicator;
- j) Active noise control.

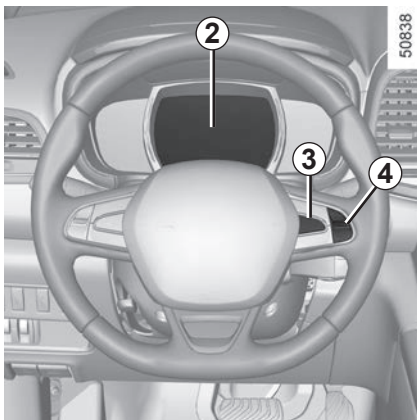
Select "ON" or "OFF" to activate or deactivate the function.

For the "Light brightness intensity" function, select the intensity by pressing "+" or "-".



For safety reasons, carry out any adjustments when the vehicle is stationary.

## VEHICLE SETTINGS CUSTOMISATION MENU (2/2)



### Vehicles not fitted with a navigation system

#### Accessing the settings menu on display 2

With the vehicle at a standstill, press and hold the switch **3 OK** to access the settings menu.

#### Adjusting the settings (depending on the vehicle)

Browse using the control **4** to select the function to adjust:

- a) Language;
- b) Vehicle speed unit;
- c) Unlocking the driver's door only;
- d) Lock doors when in motion;
- e) Use handfree card;
- f) Rear wipers when reverse is ON;
- g) Flashers volume;
- h) Welcome lights;
- i) Automatic cabin lights;
- j) Parking assist;
- k) Parking assist audio volume;
- l) Lane departure volume;
- m) Lane departure sensitivity;
- n) Lane departure vibration;
- p) Active braking;
- q) Automatic main beam lights.

function activated

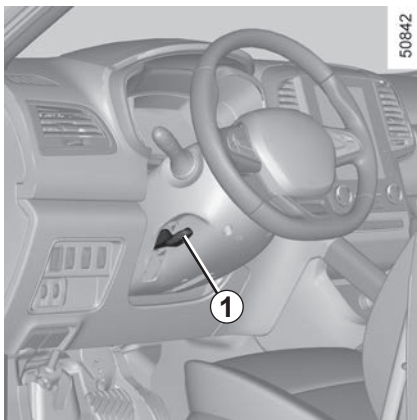
function deactivated

Once a line has been selected, press the switch **3 OK** to adjust the function. If you select either "Parking assist" or "Language", you will have to make a further selection (sound volume of the parking distance control or instrument panel language). In this case, make your selection and confirm it by holding the switch **3 OK** – the selected value is

shown by a  in front of the line. To exit the menu, press the control **4** upwards or downwards. It may be necessary to carry out this operation several times.

The vehicle settings personalisation menu cannot be used when driving. At speed exceeding 12 mph (20 km/h), the instrumental panel display switches automatically back to trip computer and warning system mode.

# STEERING WHEEL, POWER-ASSISTED STEERING (1/2)



## Adjusting the steering wheel height and depth

Lower the lever **1** and position the steering wheel in the required position.

Then, raise the lever fully, beyond the point of resistance to lock the steering wheel.

Make sure that the steering wheel is correctly locked.



For safety reasons, only adjust the steering wheel when the vehicle is stationary.

## Power-assisted steering

### Variable power-assisted steering

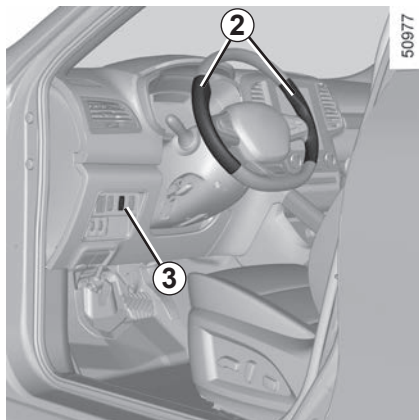
The variable power assisted steering system is equipped with an electronic control system which alters the level of assistance to suit the vehicle speed.

Steering is made easier during parking manoeuvres (for added comfort) while the force needed to steer increases progressively as the speed rises (for enhanced safety at high speeds).

Never leave the steering wheel at full lock while stationary.

With the engine switched off, or if there is a system fault, it is still possible to turn the steering wheel. The force required will be greater.

## STEERING WHEEL, POWER-ASSISTED STEERING (2/2)



### Steering wheel heating

(depending on the vehicle)

This function heats the steering wheel in areas **2**.

#### Operating principle

When the temperature is reached, the function regulates the temperature of the heated areas for approximately 30 minutes and then switches off automatically.

#### Activating the function

With the ignition on, press the switch **3**, the warning light integrated in the switch lights up.

#### Deactivating the function

##### - Automatic:

The function switches off automatically after the regulation phase of approximately 30 minutes. The warning light integrated in the switch **3** remains on.

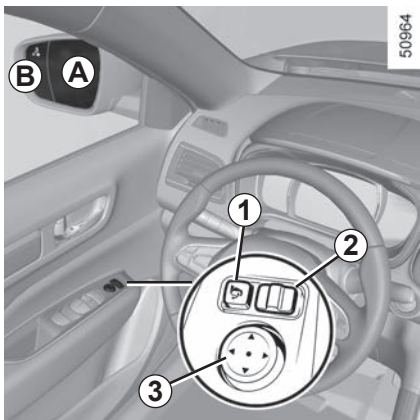
**Note:** If the function has switched off automatically, press the switch **3** twice to reactivate it.

If switch **3** is not pressed again, the function will be reactivated the next time the ignition is switched on.

##### - Manually:

To deactivate the function during the regulation phase, press the switch **3**. The indicator light in the switch **3** goes out.

## REAR VIEW MIRRORS (1/2)



### Exterior rear view mirrors

#### Adjustment

Select the door mirror using the switch **2**, then use the control **3** to adjust it to the desired position.

#### Heated door mirrors

Mirror de-icing is carried out at the same time as rear screen de-icing.

Please refer to the information on “Manual air conditioning” and “Automatic climate control” in Section 3.

### Folding rear view mirrors

The door mirrors automatically fold in when the vehicle is locked using the button on the RENAULT card or remote “Hands-free” locking. In this case, when the engine is started, the door mirrors fold out.

In any case, you can make the door mirrors fold in or fold out with switch **1**. If the switch **1** is pressed, automatic mode is deactivated. To reactivate the automatic mode, press the switch **1** again.

### Welcome and goodbye function (depending on the vehicle)

From the multifunction screen, select menu “Vehicle”, “User settings”, “External welcome” and activate or deactivate the function (**ON** or **OFF**).



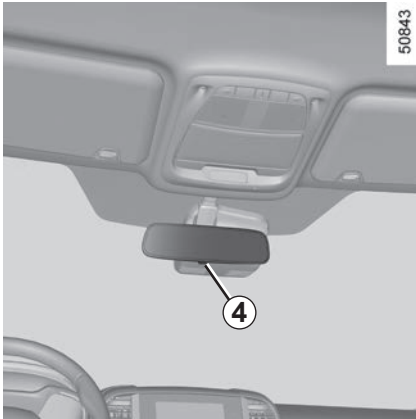
The driver's door mirror may have two clearly defined zones. Zone **A** shows what can normally be seen in an ordinary rear view mirror. Zone **B** increases rear side visibility.

**Objects in the mirror are closer than they appear.**



For safety reasons, carry out any adjustments when the vehicle is not being driven.

## REAR VIEW MIRRORS (2/2)



### **Interior rear view mirror**

Its position can be adjusted.

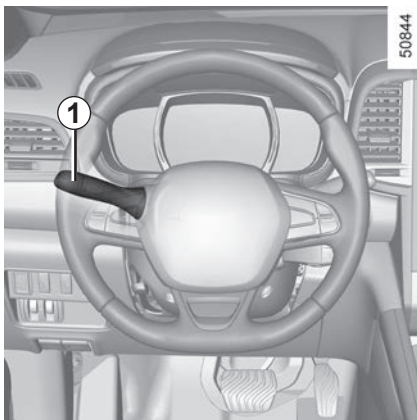
### **Rear-view mirror with lever 4**

For night driving, to avoid being dazzled by the headlights of the car behind you, flip the small lever **4** located behind the rear view mirror.

### **Rear view mirror without lever 4**

The rear-view mirror darkens automatically at night if you are being followed by a vehicle with its lights on.

## EXTERIOR LIGHTING AND SIGNALS (1/5)



### Side lights

Turn ring **3** until the symbol is opposite mark **2**. This indicator light on the instrument panel comes on.



Before driving at night: check that the electrical equipment is operating correctly. As a general precaution, check that the lights are not obscured (by dirt, mud, snow or objects being transported).

40004



### Main beam headlights

With the dipped beam headlights lit, push stalk **1**. This indicator light on the instrument panel comes on.

To return to the dipped headlight position, pull the stalk **1** towards you again.



### Dipped beam headlights

#### Manual operation

Turn ring **3** until the symbol is opposite mark **2**. This indicator light on the instrument panel comes on.

#### Automatic operation

Turn ring **3** until the AUTO symbol is opposite mark **2**: with the engine running, the dipped beam headlights switch on or off automatically depending on the brightness of the light outside, without any action on stalk **1**.

When driving on the left in a left-hand drive vehicle (or vice versa), drivers must readjust their lights throughout their stay (see "Adjusting headlight beams" in Section 1).



## EXTERIOR LIGHTING AND SIGNALS (2/5)

### Automatic main beam headlights

Depending on the vehicle, this system switches the main beam headlights on and off automatically. The function uses a camera located behind the interior rear-view mirror to detect vehicles that are following and coming in the opposite direction.

The main beam headlights come on automatically if:

- exterior light is weak;
- no other vehicles or lighting are detected;
- the vehicle speed is above approximately 30 mph (40 km/h).

If any of the above conditions are not fulfilled, the system switches to dipped beam headlights.



The “automatic main beam headlights” system should under no circumstances be used to replace driver attention and responsibility with regard to vehicle lighting and adapting to light, visibility and traffic conditions.

40004




The system may encounter difficulties under certain conditions, including:

- extreme weather conditions (rain, snow, fog, etc.);
- obstruction in front of the windscreen or camera;
- when a following or oncoming vehicle has weak or hidden lighting;
- incorrect settings for the front headlights;
- reflective systems;
- ...

### Activation

Turn ring **3** until the AUTO symbol is opposite mark **2**.

Push stalk **1** to activate the main beam headlights. The warning light  comes on on the instrument panel.

### Deactivation

- Move stalk **1** towards you again;
- or turn ring **3** to a position other than AUTO;
- or, depending on the vehicle, on the multifunction screen: select the “Vehicle” menu, followed by “Driving assistance”, “Automatic main beam lights”, then choose “OFF”.

Warning light  goes out on the instrument panel.



Using the portable navigation system at night in the windscreen area below the camera may disturb the operation of the “automatic main beam headlights” system (risk of reflection on the windscreen).

## EXTERIOR LIGHTING AND SIGNALS (3/5)

40004



### Operating faults

When the message “Check auto lighting” appears on the instrument panel, the system is deactivated.

Consult an approved dealer.

### Daytime running lights function

The daytime running lights come on automatically with no action on stalk **1** when the engine is started, and they go off once the engine is switched off.

### Operating faults

When the message “Check lighting” with warning light  is displayed

and warning light  flashes on the instrument panel, this indicates that there is a lighting fault.

Consult an approved dealer.

### Switching off the lights

There are two possibilities:

- manually, move ring **3** to position **0**;
- automatically, the lights will go out when the engine is switched off, the driver’s door is opened or the vehicle is locked. In this case, the next time the engine is started the lights will be switched back on according to the position of the ring **3**.

### Lights-on reminder buzzer

A warning beep sounds when the driver’s door is opened to warn you that the lights are still on.

## EXTERIOR LIGHTING AND SIGNALS (4/5)

### “See-me-home lighting” function

This function allows you to briefly switch on the dipped beam headlights (to provide light when opening a gate, etc.).

**With the engine and lights switched off and the ring 3 in position 0 or AUTO**, pull the stalk **1** towards you: the dipped beam headlights come on for approximately 30 seconds. To increase this duration, you may pull the stalk up to four times (total time limited to approximately 2 minutes). The message “Follow me home for \_ \_” along with the time the lights will be on for is displayed on the instrument panel to confirm this action. You can then lock your vehicle.

To switch off the lights before they go out automatically, turn ring **3** to any position, then return it to the **AUTO** position .

### Welcome and goodbye function

(depending on the vehicle)

Once the function is activated, the daytime running lights and the rear side light light up automatically upon detecting the RENAULT card or when the vehicle is unlocked.

They switch off automatically:

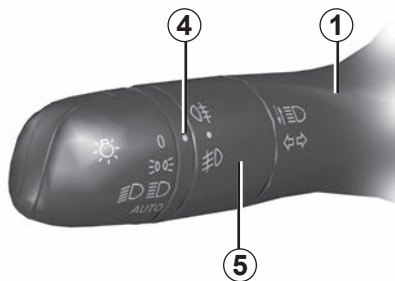
- approximately one minute after lighting up;
  - when starting the engine based on the position of the lighting stalk;
- or
- upon locking the vehicle.

### Activating/deactivating the function

From the multifunction screen, select menu “Vehicle”, “User settings” then “External welcome”. Choose “**ON**” or “**OFF**” to activate or deactivate the function.

## EXTERIOR LIGHTING AND SIGNALS (5/5)

40004



### Front fog lights

Turn centre ring **5** on the stalk **1** until the symbol faces mark **4**, then release it.

Operation of the fog lights depends on the exterior lighting position selected, and an indicator light will light up on the instrument panel.



### Rear fog lights

Turn centre ring **5** on the stalk until the symbol faces mark **4**, then release it.

Operation of the fog lights depends on the exterior lighting selected, and an indicator light will light up on the instrument panel.

Do not forget to switch off the fog lights when they are no longer needed, to avoid inconveniencing other road users.

### Switching off the lights

Turn the ring **5** again until the mark **4** is opposite the symbol for the fog light that you wish to switch off. The corresponding indicator light goes out on the instrument panel.

The fog lights switch off when the exterior lights are switched off.

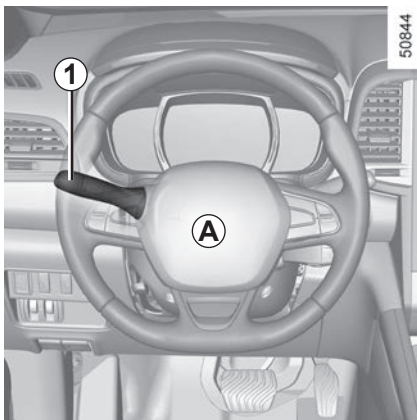
### Cornering lights

Whenever the dipped beam headlights are on and under certain conditions (at speed, the steering wheel at an angle, in forward gear, the indicator lights on, etc.), when taking a corner one of the front fog lights will come on to light the inside of the bend.

When driving in fog or snow, or when transporting objects which are higher than the roof, the headlights do not come on automatically.

Switching on the fog lights remains the responsibility of the driver: the indicator lights on the instrument panel inform you whether the fog lights are lit (indicator light on) or not (indicator light not on).

# AUDIBLE AND VISUAL SIGNALS



## Horn

Press the steering wheel boss **A** to activate the horn.

## Headlight flasher

Pull stalk **1** towards you to flash the headlights.

## Direction indicators

Move stalk **1** parallel to the steering wheel and in the direction you are going to turn it.

### One-touch mode

When driving, it is possible that the steering wheel may not be turned sufficiently to return the stalk automatically to its starting position.

In this case, briefly turn stalk **1** to the intermediate position, then release it: the stalk returns to its original point and the indicator light flashes three times.

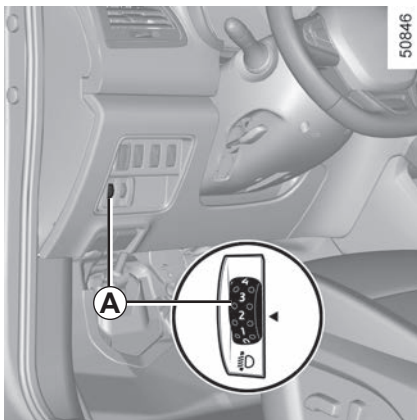


## Hazard warning lights

Press switch **2**. This switch activates all four direction indicators and the side indicator lights simultaneously. It must only be used in an emergency to warn drivers of other vehicles that you have had to stop in an area where stopping is prohibited or unexpected or that you are obliged to drive under special conditions.

Depending on the vehicle, the hazard warning lights may come on automatically under heavy deceleration. You can switch them off by pressing switch **2**.

## HEADLIGHT BEAM ADJUSTMENT (1/2)



On vehicles fitted with this function, control **A** allows you to adjust the height of the beams according to the load.

Turn control **A** downwards to lower the headlights and upwards to raise them.

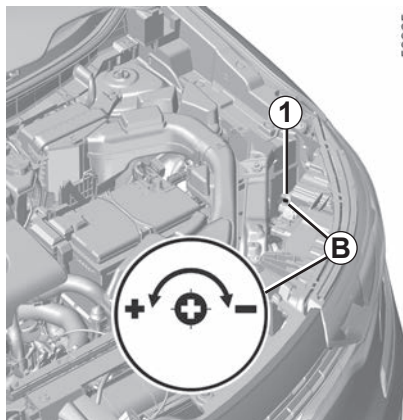
For vehicles not fitted with a control **A**, the headlight adjustment is automatic, depending on the vehicle load.

For manual settings	
Examples of positions for adjusting control <b>A</b> according to the load	
0	<b>Driver alone or with front passenger or with one front passenger and two or three rear passengers</b>
1~2	<b>Do not use</b>
3	<b>Driver with a full car of passengers, luggage or (load) reaching the maximum permissible all-up weight</b>
4	<b>Driver with a full car of luggage or (load) reaching the maximum permissible all-up weight</b>

The table below gives some examples. In all cases, adjust control **A** according to the vehicle load so that the road can be seen and other drivers are not dazzled.

## HEADLIGHT BEAM ADJUSTMENT (2/2)

When driving on the left in a left-hand drive vehicle (or vice versa), you must adjust your lights temporarily during your stay.



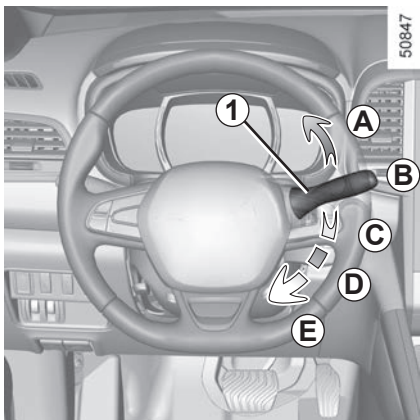
### Temporary adjustment for vehicles fitted with halogen headlights

Open the bonnet and identify the marking **B** next to one of the front headlight projectors.

For each headlight, using a screwdriver, turn the screw **1** by a quarter turn towards the - symbol to lower the beams.

Return to the starting point once your trip is over: turn the screw **1** by a quarter turn towards the + symbol to raise the beams.

# WINDSCREEN WASH, WIPE (1/6)



## Vehicle fitted with intermittent windscreen wipers

### A single sweep

A short push will trigger one sweep of the wipers.

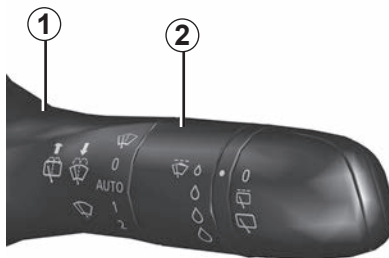
### B stop

### C intermittent wiping

The wipers will pause for several seconds between sweeps. It is possible to change the time between sweeps by turning ring 2.

### D slow continuous wiping

### E fast continuous wiping



## Special note

**When driving the vehicle**, the wiping speed slows down whenever the vehicle stops. For example, fast wiping speed will slow to normal wiping speed. As soon as the vehicle moves off, wiping will return to the speed originally selected.

If stalk **1** is operated, it overrides and cancels the automatic function.

Positions **A**, **C** and **D** are accessible with the ignition on. Position **E** is accessible only when the engine is running.

## Efficiency of a wiper blade

Check the condition of the wiper blades. How long they last depends on you:

- it must remain clean: clean the blades and the screen regularly with soapy water;
- do not use it when the screen is dry;
- free it from the screen when it has not been used for a long time.

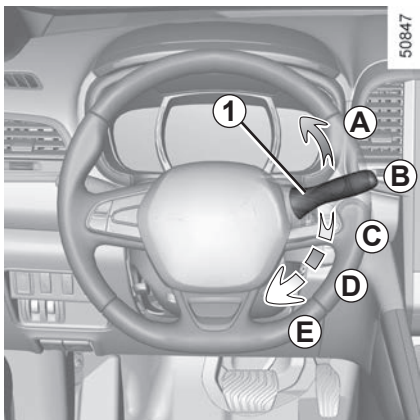
In any event, replace them as soon as they begin to lose efficiency: approximately every year (refer to the information on "Wiper blades: replacement" in section 5).

## Precautions for using the wipers

- In freezing or snowy weather, clear the screen before starting the wipers (risk of motor overheating);
- ensure that no objects are obstructing the travel of the blade.



## WINDSCREEN WASH, WIPE (2/6)



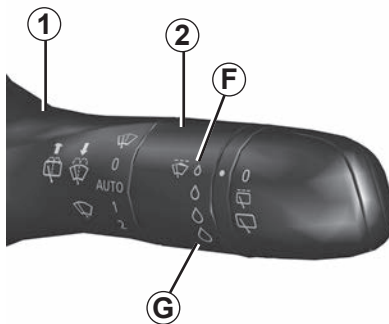
### Vehicle fitted with front windscreen wiper rain sensor

The rain sensor is located on the windscreen, in front of the interior rear-view mirror.

#### **A** single sweep

A short push will trigger one sweep of the wipers.

#### **B** stop



#### **C** automatic wiper function

When this position is selected, the system detects water on the windscreen and triggers the wipers at a suitable wiping speed. It is possible to change the triggering threshold and the time sweeps by turning ring 2:

- **F**: minimum sensitivity
- **G**: maximum sensitivity

The higher the sensitivity, the quicker the wipers will react and the faster the wipe.

When activating automatic wiping or when increasing sensitivity, one sweep of the blades is performed.

#### **Note:**

- the rain sensor is only intended as a driving aid. In the event of reduced visibility, the driver should manually activate the wipers;
- In foggy weather or during snowfalls, wiping is not automatically triggered and remains under the driver's control;
- in the event of temperatures below zero, automatic wiping is not activated when the vehicle is started. It is automatically activated as soon as the vehicle exceeds a certain speed (approximately 5 mph (8 km/h));
- do not activate automatic wiping in dry weather;
- fully de-ice the windscreen before activating automatic wiping.

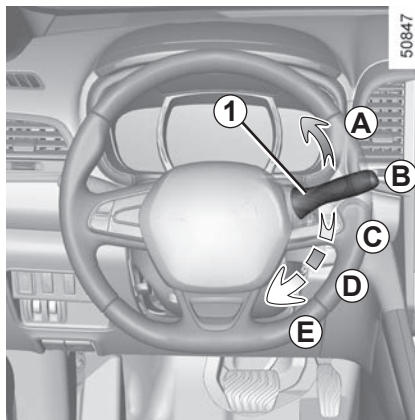
## WINDSCREEN WASH, WIPE (3/6)

### Operating fault

In the event of a malfunction of the automatic wiping, the wiper is set to intermittent wiping. Contact an authorised dealer.

The operation of the rain sensor can be disturbed in the event of:

- damaged wiper blades; a screen of water or traces left by a blade in the sensor's detection zone may increase the response time of the automatic wiper, or increase the wiping frequency;
- a windscreen with any chip or crack level with the sensor, or a windscreen covered in dust, dirt, insects, ice, the use of washing wax and water-repellent chemicals; the automatic wiping will be less sensitive, or even unresponsive.



**D** slow continuous wiping

**E** fast continuous wiping

Positions **A** and **D** are accessible with the ignition on. Positions **C** and **E** are accessible only with the engine running.

### Special note

**When driving the vehicle**, the wiping speed slows down whenever the vehicle stops. For example, fast wiping speed will slow to normal wiping speed. As soon as the vehicle moves off, wiping will return to the speed originally selected.

If stalk **1** is operated, it overrides and cancels the automatic function.

### Precautions

- In the event of ice, check whether the blades are stuck to the windscreen before operating the wiping mechanism. If you activate the wipers while the blades are stuck down with ice, you may risk damaging both the blade and the wiper motor.
- Do not activate the wipers on a dry screen. This will lead to the premature wear or damage to the blades.

## WINDSCREEN WASH, WIPE (4/6)

### Specific front wiper position (service position)

This position enables the blades to be lifted to remove them from the windscreen.

It may be useful to:

- to clean the blades;
- to release the blades from the windscreen in winter;
- replace the blades (please refer to the information on “Wiper blades” in Section 5).

With the ignition on and the engine off, lower the windscreen wiper stalk fully (fast continuous wipe position). The wiper arms stop in a position away from the bonnet.

To return the blades to position, make sure they have been placed on the windscreen, then move the stalk to position **B** (stop) with the ignition on.

Before switching on the ignition, place the wipers on the windscreen. Otherwise, there may be a risk of damage to the bonnet or the wipers when they are switched on.

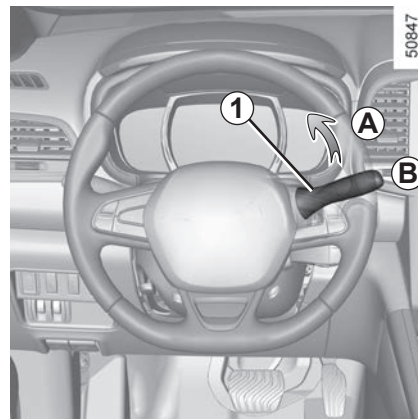
### Note:

Once the wipers have been switched off, at least 1 minute after locking the vehicle, it is possible to manually move the blades. Do not force the blade arms to move. This may risk damage to the wiper motor, the arms and the blades.

After your intervention, to reposition the blades correctly, make sure the blades are resting on the windscreen, switch on the ignition and activate the wiper control.

In the event of obstacles present on the windscreen (dirt, snow, ice, etc.), clean the windscreen (including the central area located behind the interior rear-view mirror) and the rear screen before starting the wipers (risk of motor overheating).

If an object is preventing a blade from moving, it may stop functioning. Remove the obstacle and reactivate the wiper using the wiper stalk.



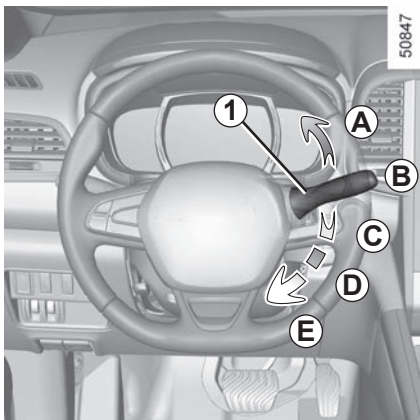
The blade on the driver's side must always be above the passenger-side blade. If this is not the case, a quick sweep of the windscreen wipers should be performed once the vehicle is travelling at over 4 mph (7 km/h).



Before any action involving the windscreen (washing the vehicle, de-icing, cleaning the windscreen, etc.) return stalk **1** to position **B** (stop).

Risk of injury and/or damage.

## WINDSCREEN WASH, WIPE (5/6)



### Windscreen washer

**With the ignition on**, pull stalk **1** then release.

A brief pull will trigger a single sweep of the wipers, in addition to the windscreen washer.

A longer pull will trigger three sweeps of the wipers followed, a few seconds later, by a fourth, in addition to the windscreen washer.

### Note:

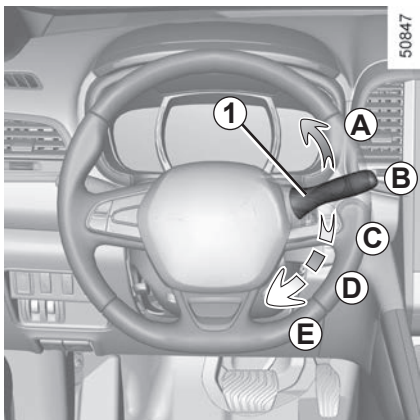
In temperatures below zero, the washer liquid risks freezing to the windscreen, thereby reducing visibility. Heat the windscreen using the demister control before cleaning.



When working in the engine compartment, ensure that the windscreen wiper stalk is in position **B** (stop).

Risk of injury.

## WINDSCREEN WASH, WIPE (6/6)



### Headlight washers

#### Headlights on

On equipped vehicles, hold stalk **1** pulled towards you for about 2 seconds - the headlight washers and windscreen washers will be activated at the same time.

The headlight washers are also activated after three prolonged movements on the front windscreen washer control.

#### Note:

To ensure the headlight washers operate correctly in winter, remove snow from the jet trims and de-ice the jet trims using an aerosol de-icer.

You are recommended to regularly remove dirt encrusted on the headlight glass.

When the minimum windscreen washer fluid level is reached, the headlight washer system may be deprimed.

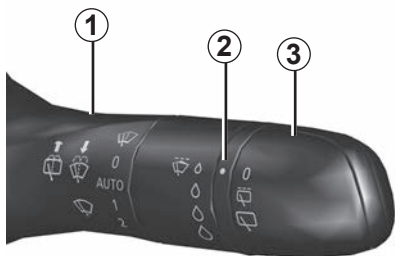
Fill the windscreen washer fluid and then activate the windscreen washer, **with the engine running**, to reprime the system.



When working in the engine compartment, ensure that the windscreen wiper stalk is in position **B** (stop).

Risk of injury.

## REAR SCREEN WASH, WIPE (1/2)



### Rear screen wiper

With the ignition on, turn ring **3** on stalk **1** to align the symbol with mark **2**.

- **stop;**
- **intermittent wiping.**  
The wipers will pause for several seconds between sweeps. Wiping frequency varies with vehicle speed;
- **slow continuous wiping.**

To stop the operation, pivot ring **3** again.

#### Note:

When washing using a roller type car wash, return the ring **3** on the stalk **1** to the stop position to deactivate automatic wiping.

Follow usage recommendations.



Before any action involving the rear screen (washing the vehicle, de-icing, cleaning, etc.) return stalk **1** to the stop position.

Risk of injury and/or damage.

### Efficiency of a wiper blade

Check the condition of the wiper blades. How long they last depends on you:

- it must remain clean: clean the blades and the screen regularly with soapy water;
- do not use it when the screen is dry;
- free it from the screen when it has not been used for a long time.

In any event, replace them as soon as they begin to lose efficiency: approximately every year (refer to the information on "Wiper blades: replacement" in section 5).

### Precautions for using the wipers

- In freezing or snowy weather, clear the screen before starting the wipers (risk of motor overheating);
- ensure that no objects are obstructing the travel of the blade.

Do not use the wiper arm to open or close the tailgate.

## REAR SCREEN WASH, WIPE (2/2)

### Activation/deactivation of the rear screen wiper

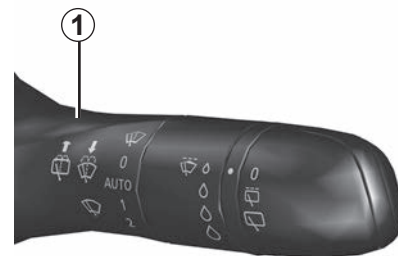
(depending on the vehicle)

Engaging reverse gear triggers intermittent wiping (if the front wipers are in operation). If your vehicle is fitted with a vehicle settings customisation menu, you can opt to activate or deactivate this function. To do this, refer to the information on the “Vehicle settings customisation menu” in Section 1; “Rear wiping in reverse gear”.

In the event of obstacles present on the rear window (dirt, snow, etc.), the wiper will try to sweep away all the obstacles. If an obstacle prevents the blade from moving, it can be stopped. Remove the obstacle, wait for around 30 seconds and reactivate the wiper using the wiper stalk.

### Precautions

- In the event of ice, check whether the blades are stuck to the windscreen before operating the wiping mechanism. If you activate the wiper while the blade is blocked by ice, you risk damaging both the blade and the wiping motor.
- Do not activate the wipers on a dry screen. This will lead to the premature wear or damage to the blades.



39142

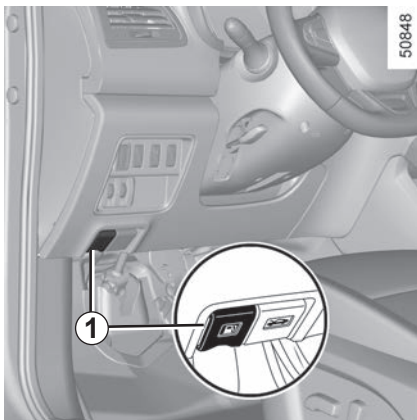


### Rear screen wash/wipe

With the ignition on, push and hold stalk **1**, then release.

A longer action will trigger three sweeps of the wipers followed, a few seconds later, by a fourth, in addition to the windscreen washer.

## FUEL TANK (1/3)

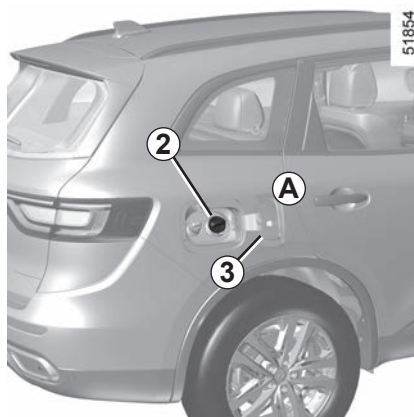


### Useful capacity of tank:

– Approximately **60 litres** for all models;

To open the cover **A**, pull the control **1**. Use the cap holder **3** on the flap **A** during filling to hold the cap **2** in place.

After filling, check that the cap and cover are closed.



### Fuel grade

**Use a high-grade fuel** that complies with the legislation in force in each country and which **must** comply with the specifications given on the label on the cover **A**. Please refer to the information on “Engine specifications” in Section 6.

### Petrol version

It is **essential** to use unleaded petrol. The octane rating (RON) must comply with the information given on the label on the cover **A**. Refer to Section 6 for information on “Engine specifications”.

### Diesel version

**Only** use diesel fuel which complies with the information on the label located inside the cover **A**.



Do not mix even small amounts of petrol (unleaded or E85) with diesel.

Do not use ethanol-based fuel if your vehicle is not compatible with this fuel.

Do not add additive to the fuel – otherwise you risk damaging the engine.





### **Filler cap: this is specific.**

If you have to replace it, make sure it is identical to the original cap. Contact an approved Dealer.

Never place the cap near a source of heat or flame.

Do not wash the filler area with a high-pressure washer.

### **Filling with fuel**

With the ignition off, insert the nozzle and insert it **fully** before turning it on to fill the fuel tank (risk of splashing).

Keep the nozzle in this position throughout the entire filling operation.

When the pump cuts out automatically at the end of the filling procedure, a maximum of two further filling attempts may be made, as there must be sufficient space in the fuel tank to allow for expansion.

Make sure that no water enters the tank during filling. The cover **A** and its surround must remain clean.

### **Petrol versions**

Using diesel fuel will damage the anti-pollution system and may lead to a loss of warranty.

To ensure that the fuel tank is not filled with diesel fuel, the fuel tank filler neck consists of a restrictor fitted with a safety system which **only allows a nozzle for petrol to be used** (at the pump).

Fuel types that conform to European standards with which the engines of vehicles sold in Europe are compatible: refer to the “Engine specifications” in section 6.

### **Vehicle fitted with the Stop and Start function**

To fill up with fuel, the engine must be stopped (and not on standby): stop the engine (please refer to the information on “Starting and stopping the engine” in Section 2).

## FUEL TANK (3/3)

### Running out of fuel on diesel versions

#### Vehicles with key/remote control

- Put the ignition key in “ON” position (please see the information on the “Ignition switch” in Section 2) and wait for a few minutes before starting, to enable the fuel circuit to be primed;
- turn the key to “START”. If the engine does not start, repeat the procedure.
- If the engine does not start after several attempts, please contact an authorised dealer.



#### Vehicles with RENAULT card

With the card **RENAULT** in the passenger compartment, press the start button **4** without pressing any of the pedals. Wait a few minutes before starting. This will enable the fuel circuit to be primed. If the engine does not start, repeat the procedure.

If the engine does not start after several attempts, please contact an authorised dealer.



No modifications whatsoever are permitted on any part of the fuel supply system (electronic units, wiring, fuel circuit, injectors, protective covers, etc.) as this may be dangerous (unless undertaken by qualified Network personnel).



#### Persistent fuel odour

If you notice a persistent fuel odour you should:

- stop the vehicle as soon as traffic conditions allow and switch off the ignition;
- switch on the hazard warning lights and ask your passengers to leave the vehicle and stay clear of the traffic;
- contact an approved Dealer.

## REAGENT TANK (1/4)

Please ensure that you comply with the legislation of your country.

It is important to remember that failure to respect regulations in force could lead to legal action being taken against the vehicle owner.

### Operating principle

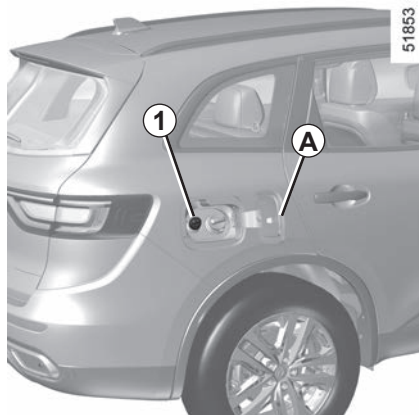
The reagent is intended for diesel engines fitted with the SCR (selective catalytic reduction) system.

Using a reagent reduces the quantity of nitrogen oxides in exhaust gases.

Reagent consumption in real time depends on vehicle usage conditions, the equipment fitted, and driving style.

### Reagent quality

Use **only reagents which conform to standard ISO 22241** and in accordance with the mark on the tank filler cap.



### Filling

**Useable capacity of the tank: 3.52 gallons (16 liters)** approximately.

With the ignition switched off, open the cover **A**, then unscrew the cap **1**.

**Note:** Ammonium hydroxide vapour may escape from the cap opening when the tank temperature is high.

### Vehicle fitted with the Stop and Start function

To fill up with reagent, the engine must be stopped (and not on standby); stop the engine (please see "Starting, stopping the engine" in Section 2).



If the "XXX MILES (XXX KM) Failure Top up AdBlue" message appears, fill the reagent tank and refer to the filling instructions.

**Risk of immobilisation of the vehicle.**



**Filler cap: this is specific.**

If you have to replace it, make sure it is identical to the original cap. Contact an approved Dealer. Do not wash the filler area with a high pressure washer.

## REAGENT TANK (2/4)

### Precautions for use

The tank can be filled at the pump. In other cases, it is essential to read the information shown on the reagent container (e.g. the can or bottle).

When filling, **handle the reagent carefully. They can damage clothes, shoes, bodywork components etc.**

If the reagent overflows, or contaminates any paintwork, clean the affected area quickly with plenty of cold water and a soft cloth.

**Note:** If the reagent crystallises, use a soft sponge.



The reagent must not come into contact with eyes or skin. If it does, wash the affected area with plenty of cold water. If necessary, consult a doctor.

### In extreme cold weather conditions

**In frosty weather conditions, the reagent tank should be refilled when the**




indicator and the message "Top up AdBlue before 1200 km" appear on the instrument panel.

### Special cases

The reagent fluid freezes below about -10°C.

In these conditions, do not attempt filling when the fluid is frozen. In the event of needing to top up or fill the tank

with reagent ( on), park the vehicle in a hotter location if possible so that the reagent becomes liquid again. Otherwise, have a qualified professional top up or fill up with reagent fluid.

After filling the reagent tank, check that the cap and cover are closed, start the engine and **WAIT 10 seconds with the vehicle stationary, engine running** before setting off again.

If this operation is not carried out, the filling of the tank will not be taken into account automatically until after several dozens of minutes of driving.

The message "--- Top up AdBlue" and/or the warning lights will continue to appear until the filling has been registered by the system.






No work whatsoever is permitted on any part of the system. To prevent damage, only qualified personnel from our network may work on the system.

# REAGENT TANK (3/4)

## Maintenance/Range







The information displayed on the instrument panel may be accompanied by a beep.

Indicator lights	Message	What to do?
–	“AdBlue Level Correct”	–
–	“Top Up AdBlue before 2400 km”	When the message is displayed when the ignition is switched on, you have <b>less than 1,488 miles (2,400 km) range</b> . Fill or have an Approved Dealer <b>fill or top up the reagent</b> in the tank.
 comes on.	“Top up AdBlue before 1200 km”	When the message is displayed when the ignition is switched on, you have <b>between 744 miles (1,200 km) and 496 miles (800 km) range</b> . Fill or have an Approved Dealer <b>fill or top up the reagent</b> in the tank.
 comes on.	“XXX MILES (XXX KM) Failure Top up AdBlue”	The message is displayed when the ignition is switched on and is repeated: <ul style="list-style-type: none"> <li>– Approximately every 62 miles (100 km), you have <b>between about 496 miles (800 km) and 124 miles (200 km) range</b>;</li> <li>– Approximately every 31 miles (50 km), you have <b>less than 124 miles (200 km) range</b>.</li> </ul> In any event, fill or have an Approved Dealer <b>fill the reagent tank as soon as possible</b> .
 comes on.	“0 MILES (0 KM) Failure Top up AdBlue”	<b>The engine will not start.</b> To restart, you must fill the reagent tank yourself.

# REAGENT TANK (4/4)

## System fault

When the indicator lights light up, this may be accompanied by a beep.

Indicator lights	Message	Readings
 and  come on.	"Check anti-pollution system"	Indicates a fault in the system. Contact your approved dealer as soon as possible.
 and  come on.	"XXX MILES (XXX KM) Failure antipollution"	Indicates a system fault and that in <b>less than 496 miles (800 km) it will become impossible to restart the vehicle.</b> These warnings are repeated: <ul style="list-style-type: none"><li>– Every 62 miles (100 km) until there is <b>around 124 miles (200 km) left</b> before the vehicle cannot be restarted;</li><li>– Every 31 miles (50 km) when there is <b>less than 124 miles (200 km) left</b> before the vehicle cannot be restarted.</li></ul> Contact your approved dealer as soon as possible.
 and  come on.	"0 KM Failure antipollution"	Indicates that after the ignition is switched off <b>the vehicle will not restart.</b> Call an approved Dealer.

# **Section 2: Driving**

## ***(Advice on use relating to fuel economy and the environment)***

Running in, Ignition switch . . . . .	2.2
Starting, stopping the engine: vehicle with key/remote control unit. . . . .	2.4
Starting, stopping the engine: vehicle with RENAULT card. . . . .	2.5
Stop and Start function . . . . .	2.10
Special features of petrol versions . . . . .	2.14
Special features of diesel versions . . . . .	2.15
Gear lever . . . . .	2.16
Parking brake, Electronic parking brake . . . . .	2.17
ECO driving . . . . .	2.21
Maintenance and anti-pollution advice . . . . .	2.26
Environment . . . . .	2.27
Tyre pressure loss warning . . . . .	2.28
Driver correction devices/aids . . . . .	2.31
Transmission: 4-wheel drive (4WD) . . . . .	2.35
Active emergency braking . . . . .	2.39
Lane departure warning. . . . .	2.50
Fatigue detection warning . . . . .	2.53
Blind spot warning . . . . .	2.55
Safe distance alert. . . . .	2.59
Speeding alert . . . . .	2.62
Speed limiter . . . . .	2.65
Cruise control . . . . .	2.68
Adaptive cruise control . . . . .	2.72
Parking sensor. . . . .	2.80
Reversing camera . . . . .	2.85
Assisted parking . . . . .	2.87
Automatic gearbox. . . . .	2.93
Emergency call . . . . .	2.96

# RUNNING IN

## Petrol version

For the first **600 miles** (1,000 km), do not exceed 78 mph (130 km/h) in the highest gear, or 3,000 to 3,500 rpm.

You may only expect top performance from your vehicle after approximately **1,800 miles (3,000 km)**.

**Service intervals:** refer to the Maintenance Document for your vehicle.

## Diesel version

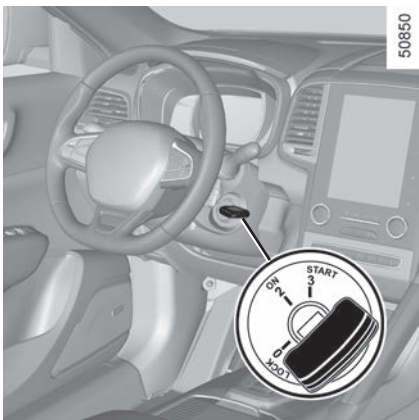
For the first **1,000 miles (1,500 km)**, do not exceed 80 mph (130 km/h) in the highest gear, or 2,500 rpm. After completing this mileage you may drive faster, although you may only expect top performance after approximately 3,600 miles (6,000 km).

During the running in period, do not accelerate hard while the engine is still cold and do not let the engine over-rev.

**Service intervals:** refer to the Maintenance Document for your vehicle.



# IGNITION SWITCH: vehicle with key



## Ignition switch

### “Stop and steering lock” position 0.

To lock: remove the key and turn the steering wheel until the steering column locks.

To unlock: turn the key and the steering wheel slightly.

### Ignition position 2.

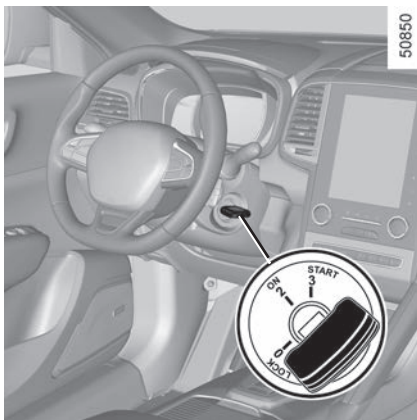
The ignition is switched on:

### Start position 3.

If the engine fails to start at the first attempt, the key must be turned back before the starter can be activated again. Release the key as soon as the engine starts.

**Note:** on diesel versions, several seconds may pass between turning the key and the engine starting to allow for engine preheating.

# STARTING, STOPPING THE ENGINE: vehicle with key



## Starting the engine

### Petrol versions

- Activate the starter **without accelerating**;
- release the key as soon as the engine starts.



Never start your vehicle while freewheeling on a gradient. Risk of non-activation of power-assisted steering.

There is a risk of accidents.



### Diesel versions

- Turn the ignition key to the “Ignition on” position **2**, and hold this position until the engine pre-heating light goes off;
- turn the key to starter position **3** **without depressing the accelerator pedal**;
- release the key as soon as the engine starts.

**Special note:** if starting the engine when the outdoor temperature is very low (below -10°C): hold down the clutch pedal until the engine starts.



Never switch off the ignition before the vehicle has stopped completely. Once the engine has stopped, the brake servo, power-assisted steering, etc. and the passive safety devices such as air bags and pretensioners will no longer operate.

## Stopping the engine

With the engine idling, turn the key to the “Stop” position **0**.



### Driver's responsibility when parking or stopping the vehicle

Never leave an animal, child or adult who is not self-sufficient alone in your vehicle, even for a short time.

They may pose a risk to themselves or to others by starting the engine, activating equipment such as the electric windows or locking the doors, for example.

Also, in hot and/or sunny weather, please remember that the temperature inside the passenger compartment increases very quickly.

**RISK OF DEATH OR SERIOUS INJURY.**

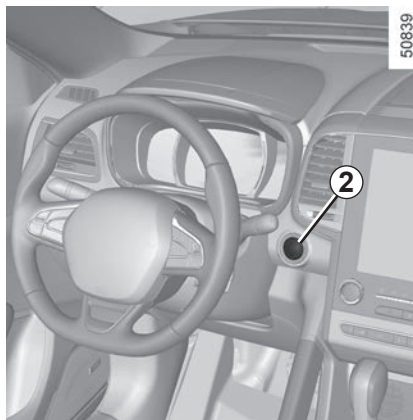
## STARTING, STOPPING THE ENGINE: vehicle with RENAULT CARD (1/5)



The RENAULT card must be inserted in detection zone **1**.

To start:

- vehicles with an automatic gearbox, place the lever in position **P**, depress the brake pedal and press button **2**;
- vehicles with a manual gearbox, depress the brake or clutch pedal and press the button **2**. If a gear is engaged, the vehicle may only be started by depressing the clutch pedal.



### Special features

- If one of starting conditions is not applied, the message “Press brake + START” or “Press clutch + START” or “Select P” is displayed on the instrument panel;
- in some cases, it will be necessary to move the steering wheel while pressing the start button **1** to assist in unlocking the steering column. A message on the instrument panel “Turn steering wheel + START” warns of this.

### “Hands-free” starting with the tailgate open

In this case, the RENAULT card should not be located in the boot, to avoid any risk of loss.



#### Driver's responsibility when parking or stopping the vehicle

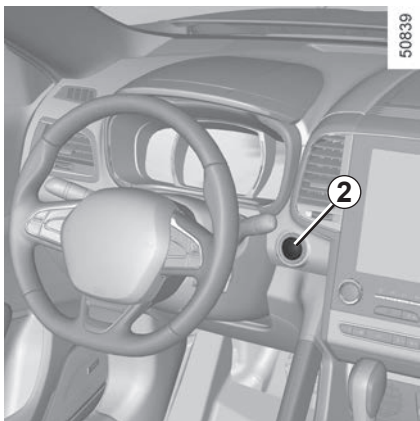
Never leave an animal, child or adult who is not self-sufficient alone in your vehicle, even for a short time.

They may pose a risk to themselves or to others by starting the engine, activating equipment such as the electric windows or locking the doors, for example.

Also, in hot and/or sunny weather, please remember that the temperature inside the passenger compartment increases very quickly.

**RISK OF DEATH OR SERIOUS INJURY.**

## STARTING, STOPPING THE ENGINE: vehicle with RENAULT CARD (2/5)

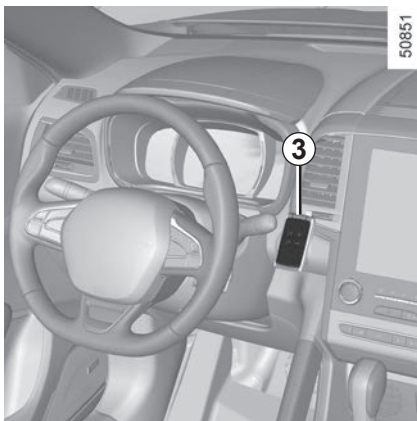


### Accessories function

(switching on the ignition)

Once you have gained access to your vehicle, you may use some of its functions (radio, navigation, wipers, etc.).

To use the other functions, with the RENAULT card in the passenger compartment, press button **2** without pressing the pedals.



### Operating faults

In certain cases, the RENAULT “hands-free” card may not work:

- when the RENAULT card battery is drained, etc.;
- near to appliances operating on the same frequency as the card (monitor, mobile phone, video game, etc.);
- vehicle located in a high electromagnetic radiation zone.

The message “Place card close START and push” appears on the instrument panel.

Depress the brake or clutch pedal, then place the RENAULT **3** card (logo side) in contact with the start button **2** for around 2 seconds. Press the **2** button to start the vehicle. The message goes out.



Never switch off the ignition before the vehicle has stopped completely. Once the engine has stopped, the brake servo, power-assisted steering, etc. and the passive safety devices such as air bags and pretensioners will no longer operate.

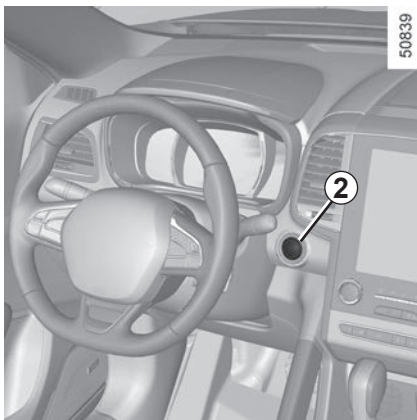


Never leave your vehicle with the RENAULT card in the reader or in the passenger compartment while there is a child (or an animal) in the vehicle, even for a short while.

They may pose a risk to themselves or to others by starting the engine.

Risk of serious injury.

## STARTING, STOPPING THE ENGINE: vehicle with RENAULT CARD (3/5)



### Conditions for stopping the engine

The vehicle must stationary, with the lever positioned in **N** or **P** for vehicles with an automatic transmission.

With the RENAULT card in the vehicle, press the **2** button: the engine will stop. The steering column is locked when the driver's door is opened or the vehicle is locked.

If the RENAULT card is no longer in the passenger compartment or if the card battery is low when you try to switch the engine off, the message "No key-card Press and hold" appears on the instrument panel: press the button **2** for longer than two seconds. If the card is no longer in the passenger compartment, make sure you can retrieve it before pressing and holding the button. Without the RENAULT card, you will not be able to restart the vehicle.

With the engine switched off, any accessories being used (radio, etc.) will continue to function for approximately 10 minutes.

When the driver's door is opened, the accessories stop working.



Never switch off the ignition before the vehicle has stopped completely. Once the engine has stopped, the brake servo, power-assisted steering, etc. and the passive safety devices such as air bags and pretensioners will no longer operate.



When you leave your vehicle, especially if you have your RENAULT card with you, check that the engine is completely switched off.



### Driver's responsibility when parking or stopping the vehicle

Never leave an animal, child or adult who is not self-sufficient alone in your vehicle, even for a short time.

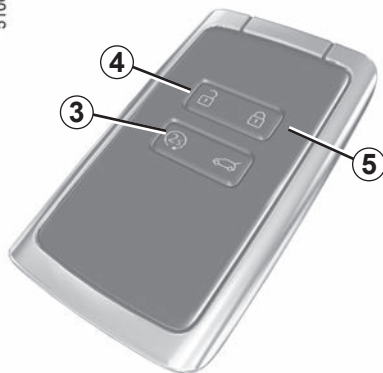
They may pose a risk to themselves or to others by starting the engine, activating equipment such as the electric windows or locking the doors, for example.

Also, in hot and/or sunny weather, please remember that the temperature inside the passenger compartment increases very quickly.

**RISK OF DEATH OR SERIOUS INJURY.**

## STARTING, STOPPING THE ENGINE: vehicle with RENAULT CARD (4/5)

51006



### Remote engine start-up

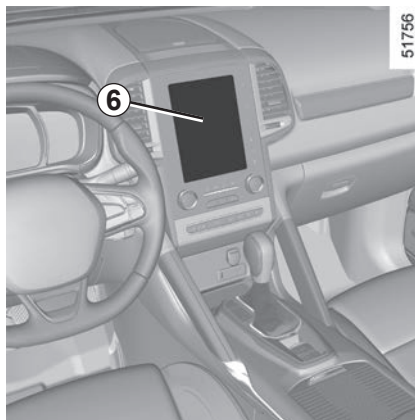
#### Activation

If the vehicle is equipped with it, press the unlocking button **4** briefly, in a duration lower than 5 seconds, then press the remote start button **3** twice for about 3 seconds each time. If there is a problem, consult an approved Dealer as soon as possible.

#### Operation

This function allows to remote starting of the engine.

To do this, press the locking button **5**, followed by the remote start button **3** for about 3 seconds. Flashers turn on about 3 seconds.



51756

Depending on the vehicle, the configuration and the programming are done using the multimedia display **6**. Refer to the multimedia instructions for your vehicle.

The range for the remote engine start-up varies according to the surroundings:

- Obstacles closed to buildings (ships), walls or the other vehicles, etc;
- Vehicle in an area with strong electromagnetic radiations;
- The key or Renault card of battery low.

This function also allows to program the engine to start, in order to heat or ventilate the passenger compartment up to 24 hours before using the vehicle.

The level of heat comfort (temperature, defrost) set up before the setting the program.

Depending on the country, the engine will be running during 5 or 10 minutes.

Once the engine started, it will be possible to add additional 5 or 10 minutes by pressing again the remote start button **3**.

## STARTING, STOPPING THE ENGINE: vehicle with RENAULT CARD (5/5)

The remote engine start-up operates:

- the lever is in neutral for vehicles with a manual or sequential gearbox;
- the lever is in position **P** for vehicles with an automatic gearbox;
- the ignition is off and no key is inserted into the ignition switch;
- the bonnet is closed;
- all of the opening elements (doors and luggage compartment) are closed and locked when you leave the vehicle;
- in very cold weather conditions, the remote engine start-up by programming may not operate;
- If the vehicle is equipped with an automatic transmission, after the stop of the engine or an attempt failed the remote engine start-up, wait 10 seconds to make a new attempt.

If one of the conditions is not respected, flashers will turn on during approximately 3 seconds.

**Note:** In some rare case, the engine can be stopped just after engine start by remote engine start-up. In this case, remote engine start-up is available and driver can try to use again.

If the engine is stopped continuously, consult an approved Dealer as soon as possible.



Do not use the engine remote start-up function or its programming when:

– the vehicle is in a garage or in a confined space.

**Risk of poisoning or suffocation by exhaust gas emissions.**

– the vehicle is covered with a protective cover.

**Fire hazard.**

– the bonnet is open or before it opens.

**Risk of burns or serious injury.**

**Depending on the country, the use of the remote starting function or its programming can be prohibited by the legis**

**lation and/or the regulations in force.**

**Before using this function, check the legislation and/or the regulations for the country in force.**

**Special feature of vehicles equipped with the “wake up every 2 hours” function**

It is imperative to drive at least 10 minutes between each use of the function. If you use this function, there are risk of degradation of the engine oil.

Refer to the multimedia instructions for your vehicle.

## STOP AND START FUNCTION (1/4)

This system enables a reduced fuel consumption and lower greenhouse gas emissions.

The system is activated automatically when the vehicle is started.

While driving, the system stops the engine (standby) when the vehicle is at a standstill (traffic jam, traffic lights, etc).

### Conditions for engine standby


The vehicle has set off from where it was parked;

#### For automatic gearboxes:


- the gearbox is in position D, M or N;
- and
- the brake pedal is pressed (sufficiently hard);
- and
- the accelerator pedal is not pressed;
- and
- the speed is zero for around 1 second.

The engine remains on standby if position P is selected, or if position N is selected with the parking brake engaged and the brake pedal released.

#### For manual gearboxes:

- the gearbox is in neutral;
- and
- the clutch pedal is released. If the warning light  blinks, this means that the clutch pedal is not sufficiently released;
- and
- the vehicle speed is less than approximately 7 mph (3 km/h).

#### For all vehicles:

Warning light  on the instrument panel appears when the engine is on standby.


The vehicle equipment remains operational while the engine is stopped.

If the engine stalls while the system is in operation, the clutch pedal is pressed slightly and then the engine will start it again.



The ignition must be switched off before leaving the vehicle (please see section on “Starting, stopping the engine”).



Keep your vehicle stationary when the engine is on standby (shown by the warning light  on the instrument panel).



If the engine is put in standby, the electronic parking brake (depending on the vehicle) is not applied automatically.



Engine on standby - braking assistance is no longer operational.



## STOP AND START FUNCTION (2/4)

### Preventing the standby of the engine

In certain situations, such as a crossroads for instance, it is possible (with the system activated) to keep the engine running so as to be ready to move off quickly.

#### Automatic gearbox:

Keep the vehicle stationary with pressing the brake pedal slightly.

#### Manual gearbox:

Keep the clutch pedal pressed right down.

### Conditions for coming out of the engine standby


#### For automatic gearboxes:

- the brake pedal is released, position D or M engaged or,
- the brake pedal is released, position N engaged and the parking brake off, or
- the brake pedal is pressed again, with position P engaged or position N engaged with the parking brake applied, or
- position R is engaged or,
- the accelerator pedal is pressed or,
- in manual mode, the gear lever is moved towards + or -.

#### For manual gearboxes:

- the gearbox is in neutral and the clutch pedal is slightly depressed

**Special note:** depending on the vehicle, if you switch off the ignition when the engine is on standby, the warning

light  is displayed for a few seconds on the instrument panel.

To fill up with fuel, the engine must be stopped (and not on standby): always stop the engine (please see “Starting, stopping the engine”).

## STOP AND START FUNCTION (3/4)

### Conditions for preventing the standby of the engine


Certain conditions prevent the system from using the engine standby function, including when:

#### for vehicles equipped with a RENAULT card:

- the driver's door is not closed;
  - the driver's seatbelt is not fastened;
- #### for all vehicles:

- reverse gear is engaged;
- the bonnet is not locked;
- the outdoor temperature is too low or too high;
- the battery is not sufficiently charged;
- if available, "4WD Lock" mode is activated (please see the section "Transmission: 4-wheel drive (4WD)" in Section 2);
- the difference between the vehicle interior temperature and the automatic climate control instruction is too high;

- parking distance control is in operation;
  - for vehicles with automatic gearboxes, the gradient is steeper than approximately 12%;
  - the "Clear View" function is activated (please see "Automatic Climate Control" in Section 3);
  - the engine temperature is too low or high;
  - the emission control system is being regenerated;
- or
- ...

Warning light  is displayed on the instrument panel. This notifies you that engine standby is not available.



Deactivate the Stop and Start function when performing any operations in the engine compartment.

### Special cases for vehicles with a RENAULT card

With the engine on standby (traffic jam, traffic lights, etc.), if the driver unfastens the seat belt and opens the driver's door, or gets out of the seat, the ignition is switched off.

The assisted parking brake is applied automatically.

To restart and reactivate the Stop and Start system, start the engine (please refer to "Starting, stopping the engine" in Section 2).

### Special cases of vehicles with a key

With the engine on standby (traffic jam, traffic lights, etc.), if you get out of the vehicle, a beep warns you that the engine is on standby and has not been stopped.



After engine standby, even driver takes off the vehicle, it could be restarted. Please check the safety before you leave.

## STOP AND START FUNCTION (4/4)

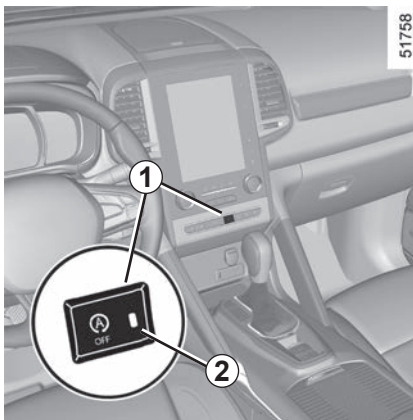
### Special feature of the automatic engine re-start

Under certain conditions, the engine can restart on its own in order to guarantee your safety and comfort.

This can occur especially when:

- the outdoor temperature is too low or too high;
- the “Clear View” function is activated (please see “Automatic Climate Control” in Section 3);
- the battery is not sufficiently charged;
- the vehicle speed is above 3 mph (5 km/h) (downhill slope, etc.);
- repeated pressing on the brake pedal or braking system requirement;
- ...

**Special feature of vehicles with a key:** for some of these conditions the automatic restarting of the engine is inhibited if a front door is open.



### Deactivating, activating the function

Press switch **1** to deactivate the function. The message “Stop & Start deactivated” will appear on the instrument panel and the integrated warning light **2** on the switch will light up.

Pressing again will reactivate the system. The message “Stop & Start activated” will appear on the instrument panel and the integrated warning light **2** on switch **1** will go out.

Note: With the engine on standby, press switch **1** to automatically restart the engine.

The system is automatically reactivated each time the vehicle is started (see “Stop and Start function” in Section 2).

### Operating faults

When the message “Check Stop & Start” appears on the instrument panel and the integrated warning light **2** lights up on the switch **1**, the system is deactivated.

Please consult an authorised dealer.



Before getting out of the vehicle, you must switch off the ignition (please see section on “Starting, stopping the engine” in section 2).

## SPECIAL FEATURES OF PETROL VERSIONS

The following operating conditions:

- driving for long periods when the low fuel level warning light is lit;
- using leaded petrol;
- using fuel or lubrication additives which are not approved.

Or operating faults such as:

- faulty ignition system, running out of fuel or disconnected spark plugs resulting in the engine misfiring or cutting out when driving;
- loss of power,

as they may cause the catalytic converter to overheat and thus reduce its efficiency, **or damage it irreparably and cause heat damage to the vehicle.**

If you notice any of the above operating faults, have the necessary repairs carried out as soon as possible by an approved Dealer.

These faults may be avoided by regularly taking your vehicle to an approved Dealer at the intervals specified in the Maintenance document.

### Starting problems

To avoid damaging the catalytic converter, **do not keep** trying to start the engine (using the start button, or by pushing or towing the vehicle) **without having identified and corrected the starting fault.**

If the fault cannot be identified, do not keep trying to start the engine, but contact an approved Dealer.





Do not park the vehicle or run the engine in locations where combustible substances or materials such as grass or leaves can come into contact with the hot exhaust system.

# SPECIAL FEATURES OF DIESEL VERSIONS

## Diesel engine speed

Diesel engines are fitted with injection equipment **which prevents the engine speed being exceeded** irrespective of the gear selected.

If the message “Check antipollution system” is displayed along with warn-

ing lights  and , consult an authorised dealer immediately.

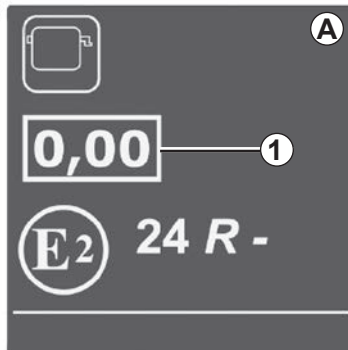
When driving, depending on the fuel grade used, it is possible that white smoke may be emitted.

This is due to the exhaust particle filter being cleaned automatically, and does not affect the way the vehicle runs.

## Running out of fuel

If the **tank has been completely drained**, the system must be reprimed after the tank is refilled: see information on the “fuel tank” in section 1 before re-starting the engine.

43218



## Engine smoke opacity label

You will find **1** information on the **A** label stuck inside the engine compartment.

**1** Diesel exhaust emissions.

## Precautions to be taken in winter

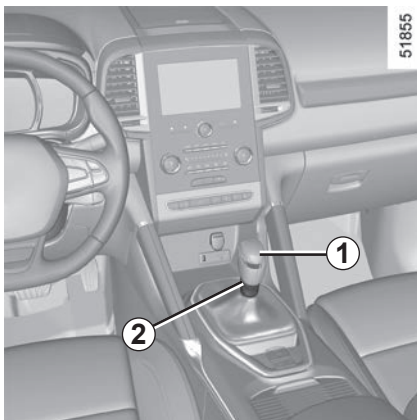
To avoid any faults in icy weather:

- ensure that the battery is always fully charged,
- always keep the diesel tank relatively full to avoid water vapour condensing in it and accumulating at the bottom of the tank.



Do not park the vehicle or run the engine in locations where combustible substances or materials such as grass or leaves can come into contact with the hot exhaust system.

## GEAR LEVER



### Gear lever

**Vehicles with manual gearbox:** refer to the grid on the gear lever knob **1**.

**Vehicles with an automatic gearbox:** refer to the information on the "Automatic gearbox" in Section 2.

### Selecting reverse gear

The ring **2** has to be lifted up to the gear lever knob to select reverse gear.

The reversing lights will come on as soon as reverse gear is selected with the ignition on.



An impact to the underside of the vehicle while manoeuvring (e.g.: striking a post, raised kerb or other street furniture) may result in damage to the vehicle (e.g.: deformation of an axle).

To avoid any risk of accident, have your vehicle checked by an approved Dealer.

# PARKING BRAKE



## Parking brake

### To release:

Depress the parking brake **1** firmly.

The red warning light on the instrument panel will come on if you are driving with an incorrectly released parking brake.

### To apply:

Depress the parking brake **1** firmly. Check that the vehicle is immobilised.

The warning light  on the instrument panel will come on.



Make sure that the parking brake is properly released when driving (red indicator light off), otherwise overheating, or even damage, may occur.

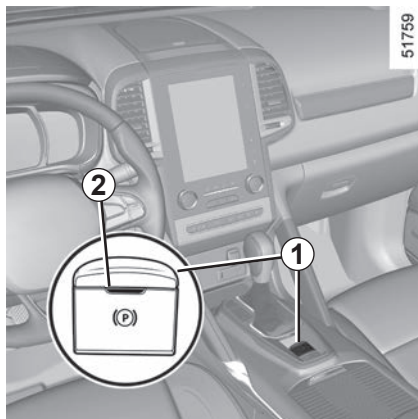
## ELECTRONIC PARKING BRAKE (1/3)


### Assisted operation


The assisted parking brake immobilises the vehicle when **stopping the engine (and not when the engine is on standby for vehicles fitted with the Stop and Start function)**. Please refer to “Starting, stopping the engine” and “Stop and Start function” in Section 2.

In all other instances, e.g. engine stalling, the electronic parking brake is not applied automatically. Manual mode must be used.

For certain country-specific model versions, the assisted brake application function is not activated. Refer to the information on “Manual operation”.



To confirm that the electronic parking brake is applied, the message “Parking brake on” and warning light  on the instrument panel and warning light **2** on the switch **1** light up.

After the engine is switched off, indicator light **2** goes out several minutes after the electronic parking brake has been applied and indicator light  goes out when the vehicle is locked.

### Note:

To indicate that the electronic parking brake is released, a beep sounds and the message “Apply parking brake” appears on the instrument panel:

- with the engine running: when the driver’s door is opened;
- with the engine switched off (eg. when the engine stalls): when a front door is opened.


In this case, pull and release switch **1** to apply the assisted parking brake.

### Assisted release of the parking brake

The brake will be released as soon as the vehicle starts and accelerates.

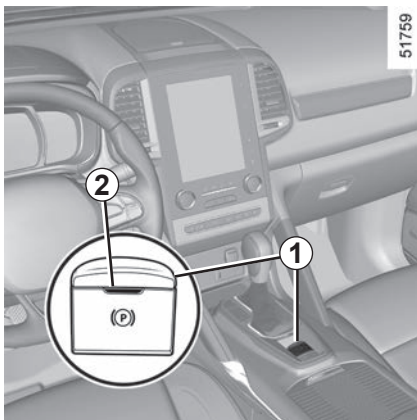


Before leaving the vehicle, check that the assisted parking brake is fully applied. Warning light **2** on

switch **1** and warning light  on the instrument panel light up to show that the parking brake is applied but go out when the doors are locked.




## ELECTRONIC PARKING BRAKE (2/3)




### Manual operation

You can control the electronic parking brake manually.

### Applying the electronic parking brake

Pull switch **1**. Warning light **2** and warning light  on the instrument panel light up.

### Releasing the electronic parking brake

With the ignition on, depress the brake pedal then press switch **1**: warning light **2** and warning light  go out.

### Brief stop

To manually activate the electronic parking brake, (when stopping at a red light, or stopping when the engine is running, etc.): pull and release switch **1**. The brake is released as soon as the vehicle is started up again.

### Special cases

To park on a slope or while towing a trailer, for example, pull switch **1** for a few seconds to gain the maximum braking.

To park the vehicle without applying the electronic parking brake (if there is a risk of freezing, for example):

- with the engine running, while simultaneously depressing the brake pedal and the switch **1**, stop the engine (not standby for vehicles fitted with Stop and Start);
- with a gear or position **P** engaged, release the brake pedal and the switch **1**.

For vehicles fitted with a Stop and Start function, with the engine on standby, the electronic parking brake is automatically activated if the driver unfastens their seat belt and opens the driver's door or gets out of their seat.



Special feature relating to the Stop and Start function: in the event of unfastening the driver's seat belt **before** the engine goes to standby using the Stop and Start function, make sure the parking brake is engaged:

warning light  will come on the instrument panel to confirm this.

**Risk of loss of immobilisation.**

## ELECTRONIC PARKING BRAKE (3/3)



In the event of message “Electric failure DANGER” or “Check battery”, manually activate the electronic parking brake by pulling switch **1** (or position the gear lever in **P** for automatic gearboxes) before stopping the engine.

Risk of loss of immobilisation of the vehicle.

Contact an authorised dealer.



If no lights or sounds are apparent, this indicates a fault in the instrument panel. This indicates that it is essential to stop immediately (as soon as traffic conditions allow). Ensure that the vehicle is correctly immobilised and contact an approved Dealer.

### Versions with an automatic gearbox



For safety reasons, automatic release is deactivated when the driver's door is open or not shut properly and the engine is running (in order to prevent the vehicle from moving without the driver). The “Release parking brake manually” message appears on the instrument panel when the driver depresses the accelerator.





Never leave your vehicle without moving the selector lever to position **P**. This is because when the vehicle is stationary with the engine running and a gear engaged, the vehicle may begin to move if you accelerate.

**There is a risk of accidents.**

### Operating faults

– If there is a fault, the  warning light illuminates on the instrument panel accompanied by the “Check parking brake” message and, in some cases, the  warning light.

Please contact an authorised dealer as soon as possible.

– If there is an assisted parking brake fault, the warning light  comes on, along with the message “Braking system fault”, a beep and, in some cases, the warning light .

This means that you must stop as soon as traffic conditions allow.



It is therefore essential to immobilise the vehicle by engaging first gear (manual gearbox) or position **P** (automatic gearbox). If the slope requires it, chock the vehicle.

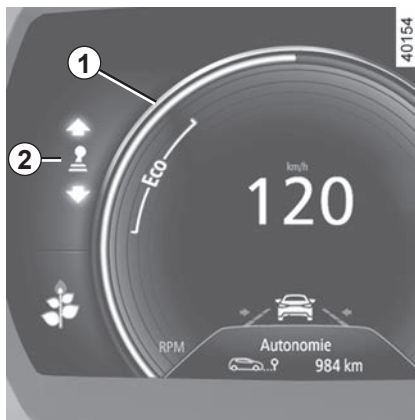
## DRIVING ADVICE, ECO-DRIVING (1/5)

Fuel consumption is accredited in accordance with a standard regulatory method. Identical for all manufacturers, this enables vehicles to be compared with one another. Consumption in real time depends on vehicle usage conditions, the equipment fitted and the user's driving style. To optimise fuel consumption, please refer to the following advice.

Depending on the vehicle, you will have various functions which enable you to lower your fuel consumption:

- the rev counter;
- gear change indicator;
- the driving style indicator;
- the journey record and eco-driving advice via the multimedia screen;
- ECO mode.

If fitted on the vehicle, the navigation system provides additional information.



### On the instrument panel

The information display can be organised and customised based on the instrument panel customisation style selected from the multimedia screen.

### Rev counter with ECO zone 1


Driving in the ECO zone helps you optimise fuel consumption under most circumstances.



### Gear change indicator 2

Depending on the vehicle, to obtain optimum consumption levels, a warning light on the instrument panel lets you know the best time to move up or down a gear:

 or + : move up a gear;

 or - : move down a gear.

If you regularly follow this indicator, you will reduce your vehicle's fuel consumption.

## DRIVING ADVICE, ECO-DRIVING (2/5)



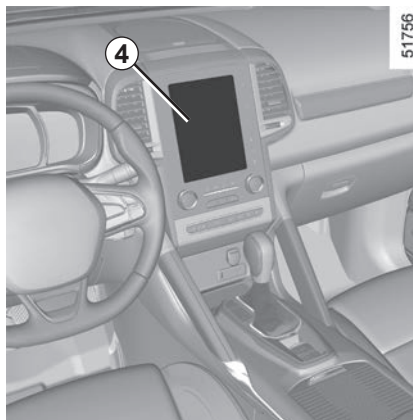
### Driving style indicator 3

Informs you about the driving style adopted in real time. You will be notified by indicator **3**.

The more petals there are on indicator **3**, the smoother and more economical your driving.

If you regularly monitor this indicator, you will reduce your vehicle's fuel consumption.

To **activate/deactivate** the driving style indicator, please see the multimedia system instructions.



### On the multifunction screen

#### Journey record

Once the engine is switched off, you will see "Journey record" displayed on the screen **4**, enabling you to view information relating to your last journey.

This indicates:

- average fuel consumption;
  - number of miles/kilometres travelled;
  - number of miles/kilometres saved.
- This corresponds to driving without fuel consumption (deceleration and/or foot off the accelerator pedal).

An overall rating from 0 to 100 is displayed to let you assess your eco driving performance. The higher the rating, the lower the fuel consumption.

Eco advice is given to help improve your performance.

With your favourite journeys saved, you can compare your performance between trips and the performance of other vehicle users.

For more information, please see the multimedia system instructions.

## DRIVING ADVICE, ECO-DRIVING (3/5)

### ECO mode

ECO mode is a function which optimises fuel consumption. It acts upon certain power consuming systems in the vehicle (heating, air conditioning, power-assisted steering, etc.) and on certain driving actions (acceleration, gear changing, cruise control, deceleration, etc.).

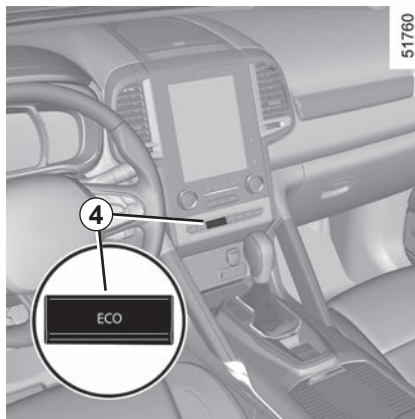
Limiting acceleration enables low fuel consumption in urban and surrounding areas. When ECO mode is in use, it is normal to notice a change in heating level.

### Activating the function

The function can be activated:

- by pressing switch **4**.
- Depending on the vehicle, from the navigation menu on the multimedia screen (please refer to the multimedia instructions).

The warning light **ECO** comes on on the instrument panel to confirm activation.



While driving, it is possible to leave the ECO mode temporarily in order to improve engine performance.

For this, depress the accelerator pedal firmly and fully.

ECO mode is reactivated when you take pressure off the accelerator pedal.

### Disabling the function

Press switch **4**.

The warning light **ECO** goes out on the instrument panel to confirm deactivation.

## DRIVING ADVICE, ECO-DRIVING (4/5)



### Driving advice, Eco-driving

#### Behaviour

- Drive carefully for the first few miles until the engine reaches its normal operating temperature, rather than let it warm up while the vehicle is stationary.
- Speed is expensive.
- Dynamic driving with a lot of frequent acceleration and braking is expensive on fuel in comparison to the time saved.

- Do not overrev the engine in the intermediate gears.  
You should always use the highest gear possible.
- Avoid sudden acceleration.
- Brake as little as possible. If you anticipate an obstacle or bend in advance, you may then simply release the accelerator pedal.
- Do not try to maintain the same speed up a hill, accelerate no more than you would on flat ground. Keep your foot in the same position on the accelerator pedal.
- Double declutching and accelerating before switching off are unnecessary in modern vehicles.

- Bad weather, flooded roads:



Do not drive through floods if the water is above the lower edge of the wheel rims.

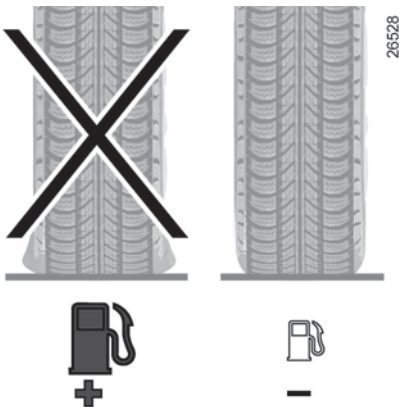


#### **Obstructions to the driver**

On the driver's side, only use mats suitable for the vehicle, attached with the pre-fitted components, and check the fitting regularly. Do not lay one mat on top of another.

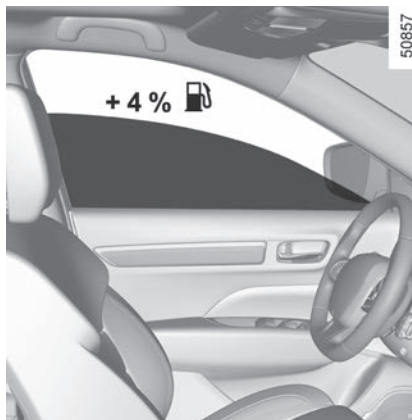
**There is a risk of wedging the pedals**

## DRIVING ADVICE, ECO-DRIVING (5/5)



### Tyres

- An underinflated tyre increases fuel consumption.
- Opt for the highest speed pressure or the pressure recommended to optimise fuel consumption indicated on edge of the driver's door (please refer to the information on "Tyre inflation pressure" in Section 4).
- The use of non-recommended tyres can increase fuel consumption.



### Advice on use

- Favour the ECO mode.
- Electricity is fuel; switch off all the electrical components which are not really needed. **However** (safety first), keep your lights on when the visibility is bad ("see and be seen").
- Use the air vents. Driving with the windows open at 60 mph (100 km/h) will increase fuel consumption by 4%.
- Never fill the fuel tank right to the brim to avoid overflow.

- In vehicles fitted with air conditioning, it is normal to observe an increase in fuel consumption (especially in urban conditions) when it is used. For vehicles fitted with manual air conditioning, switch off the system when it is not required.

### Recommendations for reducing consumption and therefore helping to preserve the environment:

If the vehicle has been parked in the sun, open the doors for a few moments to let the hot air escape before starting the engine.

- Do not leave an empty roof rack fitted to the vehicle.
- It is better to fit a trailer for bulky objects.
- When towing a caravan, fit a wind deflector and adjust it carefully.
- Avoid using the car for door-to-door calls (short journeys with long waits in between) because the engine never reaches its normal operating temperature.

## MAINTENANCE AND ANTIPOLLUTION ADVICE

Your vehicle complies with criteria for recycling and recovering vehicles at the end of their service life, which will come into force in 2015.

Some of the parts on your vehicle have been designed to be recycled later.

These parts are easily removable in order to be collected and reprocessed in recycling networks.

Furthermore, by virtue of its design, moderate fuel consumption and initial settings, your vehicle also conforms to current anti-pollution regulations. The manufacturer is actively striving to reduce pollutant exhaust gas emissions and to save energy. However, the fuel consumption of your vehicle and the level of pollutant exhaust gas emissions are also your responsibility. Ensure that it is maintained and used correctly.

### Maintenance

It is important to remember that failure to respect anti-pollution regulations could lead to legal action being taken against the vehicle owner.

In addition, replacing engine, fuel supply system and exhaust components with parts other than those originally recommended by the manufacturer may alter your vehicle so that it no longer complies with anti-pollution regulations.

Have your vehicle adjusted and checked by an authorised dealer, in accordance with the instructions given in your maintenance schedule: they will have all the equipment necessary for ensuring that your vehicle is maintained to its original standard.

### Engine adjustments

- **Air filter, fuel filter:** a choked element will reduce efficiency. It must be replaced.
- **Idle speed:** no adjustment is needed.

### Exhaust gas monitoring system

The exhaust gas monitoring system will detect any operating faults in the vehicle's antipollution system.

If this system malfunctions, toxic substances may be released into the atmosphere or damage may occur.



This warning light on the instrument panel will indicate if there are any faults in the system:

This lights up when the ignition is switched on and goes out when the engine is started.

- If it lights up continuously, consult an approved Dealer as soon as possible;
- if it flashes, reduce the engine speed until the light stops flashing. Contact an authorised dealer as soon as possible.



## ENVIRONMENT

Your vehicle has been designed with respect for the **environment** in mind for its entire service life: during production, use and at the end of its life.

This commitment is illustrated by the Renault eco<sup>2</sup> signature.

### Manufacture

Your vehicle has been manufactured at a factory which complies with a policy to reduce the environmental impact on the surrounding areas (reduction of water and energy consumption, visual and noise pollution, atmospheric emissions and waste water; sorting and re-using waste).

### Emissions

Your vehicle has been designed to emit fewer greenhouse gases (CO<sub>2</sub>) while in use, and therefore to consume less fuel (eg. 140 g/km, equivalent to 5.3 l/100 km for a diesel vehicle).

Our vehicles are also equipped with a particle filter system including a catalytic converter, an oxygen sensor and an active carbon filter (the latter prevents vapour from the fuel tank being released into the open air).

For certain diesel vehicles, this system also has a particle filter to reduce the volume of soot particles emitted.

### Please make your own contribution towards protecting the environment too

- Worn parts replaced in the course of routine vehicle maintenance (vehicle battery, oil filter, air filter, batteries, etc.) and oil containers (empty or filled with used oil) must be disposed of through specialist organisations.

- At the end of the vehicle's service life, it should be sent to approved centres to ensure that it is recycled.
- In all cases, comply with local legislation.

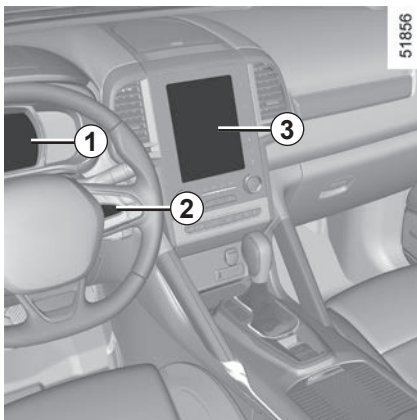
### Recycling

Your vehicle is 85% recyclable and 95% recoverable.

To achieve these objectives, many of the vehicle components have been designed to enable them to be recycled. The materials and structures have been carefully designed to allow these components to be easily removed and reprocessed by specialist companies.

In order to preserve raw material resources, this vehicle incorporates numerous parts made from recycled plastics or renewable materials (vegetable or animal-derived materials such as cotton or wool).

# TYRE PRESSURE MONITORING SYSTEM (1/3)



If the vehicle is equipped with the function, this system monitors the tyre pressure.

## Operating principle

Each wheel (except for the emergency spare wheel) has a sensor in the inflation valve which periodically measures the tyre pressure.

The system displays the current pressures on the instrument panel **1** and alerts the driver in the event of insufficient pressure.

## Resetting the standard level for the tyre pressures

This should be done:

- when the standard tyre pressure needs to be changed to adapt to usage conditions (empty, carrying a load, motorway driving, etc.);
- after swapping a wheel (however this practice is not recommended);
- after changing a wheel.

It should always be done after checking the tyre pressure of all four tyres when cold.

Tyre pressures must correspond to the current usage of the vehicle (empty, carrying a load, motorway driving, etc.).

Resetting can also be done from the multifunction screen **3** if your vehicle is fitted with a navigation system. Select the menu “Vehicle”, “Tyre pressure”.

## Resetting procedure

With the ignition on:

- repeatedly and briefly press control **2** to select the tyre pressure display and the “Tyre pressure” function;
- press and hold (around 3 seconds) the button **2** to launch the reset. The flashing tyres followed by the messages “Learning TP initiated” and then “Tyres location in progress” indicates that the reset request for the tyre pressure reference value has been acknowledged.

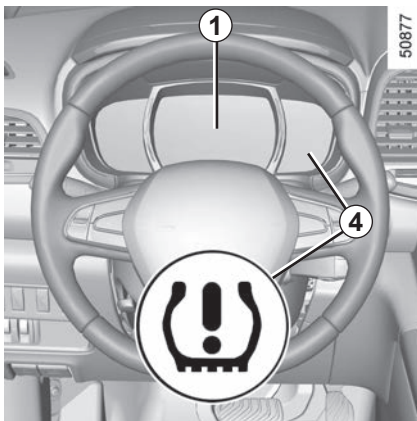
Reset can take several minutes of driving.

If the resetting is followed by short trips, the message “Tyres location in progress” can remain displayed after successive restarts.


## Note

The standard tyre pressure cannot be less than that recommended and indicated on the door frame.

# TYRE PRESSURE MONITORING SYSTEM (2/3)




## Display

The display **1** and the warning light **4**  on the instrument panel warn you of any tyre pressure faults (flat tyre, punctured tyre, system fault, etc.).



For your safety, the warning light **STOP** requires you to stop immediately as soon as traffic conditions allow.

## « Adjust tyre pressure »

A wheel **B** is shown in orange, the warning light **4**  comes on and the message “Adjust tyre pressure” appears.

They indicate that a wheel is deflated. Check and, if necessary, readjust the pressures of the four wheels when cold.


The warning light **4**  goes off after a few minutes' driving.

The sudden loss of pressure in a tyre (burst tyre, etc.) cannot be detected by the system.



23491


## « Puncture »


A wheel **B** is shown in red, the warning light **4**  comes on, the message “Puncture” appears and there is a beep. This message appears along with the **STOP** warning light.

They indicate that the affected wheel is punctured or severely underinflated. Replace it or contact an approved dealer if it is punctured. Top up the tyre pressure if the wheel is deflated.

## “Check tyre pressure sensors”

A wheel **A** disappears, the warning

light **4**  flashes for several seconds then comes on continuously and the message “Check tyre pressure sensors” appears.

This message appears along with the  warning light. They indicate that at least one wheel is not fitted with sensors (e.g. emergency spare wheel). Otherwise, consult an authorised dealer.

# TYRE PRESSURE MONITORING SYSTEM (3/3)

## “Tyres location failure”

This message “Tyres location failure” appears when driving if one or more wheels have been fitted with sensors not recognised by Renault.

Consult an approved dealer

## Readjustment of tyre pressures

**The tyre pressures should be adjusted when cold** (please refer to the label located on the edge of the driver’s door). If the tyre pressures cannot be checked when the tyres are cold, the recommended pressures should be increased by 0.2 to 0.3 bar (3 PSI).  
**Never deflate a hot tyre.**

## Replacing wheels/tyres

This system requires specific equipment (wheels, tyres, hubcaps, etc.). Please see the information on “Tyres” in Section 5.

Contact an approved Dealer to fit new tyres and to find out about available accessories compatible with the system and available from your dealer network: the use of any other accessory could affect the correct operation of the system or damage a sensor.

## Emergency spare wheel

If the vehicle is equipped with an emergency spare wheel, it will not have a sensor.

## Tyre repair product and inflation kit

Because the valves are specially designed, only use equipment approved by the approved network. Please refer to “Tyre inflation kit” in Section 5.



### Changing a wheel

The system may take several minutes depending on use for the new wheel positions and pressures to be recognised; check the tyre pressures after all operations.



This function is an additional driving aid. However, the function is not intended to replace the driver. It cannot, therefore, under any circumstances replace the vigilance or the responsibility of the driver. Check the tyre pressures, including the emergency spare wheel, once a month.

## DRIVING CORRECTION DEVICES AND AIDS (1/4)

Depending on the vehicle, they will consist of:

- **ABS (anti-lock braking system)**;
- **ESC (electronic stability control) with understeer control and traction control**;
- **emergency brake assist**;
- **hill start assistance**.



These functions are an additional aid in the event of critical driving conditions, enabling the vehicle behaviour to be adapted to suit the driving conditions.

The functions do not take the place of the driver. **They do not increase the vehicle's limits and should not encourage you to drive more quickly.** Therefore, they can under no circumstances replace the vigilance or responsibility of the driver when manoeuvring the vehicle (the driver must always be ready for sudden incidents which may occur when driving).

### ABS (anti-lock braking system)







Under heavy braking, the ABS prevents the wheels from locking, allowing the stopping distance to be managed and keeping control of the vehicle.

Under these circumstances, the vehicle can be steered to avoid an obstacle whilst braking. In addition, this system can increase stopping distances, particularly on roads with low surface grip (wet ground etc.).

You will feel a pulsation through the brake pedal each time the system is activated. The ABS does not in any way improve the vehicle's physical performance relating to the road surface and roadholding. It is still **essential** to follow the rules of good driving practice (such as driving at a safe distance from the vehicle in front etc.).


In an emergency, apply **firm and continuous pressure** to the brake pedal. There is no need to pump it repeatedly. The ABS will modulate the force applied in the braking system.

### Operating faults:

-  and  lit up on the instrument panel alongside messages “Check ABS”, “Check braking system” and “Check ESC”: indicates the ABS, ESC and emergency brake assist are deactivated. **Braking is always enabled**;
-    and  lit up on the instrument panel alongside the message “Braking system fault”: **this indicates a fault in the braking system.**

In both cases, consult an approved dealer.



Warning light  requires you to stop immediately, for your own safety, as soon as traffic conditions allow. Switch off the engine and do not restart it. Contact an approved Dealer.



Your braking systems are partially operational. However, it is **dangerous to brake suddenly** and it is essential to stop immediately, as soon as traffic conditions allow. Contact an approved dealer.

## DRIVING CORRECTION DEVICES AND AIDS (2/4)

### Electronic stability control ESC with understeer control and traction control

#### Electronic stability control ESC

This system helps you to keep control of the vehicle in critical driving conditions (avoiding an obstacle, loss of grip on a bend, etc.).

#### Operating principle

A sensor in the steering wheel detects the direction selected by the driver.

Other sensors throughout the vehicle measure the actual direction.

The system compares driver input to the actual trajectory of the vehicle and corrects the trajectory if necessary by controlling the braking of certain wheels and/or engine power. In the event that the system is engaged, indicator light



flashes on the instrument panel.

#### Understeer control

This system optimises the action of the ESC in the case of pronounced understeer (loss of front axle road holding).

#### Traction control

This system helps to limit wheelspin of the drive wheels and to control the vehicle when pulling away accelerating or decelerating.

#### Operating principle

Using the wheel sensors, the system measures and compares the speed of the drive wheels at all times and slows down their over-rotation. If a wheel is starting to slip, the system brakes automatically until the drive supplied becomes compatible with the level of grip under the wheel again.

The system also adjusts the engine speed to the grip available under the wheels, independently of the pressure exerted on the accelerator pedal.

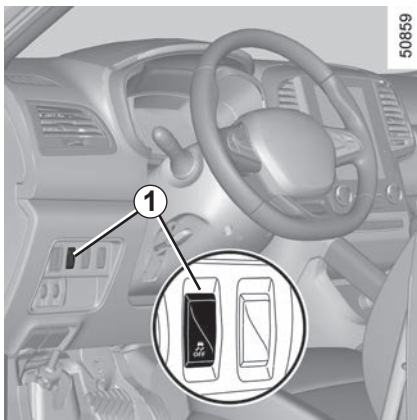
#### Operating faults

When the system detects an operating fault the message "Check ESC" and

warning light  and  appear on the instrument panel.

In this case, the ESC and traction control system are deactivated. Consult an authorised dealer.

## DRIVING CORRECTION DEVICES AND AIDS (3/4)



### Deactivating the function

(depending on vehicle)

In some situations (driving on very wet ground: snow, mud, etc. or driving with snow chains fitted), the system may reduce the engine output to limit wheel-spin. If this is not required, it is possible to deactivate the function by pressing switch **1**.

The message “ESC off” is displayed on the instrument panel to inform you.

The traction control system offers additional safety. It is recommended that you do not drive with the function disabled. Correct this as soon as possible by pressing the switch **1** again.

**Note:** The function is reactivated automatically when the ignition is switched on or when a speed of approximately 24 mph (40 km/h) is exceeded.

### Emergency brake assist

This system supplements the ABS and helps reduce vehicle stopping distances.

#### Operating principle

The system detects an emergency braking situation. In this case, the braking assistance immediately develops maximum power and may trigger ABS regulation. ABS braking is maintained as long as the brake pedal is not released.

#### Hazard warning lights illumination

Depending on the vehicle, these may light up in the event of sudden deceleration.



These functions are an additional aid in the event of critical driving conditions, enabling the vehicle behaviour to be adapted to suit the driving conditions.

The functions do not take the place of the driver. **They do not increase the vehicle's limits and should not encourage you to drive more quickly.** Therefore, they can under no circumstances replace the vigilance or responsibility of the driver when manoeuvring the vehicle (the driver must always be ready for sudden incidents which may occur when driving).

## DRIVING CORRECTION DEVICES AND AIDS (4/4)

### Hill start assistance

Depending on the gradient of the incline, this system assists the driver when starting on a hill. It prevents the vehicle from rolling backwards by automatically applying the brakes when the driver lifts his/her foot off the brake pedal to depress the accelerator pedal.

### System operation

It only operates when the gear lever is in a position other than neutral (other than **N** or **P** for automatic transmissions) and the vehicle is completely stationary (brake pedal depressed). The system holds the vehicle for approximately **2 seconds**. The brakes are then released (the vehicle will move according to the slope).



The hill start assistance system cannot completely prevent the vehicle from rolling backwards in all situations (extremely steep gradients, etc.).

In all cases, the driver may depress the brake pedal to prevent the vehicle from rolling backwards.

The hill start assistance function should not be used for prolonged stops: use the brake pedal.

This function is not designed to immobilise the vehicle permanently.

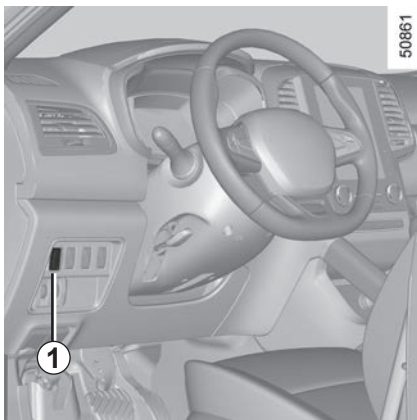
If necessary, use the brake pedal to stop the vehicle.

The driver must remain particularly vigilant when driving on slippery or low-grip surfaces.

**Risk of serious injury.**



## TRANSMISSION: 4-wheel drive (4WD) (1/4)



Remember that driving a vehicle off-road is very different to driving it on the road.

To make the most of your vehicle in an off-road situation, we recommend that you are trained to drive a 4x4 (4WD) vehicle.

The safety of both you and your passengers is your responsibility, and depends on your skill and the care you take when driving off-road.

### Mode selector

Depending on the road conditions, turning the selector **1** enables the following modes to be selected:

- AUTO;
- 2WD;
- 4WD Lock.

### “AUTO” mode

To activate this mode, turn selector 1 to the “AUTO” position.

### Operating principle

“AUTO” mode automatically distributes the engine torque between the front and rear axles according to the road conditions and the vehicle speed. This position optimises roadholding. Use this mode on any type of road (dry, snow-covered, slippery, etc.) or when towing (trailer or caravan).

The warning light **4WD AUTO** on the instrument panel will come on.

### “2WD” mode

To activate this mode, turn the selector **1** to the “2WD” position. The warning light **2WD** on the instrument panel will come on.

### Operating principle


The “2WD” mode uses the front wheels only. Use this mode on dry roads with good grip.

To deactivate this mode, turn the selector **1** to the “AUTO” position. Warning light **2WD** goes out on the instrument panel.

## TRANSMISSION: 4-wheel drive (4WD) (2/4)

### “4WD Lock” mode

To activate this mode, turn selector **1** to the “4WD Lock” position. The selector returns to the “AUTO” position. The



 indicator light will light up on the instrument panel.

### Operating principle

“4WD Lock” mode distributes the engine torque between the front and rear axles in order to optimise the performance capacity of the vehicle in off-road situations. This mode should only be used in extreme driving conditions (mud, steep slopes, sand).

To deactivate this mode, turn selector **1** to the “4WD Lock” position again. The warning light goes out on the instrument panel.

**Note:** If the vehicle speed exceeds approximately 24.8 mph (40 km/h) in “4WD Lock” mode, the system automatically switches back to “AUTO” mode.

The  warning light goes out and the  warning light comes on.

### Special features of the 4-wheel drive transmission


The vehicle may make more noise when the “AUTO” or “4WD Lock” modes are activated. This is normal. If the system detects a difference in the dimensions of the front and rear wheels (eg. underinflation, severe wear on an axle), the system automatically switches to “2WD” mode.

The message “4WD unavailable unsuitable tyres” is displayed on the instrument panel. Drive as soon as possible at a moderate speed to an approved dealer.

This problem may be resolved by changing the tyres. Always use four identical tyres (same brand, profile, etc.) and with similar wear.

In the event of excessive wheelspin, the mechanical components may overheat.

If this happens:

- at first, the  warning light comes on. “4WD Lock” mode is still active – however, we recommend that you stop as soon as possible to allow the system to cool down (until the warning light goes out);
- if the wheels still spin, the system automatically switches to “2WD” mode to protect the mechanical components.

The message “4WD overheating” is displayed on the instrument panel. The mode cannot be changed while the message is displayed.

## TRANSMISSION: 4-wheel drive (4WD) (3/4)

After stopping the engine, the system may take up to five minutes to cool down.

If the system detects excessive wheel-spin on the front wheels, it adapts the engine to run in a way that reduces wheelspin.

### Anti-lock braking in LOCK mode

When “4WD Lock” mode is active, the ABS switches to off-road mode. In this case, the wheels may lock intermittently to achieve better grip, thus reducing braking distances on soft ground. When this mode is active:

- the vehicle’s manoeuvrability is limited during braking. This operating mode is therefore not recommended in very low-grip conditions (eg. ice).
- there may be some noise. This is normal, and does not indicate an operating fault.

### Electronic stability program and traction control when driving off-road

When driving on soft ground (sand, mud, deep snow), we recommend that you deactivate the ESC function by pressing the “ESC” switch.

In this case, only individual wheel braking remains active. This function applies the brake to any wheel that is slipping, allowing the engine torque to be transferred to the wheels with the most grip. This is particularly useful when crossing a bridge.

All the ESC functions will be reactivated when the vehicle speed reaches approximately 31 mph (50 km/h) (24.8 mph [40 km/h] in 4WD Lock mode), when the engine is restarted or when the “ESC” switch is pressed again.

## Operating faults

If the system detects an operating fault, it automatically switches to “2WD” mode. The message “Check 4WD” is displayed on the instrument panel, and

the  and  warning lights come on.

Drive as soon as possible at a moderate speed to an approved dealer.

For certain operating faults, the system may not be able to switch to “2WD” or “4WD Lock” mode. “AUTO” mode remains active.

Contact an approved dealer as soon as possible.

## TRANSMISSION: 4-wheel drive (4WD) (4/4)



### All-wheel drive system

- Irrespective of the mode selected, do not start the engine if one or more wheels are not in contact with the ground (eg. when the vehicle is on a jack or roller bench).
- Do not turn the mode selector when cornering, reversing or if the wheels are spinning excessively. Only select the “2WD”, “AUTO” or “4WD Lock” mode when the vehicle is being driven in a straight line.
- Only use tyres which meet the required specifications.
- “4WD Lock” mode is exclusively reserved for driving **off-road**. The use of this mode in any other conditions may adversely affect the vehicle’s manoeuvrability and damage its mechanical components.
- Always ensure tyres with identical specifications are fitted to all four wheels (brand, size, structure, wear etc.). Fitting tyres of different sizes to the front and rear wheels and/or left and right wheels may have serious consequences for the tyres, gearbox, transfer gearbox and the rear differential pinions.

# ACTIVE EMERGENCY BRAKING (1/11)

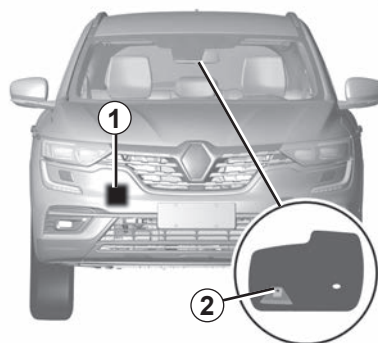
## Active emergency braking

The system has two types. Depending on the vehicle, one of the two systems is equipped in the vehicle.

- **System A**
- **System B**



This function is an additional driving aid. This function is not under any circumstances intended to replace the due care and attention of the driver, who should at all times be in control of the vehicle.



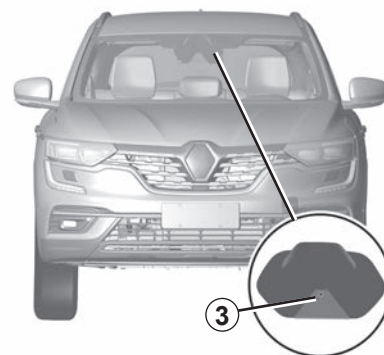
51869

System **A** is composed of the radar sensor **1** and the front camera **2**.

You can find that your vehicle is with the system **A** from the shape of the front camera area.

If your vehicle is equipped with system **A**, please refer to the information on “System **A**” in following pages.

**Note:** The radar sensor **1** is located behind the front bumper. It's difficult to identify the presence of the radar.



51870

System **B** is using the radar-camera sensor **3**.

You can find that your vehicle is with the system **B** from the shape of the radar-camera sensor area.

If your vehicle is equipped with system **B**, please refer to the information on “System **B**” in following pages.

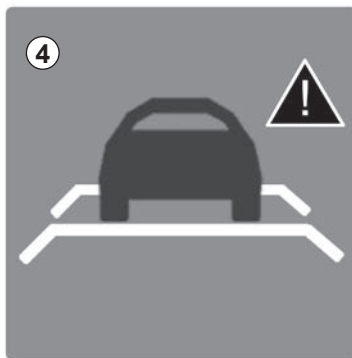
# ACTIVE EMERGENCY BRAKING (2/11)

## System A

### Operating principle

Using the radar sensor, the system calculates the distance separating the vehicle from the one in front and alerts the driver if there is a risk of a front-end collision. The driver can then brake the vehicle to limit the damage arising from a collision.

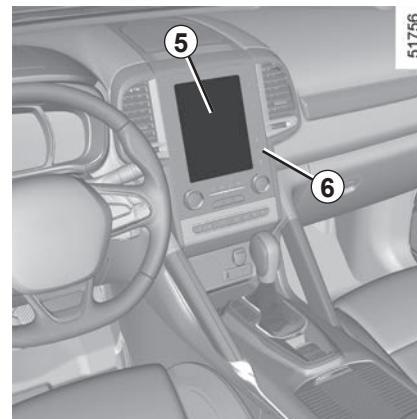
**Note:** make sure that the radar sensor **1** is not obscured (by dirt, mud, snow etc. or by the fitting of accessories such as bullbars).



### Operation

While driving (at speeds of between 20 and 85 mph (30 and 140 km/h)), if there is a risk of collision with the vehicle in front, the warning light **4** will be displayed on the instrument panel in red, alongside a beep.

If the driver depresses the brake pedal and the system still detects a risk of collision, the brake force is increased. If the driver fails to react following an alert of an imminent collision, the system activates the brakes.



### Activating or deactivating the system

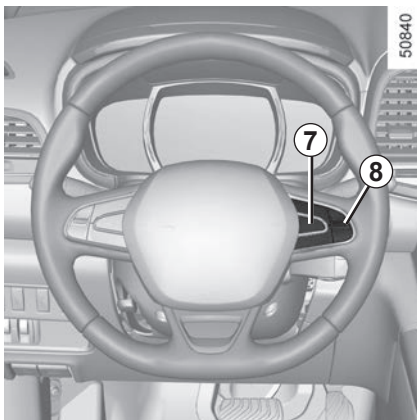
#### For vehicles fitted with a navigation system

On the multifunction screen **5**, select the “Vehicle” menu, “Driving assistance”, and “Active braking”, and then choose “ON” or “OFF”.

You can access menu “Driving assistance” directly from button **6**



## ACTIVE EMERGENCY BRAKING (3/11)




System A (continued)

### For vehicle not fitted with a navigation system

- With the vehicle at a standstill, press and hold the switch **7 OK** to access the settings menu,
- repeatedly press the control **8** up or down until you reach the “Driving assistance” menu. Press the switch **7 OK**;
- repeatedly press control **8** up or down until you reach the “Active braking” menu, then press the switch **7 OK**.

Press the switch **7 OK** again to activate or deactivate the function:

- function activated
- function deactivated

The warning light  is displayed on the instrument panel when the system is deactivated. This system is reactivated each time the ignition is switched on.


### Conditions for non-activation of the system

The system cannot be activated:

- when the gear lever is in neutral;
- when the parking brake is activated;
- while cornering.
- For 4-wheel drive vehicles, when Electronic Stability Programme (ESC) with understeer and traction control are deactivated (please see “Electronic Stability Programme (ESC) with understeer and traction control” above). Warning light

 comes on.

### Operating faults

When the system detects an operating fault, the  warning light lights up on the instrument panel, with the message “Active braking disconnected”.

There are two possibilities:

- the system is temporarily disrupted (for example: radar obscured by dirt, mud, snow etc.). In this case, park the vehicle and switch off the engine. Clean the detection zone of the radar. When you next start the engine, the warning light and the message go out
- if this is not the case, this may arise from another cause; contact an Approved Dealer.

Consult an approved dealer.

The system A only detects vehicles driving in the same direction of traffic. The system cannot detect motorcycles because of the difficulty in forecasting their trajectory.

## ACTIVE EMERGENCY BRAKING (4/11)



### **Active emergency braking**

This function is an additional driving aid. This function is not under any circumstances intended to replace the due care and attention of the driver, who should at all times be in control of the vehicle. The triggering of this function may be delayed or prevented when the system detects clear signs of control of the vehicle by the driver (action on the steering wheel, pedals etc.).

### **System servicing/repairs**

- In the event of an impact, the radar-camera or radar alignment may be changed, and its operation may consequently be affected. Deactivate the function, then consult an authorised dealer.
- Any work in the area where the radar-camera or radar are located (repairs, replacements, windscreen modifications etc.) must be carried out by a qualified professional.
- Fitting accessories which may block the radar is prohibited (bull bars etc.).

Only an authorised dealer is qualified to service the system.

### **In the event of system disturbance**

Some conditions can disturb or damage the operation of the system, such as:

- a complex environment (metal bridge, tunnel etc.);
- poor weather conditions (snow, hail, black ice etc.);

### **Risk of inadvertent braking.**



## ACTIVE EMERGENCY BRAKING (5/11)



### **Limitation of the system operation**

- The system will only respond to vehicles which are moving or which have been sensed as moving.
- The radar area should be kept clean and free of any modifications in order to ensure the proper operation of the system.
- The system cannot respond to small vehicles such as motorbikes, bicycles or pedestrians as effectively as to other vehicles.
- The system may not operate properly when the road surface is slippery (rain, snow, black ice etc.).

### **Deactivating the function**

You must disable the function if:

- the brake lights are not functioning;
- the front of the vehicle has undergone an impact or been damaged;
- the vehicle is being towed (breakdowns);

### **Halting the function**

You can halt the active braking function at any time by tapping the accelerator pedal or by turning the steering wheel in a avoidance manoeuvre.

In the event of the system behaving abnormally, deactivate it and consult an authorised dealer.

# ACTIVE EMERGENCY BRAKING (6/11)

## System B

### Operating principle

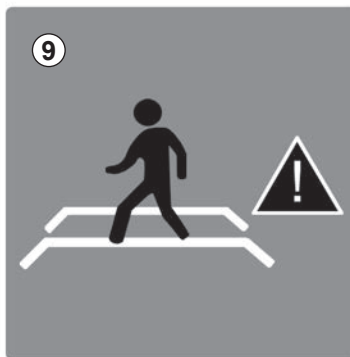
Using information from the radar-camera, the system calculates the distance which separates it from the vehicle in front and the surrounding pedestrians.

It notifies the driver if there is a risk of head-on collision. The driver can then brake the vehicle to limit the damage arising from a collision.

**Note:** make sure the windscreen is not obscured (dirt, mud, snow, condensation etc.).



This function is an additional driving aid. This function is not under any circumstances intended to replace the due care and attention of the driver, who should at all times be in control of the vehicle.



### Detection of pedestrians

#### Operation

When driving (speed between about 4.2 mph (7 km/h) and 36 mph (60 km/h)), if there is a risk of impact with a pedestrian, the indicator **9** is displayed in red on the instrument panel and accompanied by a beep.

When the impact is imminent, the system activates the braking.

The system can apply maximum braking.

### This system applies maximum braking to the vehicle

For safety reasons, always wear your seat belt when travelling in your vehicle and make sure that it is loaded so that no items can be thrown forward and hit the occupants.

# ACTIVE EMERGENCY BRAKING (7/11)

System **B** (continued)

## Detection of vehicles

### Operation

When driving (speed between about 4.34 and 99.2 mph (7 and 160 km/h)), if there is a risk of collision with the vehicle in front, the system:

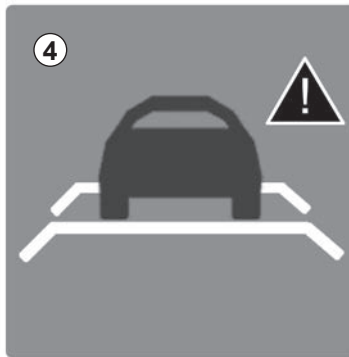
– **warns you of a collision risk:**

The indicator **4** is displayed in red on the instrument panel and accompanied by a beep.

If the driver depresses the brake pedal and the system still detects a risk of collision, the brake force is increased.

– **triggers braking:**

if the driver fails to react following the alert and collision becomes imminent.



39526

You can interrupt braking at any point by:

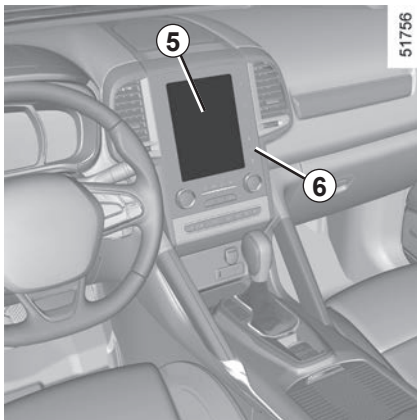
- tapping the accelerator pedal;
- or
- turning the steering wheel in an avoidance manoeuvre.

## Special features

When the vehicle speed:

- **is less than 27.9 mph (45 km/h) approximately**, the warning and braking are activated at the same time;
- **is between about 27.9 mph (45 km/h) and 48 mph (80 km/h) approximately**, the warning is activated. Braking will only be triggered if the vehicle preceding you is moving. Braking is not activated for stationary vehicles;
- **is between about 48 mph (80 km/h) and 99.2 mph (160 km/h)**, the warning and braking are only triggered if the vehicle preceding you is moving. The warning and braking are not activated for stationary vehicles;
- **is above 99.2 mph (160 km/h)**, the system is not active.

## ACTIVE EMERGENCY BRAKING (8/11)



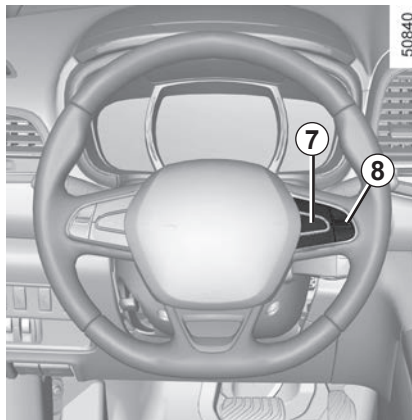
System **B** (continued)

### Activating or deactivating the system

#### For vehicles fitted with a navigation system

On the multifunction screen **5**, select the "Vehicle" menu, "Driving assistance", and "Active braking", and then choose "ON" or "OFF".

You can access menu "Driving assistance" directly from button **6**



#### For vehicle not fitted with a navigation system

- With the vehicle at a standstill, press and hold the switch **7 OK** to access the settings menu,
- repeatedly press the control **8** up or down until you reach the "Driving assistance" menu. Press the switch **7 OK**;
- repeatedly press control **7** up or down until you reach the "Active braking" menu, then press the switch **7 OK**.


Press the switch **8 OK** again to activate or deactivate the function:



function activated



function deactivated

The warning light  is displayed on the instrument panel when the system is deactivated. This system is reactivated each time the ignition is switched on.

# ACTIVE EMERGENCY BRAKING (9/11)

System **B** (continued)


## Conditions for non-activation of the system

The system cannot be activated:

- when the gear lever is in neutral;
- when the parking brake is activated;
- while cornering.

As a general rule, if the driver shows signs of attention (action on the steering wheel, pedals etc.), the system delays its operation or does not activate.


## Temporarily not available

When the system detects a temporary unavailability, the  warning light lights up on the instrument panel accompanied by the message “Active braking: sensor blind” or, depending on the vehicle, “Radar-camera: no visibility”.

The possible causes are:

- the system is temporarily blinded (glare from the sun, dipped beam headlights, bad weather conditions etc.). The system will be operational again when visibility conditions are better.
- The system is temporarily disrupted (for example: windscreen obscured by dirt, ice, snow etc.). In this case, park the vehicle and switch off the engine. Clean the windscreen. When you next start the engine, the warning light and the message go out.
- If this is not the case, this may arise from another cause; contact an Approved Dealer.

## Operating faults

When the system detects an operating fault, the  warning light lights up on the instrument panel, with the message “Active braking disconnected”.

Consult an approved dealer.

## ACTIVE EMERGENCY BRAKING (10/11)



### Active emergency braking

This function is an additional driving aid. This function is not under any circumstances intended to replace the due care and attention of the driver, who should at all times be in control of the vehicle. The triggering of this function may be delayed or prevented when the system detects clear signs of control of the vehicle by the driver (action on the steering wheel, pedals etc.).

#### System servicing/repairs

- In the event of an impact, the radar-camera or radar alignment may be changed, and its operation may consequently be affected. Deactivate the function, then consult an authorised dealer.
- Any work in the area where the radar-camera or radar are located (repairs, replacements, windscreen modifications etc.) must be carried out by a qualified professional.

Only an authorised dealer is qualified to service the system.

#### In the event of system disturbance

Some conditions can disturb or damage the operation of the system, such as:

- a complex environment (metal bridge, tunnel etc.);
- poor weather conditions (snow, hail, black ice etc.);
- poor visibility (night, fog etc.);
- poor contrast between the object (vehicle, pedestrian etc.) and the surrounding area (e.g. pedestrian dressed in white located in a snowy area etc.);
- being dazzled (glaring sun, lights of vehicles travelling in the opposite direction etc.);
- windscreen obscured (by dirt, ice, snow, condensation etc.).

#### Risk of inadvertent braking.

## ACTIVE EMERGENCY BRAKING (11/11)



### Limitation of the system operation

- A vehicle travelling in the opposite direction will not trigger any alert or any action on the system operation.
- The radar-camera area on the windscreen should be kept clean and free of any modifications in order to ensure the proper operation of the system.
- The system cannot respond to small vehicles such as motorbikes or bicycles as effectively as to other vehicles.
- The system may not operate properly when the road surface is slippery (rain, snow, black ice etc.).
- To ensure correct operation, **System B** needs to distinguish the complete outline of the pedestrian. So the system cannot detect:
  - Pedestrians in the darkness or in poor lighting conditions;
  - Partially visible pedestrians;
  - Pedestrians less than approximately 80cm tall;
  - Pedestrian carrying large objects;

### Deactivating the function

You must disable the function if:

- the brake lights are not functioning;
- the area of the radar-camera has been damaged (on the windscreen side or the interior rear-view mirror side);
- the vehicle is being towed (breakdowns);
- the windscreen is cracked or distorted (do not carry out repairs on this area of the windscreen; have it changed by an Authorised Dealer).

### Halting the function

You can halt the active braking function at any time by tapping the accelerator pedal or by turning the steering wheel in a avoidance manoeuvre.

In the event of the system behaving abnormally, deactivate it and consult an authorised dealer.

## LANE DEPARTURE WARNING (1/3)

This system notifies the driver when they accidentally cross a continuous or broken line.

This function uses a camera attached to the windscreen, behind the rear-view mirror.



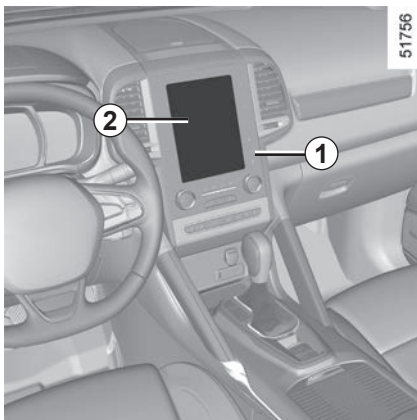
This function is a driving aid in the event of the accidental crossing of a continuous or broken line in the road. However, the function is not intended to replace the driver. The function can be disrupted under certain conditions, including:

- poor visibility (rain, snow, fog, dirty windscreen, glare of the sun, partially obscured road lines, etc.);
- roads with tight bends;
- closely following a vehicle in the same lane;
- worn road markings, difficult to distinguish or spaced very widely apart;
- narrow roads;
- ...

In this case, the line visibility indicators remain uncoloured on the instrument panel to indicate that the function will not operate (lines not detected). Under no circumstances should this function replace the driver's care or responsibility whilst performing manoeuvres.



## LANE DEPARTURE WARNING (2/3)

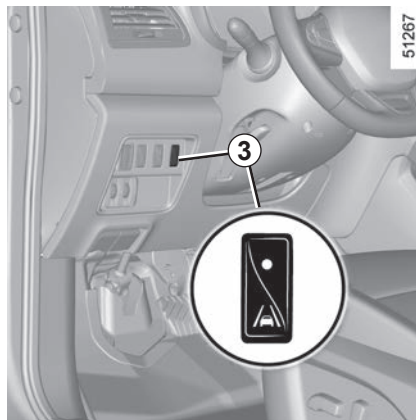


### Activation/deactivation

#### Vehicles fitted with a navigation system

From the multifunction screen **2**: select “Vehicle”, “Driving assistance”, “Lane departure warning” then choose “ON” or “OFF”.

You can access menu “Driving assistance” directly from button **1**



#### Vehicles not fitted with a navigation system

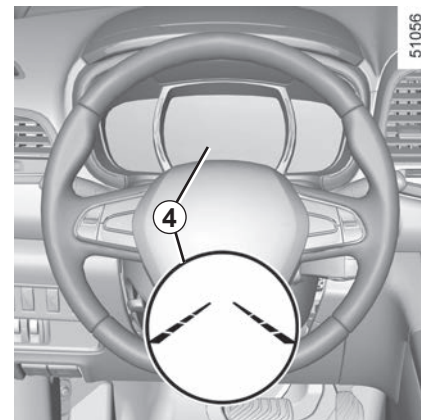
Press the switch **3**.

### Operation

With the function activated, the grey visibility indicators **4** for the left and right lines are displayed on the instrument panel.

#### The function is set to notify the driver if:

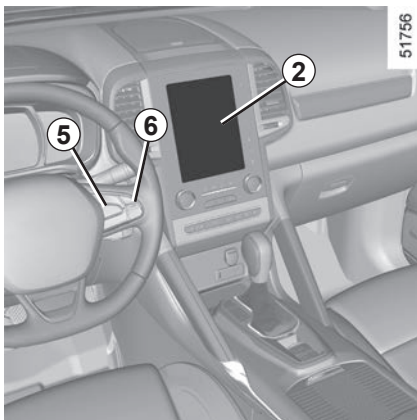
- speed is greater than approximately 45 mph (70 km/h);
- and
- the line indicators **4** are coloured green or, depending on the vehicle, a vibration of the steering wheel;



#### The function alerts the driver:

- by using a beep or, depending on the vehicle, a vibration of the steering wheel;
- and the indicator of the line crossed turns red on the instrument panel.

## LANE DEPARTURE WARNING (3/3)



### Conditions for non-activation of alerts

- Direction indicators activated for less than around 2 seconds prior to departing from the lane;
- very fast lane departure;
- driving continuously on a line;
- on bends, the function allows for slightly cutting the bend;
- hazard warning lights activated;
- ...

### Adjustment

#### Vehicles fitted with a navigation system

From the multifunction screen **2**, select “Vehicle”, “Driving assistance”, “Lane departure warning settings”.

- Volume: adjust the alert volume to one of five levels;
- sensitivity: adjust the sensitivity level for line detection. To do this select:
  - “Low” line detected upon crossing;
  - “Average” line detected on approach;
  - “high” line detected nearby.

#### Vehicles not fitted with a navigation system

- With the vehicle at a standstill, press and hold the switch **5 OK** to access the settings menu;
- repeatedly press the control **6** up or down until you reach the “Driving assistance” menu. Press the switch **5 OK**;

- repeatedly press control **6** up or down until you reach the “Lane departure warning settings” menu, then press the switch **5 OK**.
- Volume: adjust the alert volume to one of three levels;
- sensitivity: adjust the sensitivity level for line detection. To do this select:
  - “Low” line detected upon crossing;
  - “Average” line detected on approach;
  - “high” line detected nearby.

### Operating faults

In the event of a malfunction, a message “Lane departure warning check” is displayed on the instrument panel, and the visibility indicators for the left and right lines disappear from the instrument panel.

Consult an approved dealer.

## FATIGUE DETECTION WARNING (1/2)

The fatigue detection warning is a function which is useful on monotonous roads (motorways, high-speed roads etc.).

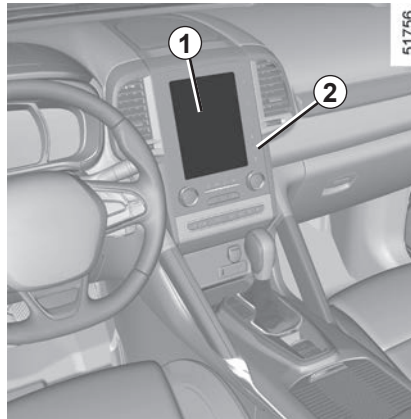
It analyses driver behaviour and takes account of events to inform you of any risk of fatigue such as:

- steering wheel movement;
- driver actions on other devices (indicators, windscreen washer etc.);
- time spent driving without stopping;
- ...



This function is an additional driving aid in case of risk of fatigue. This function does not take the place of the driver.

Under no circumstances should this function replace the driver's care or responsibility whilst driving.



### Activation/deactivation

#### Vehicles fitted with a multimedia system

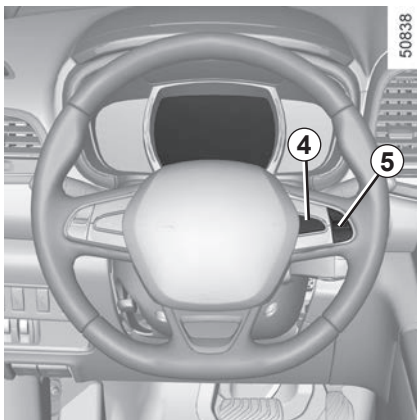
From the multimedia screen **1**, select the "Vehicle" menu, "Driving assistance", "Fatigue detection warn." then choose "ON" or "OFF".

When the engine is started, the system remembers its position when the ignition was last switched off.

You can access menu "Driving assistance" directly from button **2**



## FATIGUE DETECTION WARNING (2/2)



### Vehicles not fitted with a multimedia system

- With the vehicle at a standstill, press and hold the switch **4 OK** to access the settings menu;
- repeatedly press the control **5** up or down until you reach the “Driving assistance” menu. Press the switch **4 OK**;

- repeatedly press control **5** up or down until you reach the “Fatigue detection warn.” menu, then press the switch **4 OK**.
- Press the switch **4 OK** again to activate or deactivate the function.

### Operation

#### The function is set to notify the driver if:

- the vehicle speed is greater than approximately 37.2 mph (60 km/h); and
- Approximately 15 minutes have passed since the deletion of the previous warning.

#### The function triggers an alert if the system detects repeated signs of fatigue in the driver at the steering wheel.

When a risk of fatigue is detected, the message “Fatigue warning have a break” is displayed on the instrument panel accompanied by a beep.

Press switch **4 OK** to delete the warning.

It is advisable to stop as soon as possible for a break.

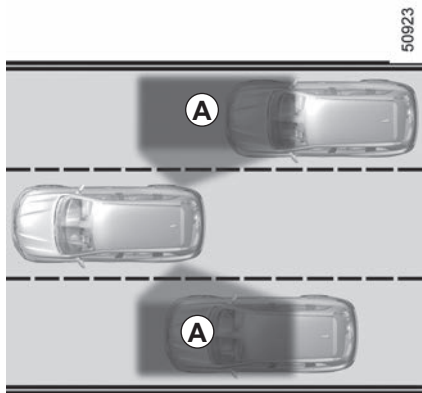
### Note:

- if the warning is not deleted by pressing switch **4 OK**, the beep repeats;
- the function may interpret certain driving styles as a sign of tiredness (sporty driving, incorrect driving etc.) or driving along a road which is in poor condition.

### Operating faults

If the system detects a fault, the message “Check fatigue warning” is displayed on the instrument panel. Call an approved Dealer.

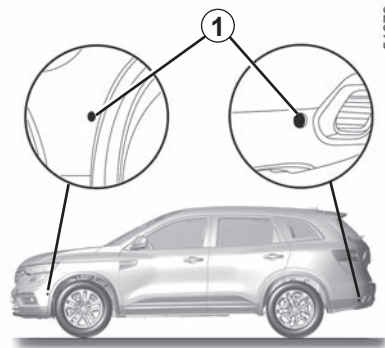
## BLIND SPOT WARNING (1/4)



This system alerts the driver to other vehicles in the detection zone **A**.

The system is activated when the vehicle's speed is between approximately 30 km/h (19 mph) and 140 km/h (87 mph).

This function uses sensors **1** installed in the front and rear bumper of both sides.



### Special feature

Make sure that the sensors are not obscured (by dirt, mud, snow, etc.). If a sensor is obscured, the message "Blind spot clean sensor" will appear on the instrument panel. Clean the sensors.

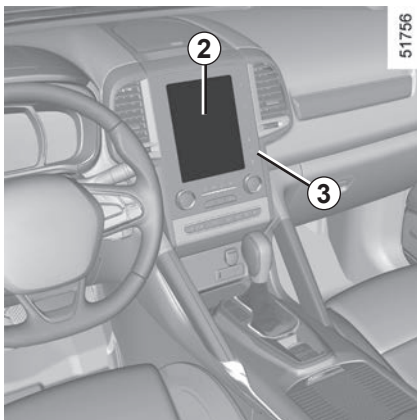


This function is an additional aid which indicates other vehicles in the blind spot area.

It can never in any case be a substitute for care nor for the driver's responsibility while in charge of his vehicle.

The driver should always look out for sudden hazards during driving: always ensure that there are no small, narrow moving obstacles (such as a child, animal, pushchair, bicycle, stone, post...) in the blind spot when manoeuvring.

## BLIND SPOT WARNING (2/4)

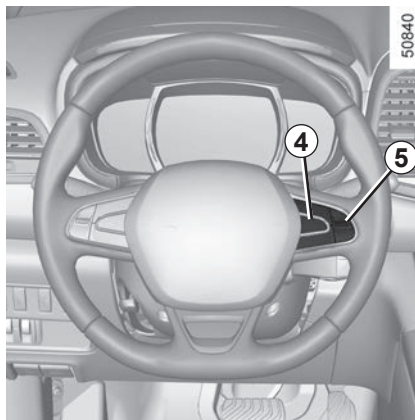


### Activation/deactivation

#### Vehicles fitted with a navigation system

On the multifunction screen **2**, select the “Vehicle” menu, “Driving assistance”, and “Driving assistance”, and then choose “ON” or “OFF”.

You can access menu “Driving assistance” directly from button **3**



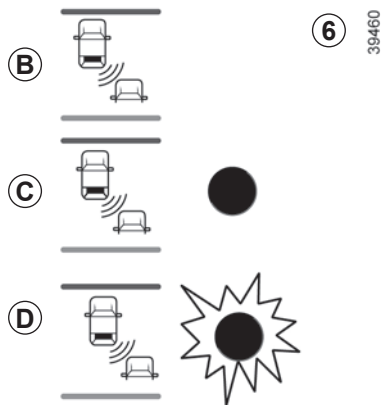
#### Vehicles not fitted with a navigation system

- With the vehicle at a standstill, press and hold the switch **4 OK** to access the settings menu;
- repeatedly press the control **5** up or down until you reach the “Driving assistance” menu. Press the switch **4 OK**;

- repeatedly press control **5** up or down until you reach the “Blind spot alert” menu, then press the switch **4 OK**.
- Press the switch **4 OK** again to activate or deactivate the function.

When the engine is started, the system remembers its position when the ignition was last switched off.

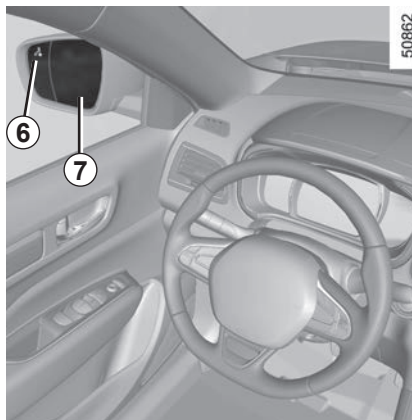
## BLIND SPOT WARNING (3/4)



### Indicator 6

An indicator light **6** is located on each door mirror **7**.

Note: Clean the door mirrors **7** regularly, so that the indicator lights **6** can be seen properly.



### Operation

This function will indicate:

- when the vehicle speed is between approximately 30 km/h (19 mph) and 140 km/h (87 mph);
- when another vehicle is in the blind spot area and travelling in the same direction as your vehicle.

If another vehicle is being overtaken, the indicator **6** will be activated only if that vehicle remains in the blind spot for more than one second.

### Display B

The function is activated and has not detected any vehicles.

### Display C

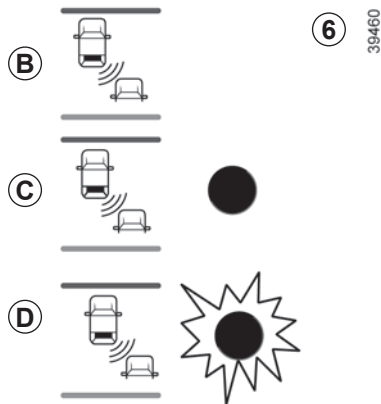
Initial warning: the indicator light **6** shows that a vehicle has been detected in the blind spot.

### Display D

When the direction indicator is activated, the indicator light **6** flashes when a vehicle is detected in the blind spot on the side towards which you are about to steer. If you cancel the direction indicator, the function will return to the initial warning (display **C**).

Note: The system's detection range operates according to a standard lane width. If you are driving in narrow traffic lanes, it may detect vehicles in other lanes.

## BLIND SPOT WARNING (4/4)



### Conditions for non-function

- If the object is not moving;
- if traffic is heavy;
- the road is winding;
- if front and rear sensors both detect objects at the same time (e.g. when passing an articulated lorry).
- ...

### Operating faults

If the system detects a fault, the message “Check blind spot alert” is displayed on the instrument panel. Consult an authorised dealer.

**Note:** When the engine is started, the indicator light **6** (display **B**) flashes three times. It is normal.



– The system's detection range operates according to a standard lane width. If you are driving in wide traffic lanes, the system might not be able to detect a vehicle in the blind spot.

- The system might be disrupted momentarily if it is exposed to strong electromagnetic waves (as beneath high-tension power lines) or to very poor weather conditions (heavy rain, snow, etc.). Remain aware of driving conditions.

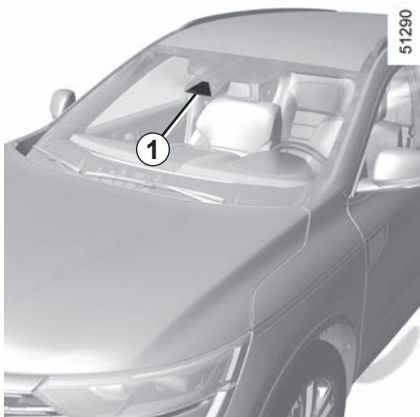
**There is a risk of accidents.**



Because sensors have been installed in the bumpers, any work (repairs, replacements, touching up of paintwork) must be carried out by a qualified professional.



## SAFE DISTANCE ALERT (1/3)

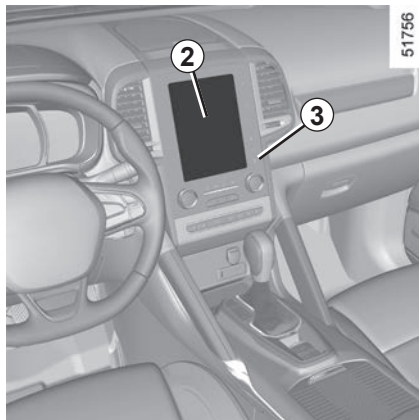


Using the information from the radar **1**, this function informs the driver of the time interval between him and the vehicle in front so that a safe stopping distance between the 2 vehicles can be maintained.

**Note:** make sure that the sensor **1** is not obscured (by dirt, mud, snow, etc.).

The function is activated when the vehicle speed is between about 18.6 and 124 mph (30 and 200 km/h).

When the engine is started, the function maintains the same status that was active when the engine was last stopped.



### Activating/deactivating the function

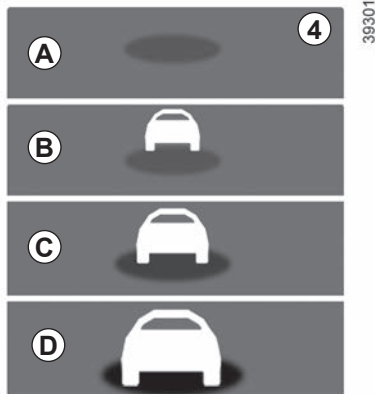
From the multifunction screen **2**, select menu “Vehicle”, “Driving assistance”, “Distance warning” then choose “ON” or “OFF”.

You can access menu “Driving assistance” directly from button **3**



This function is an additional driving aid. This function is not under any circumstances intended to replace the due care and attention of the driver, who should at all times be in control of the vehicle.

## SAFE DISTANCE ALERT (2/3)



### Operation

Upon activating the function, indicator **4** notifies the driver of the distance separating them from the vehicle in front.

- **A** (grey): function not operational;
- **A** (green): no vehicle detected;
- **B** (green): the time interval is greater than or equal to around two seconds (distance between the two vehicles adapted to your speed);

- **C** (orange): the time interval falls between around 1 and 2 seconds (insufficient distance between the two vehicles);
- **D** (red): the time interval is less than or equal to around one second (very insufficient distance between the two vehicles).

If the interval between the two vehicles is less than around 0.5 seconds, notification **4**, display **D**, will flash on the instrument panel. Under certain conditions, the time interval may not be displayed:

- while cornering;
- when changing lane;
- if the vehicle in front is sufficiently far or outside the range of the sensor.

On equipped vehicles, some information is given on the head-up display.

This function is essential if adaptive cruise control is activated.



The measurement is displayed for information purposes: the system does not carry out any action on the vehicle.

This function is not designed for use in urban conditions or for a dynamic driving style (sudden cornering, acceleration, braking etc.).

The function does not interact with the braking system.

The sensor area should be kept clean and free of any modifications to ensure the proper operation of the system.

## SAFE DISTANCE ALERT (3/3)



This function is an additional driving aid. This function is not under any circumstances intended to replace the due care and attention of the driver, who should at all times be in control of the vehicle.

### **System servicing/repairs**

– In the event of an impact, the sensor alignment may become changed, and its operation will consequently be affected. Deactivate the function and consult an authorised dealer.

– Any work in the area where the radar is located (repairs, replacements, etc.) must be carried out by a qualified professional.

Only an authorised dealer is qualified to service the system.

### **In the event of system disturbance**

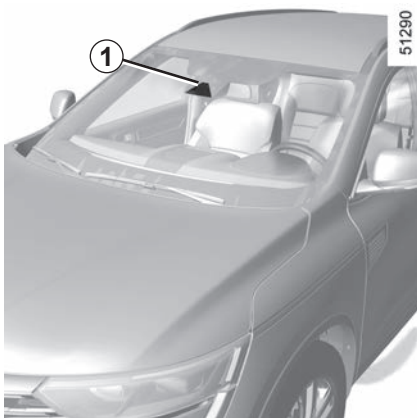
Some conditions can disturb or damage the operation of the system, such as:

– a complex environment (tunnel etc.);

– poor weather conditions (snow, hail, black ice, etc.).

### **Risk of erroneous false alarms.**

## OVERSPEED ALERT (1/3)



The overspeed alert with signage panel recognition notifies the driver that they are exceeding the speed limit for the section of road on which they are currently travelling.

### Operating principle

The system detects speed limit signs on the side of the road and displays the speed limit.

It mainly uses information taken from the camera **1**, attached to the windscreen behind the rear-view mirror.

**Note:** make sure the windscreen is not obscured (dirt, mud, snow, condensation etc.).

For vehicles which are equipped with it, the system also uses information from the navigation system.

Once the speed limiter is activated, you can adjust the speed limiter indication displayed by the system.

In the event of exceeding the speed limit, the sign display is modified (the characters change to red or the circle around the sign flashes) to notify you.

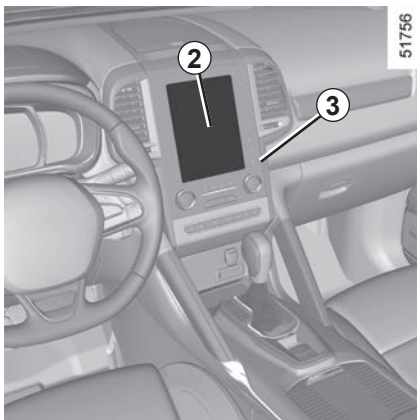
### Vehicle fitted with a navigation system

- If the vehicle is travelling in a country where the speed units differ from those of the vehicle, the system displays the speed limit sign in the unit of the country, alongside the speed limit converted to the unit used by the vehicle's instrument panel.
- For countries where the speed limit is reduced during rainy weather in some types of roads, the system can modify the limited speed after a few seconds of wiping the windscreen.

### Special situations

The system does not take into account exceptional speed limit measures, such as peak pollution days.

## OVERSPEED ALERT (2/3)

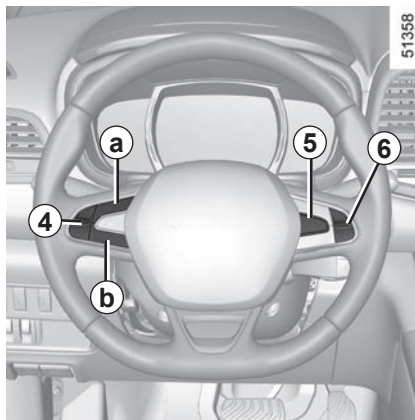


### Activating/deactivating the system

#### Vehicles fitted with a navigation system

On the multifunction screen **2**, select the “Vehicle” menu, “Driving assistance”, and “Speed alert settings”, and then choose “ON” or “OFF”.

You can access menu “Driving assistance” directly from button **3**



With the function activated and depending on local laws, you can activate the “increased vigilance zones”. The system will notify you of the distance separating you from this zone, and while you are travelling in the zone.

#### Vehicles not fitted with a navigation system

- With the vehicle at a standstill, press and hold the switch **5 OK** to access the settings menu;
- repeatedly press the control **6** up or down until you reach the “Driving assistance” menu. Press the switch **5 OK**;

- repeatedly press the control **6** up or down until you reach the Speed alert menu, then press the switch **5 OK**.
- press **OK** to turn the function on or off.

### Varying the limit speed

If the speed limiter notification differs from the detected speed value, press and hold the switch **4**:

- side **a** (+) to increase the notification speed to the detected speed;
- side **b** (-) to reduce the notification speed to the detected speed.

## OVERSPEED ALERT (3/3)

### Operating fault

The system cannot detect the speed limit if:

- the windscreen is not clean;
- the camera is blinded by the sun;
- there is insufficient visibility (night, fog, etc.);
- the signs are not legible (snow, etc.) or are hidden (by another vehicle or by trees);
- the information taken from the navigation system is not up to date.



This function is an additional driving aid. This function is not under any circumstances intended to replace the due care and attention of the driver, who should at all times be in control of the vehicle.

The driver should always adapt their speed to the traffic conditions, regardless of the system indications.

The system enables maximum speed signs to be detected and does not detect other signs.

The driver should not, however, ignore signs which are not detected by the system and should as a priority comply with the traffic signage and the highway code.

In the event of poor visibility (fog, snow, frost, etc.), it is possible that the system may not indicate the correct speed to the driver.

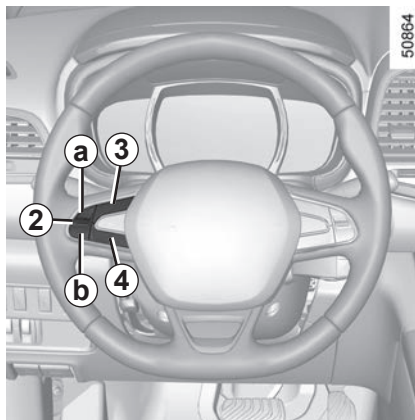
The driver should always adapt their speed to the traffic conditions, regardless of the system indications.

## SPEED LIMITER (1/3)



The speed limiter function helps you stay within the driving speed limit that you choose, known as the **limit speed**.

If you wish, you can associate the speed limiter and the “Overspeed alert” function (please refer to the information on the “Overspeed alert” in Section 2).



### Controls

- 1 Main “On/Off” switch.
- 2 Controls for:
  - a speed limiter activation, memory and increase (+);
  - b decreasing the speed limiter (-).
- 3 Activation and recall of memorised limited speed (R).
- 4 Speed limiter function standby (with limited speed memory) (O).

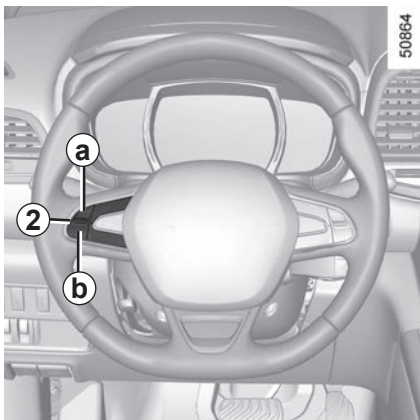
### Switching on

Press switch **1** on side **3**. The indicator light **3** comes on, lit orange, and the message “Speed limiter” appears on the instrument panel, accompanied by dashes to indicate that the speed limiter function is activated and waiting to store a limited speed.

To store the current speed, press the switch **2** on side **a** (+): the limited speed will replace the dashes.

The minimum stored speed is 20 mph (30 km/h).

## SPEED LIMITER (2/3)



### Driving

When a limited speed has been stored and this speed is not reached, driving is similar to driving a vehicle without the speed limiter function.

Once you have reached the stored speed, no effort on the accelerator pedal will allow you to exceed the programmed speed except in an emergency (refer to information on “Exceeding the limit speed”).

### Varying the limit speed

The speed limiter can be changed by repeatedly pressing the switch **2**:

- side **a** (+) to increase the speed;
- side **b** (-) to reduce the speed.

### Exceeding the limit speed

It is possible to exceed the limit speed at any time. To do this: press the accelerator pedal **firmly and fully** (beyond the resistance point).

While the speed is being exceeded, the speed limiter flashes red on the instrument panel.

Then, release the accelerator: the speed limiter function will return as soon as you reach a speed lower than the stored speed.

### Limited speed cannot be maintained

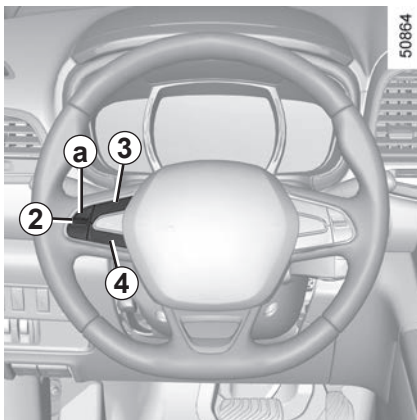
If driving up or down a steep gradient, the system is unable to maintain the limited speed: the memorised speed flashes red on the instrument panel and a beep sounds at regular intervals to inform you.



The speed limiter function is in no way linked to the braking system.



## SPEED LIMITER (3/3)



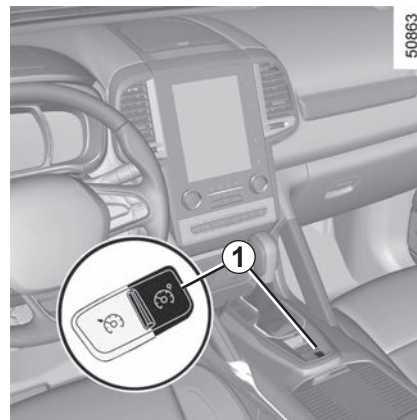
### Putting the function on standby

The speed limiter function is suspended when you press switch **4** (O). In this case, the speed limit remains stored and the message “Memorised” accompanied by this speed appears on the instrument panel.


### Recalling the limit speed

If a speed has been saved, it can be recalled by pressing switch **3** ((R)).

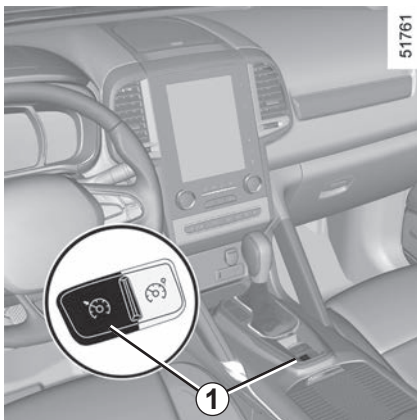
When the speed limiter is put on standby, pressing side **a** (+) on the switch **2** reactivates the function without taking into account the stored speed: it is the speed at which the vehicle is moving that is taken into account.



### Switching off the function

The speed limiter function is deactivated if you press switch **1**: in this case a speed is no longer stored. The orange  warning light and message on the instrument panel goes out to confirm that the function is deactivated.

## CRUISE CONTROL (1/4)

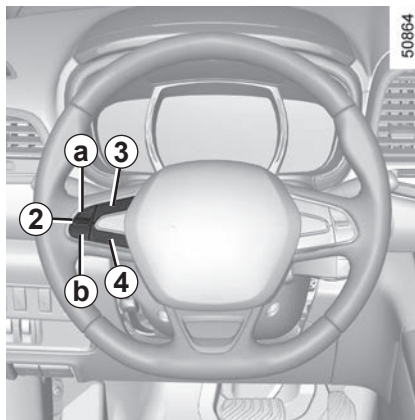


The cruise control function helps you to maintain your driving speed at a speed that you choose, called the **cruising speed**.

This cruising speed may be set at any speed above 20 mph (30 km/h).



The cruise control function is in no way linked to the braking system.



### Controls

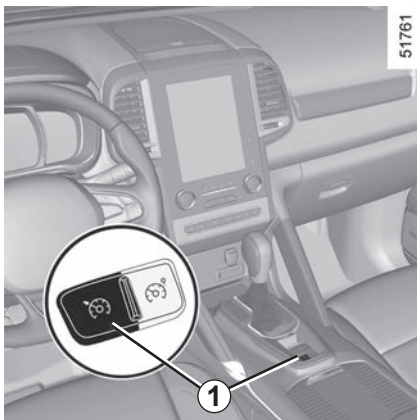
- 1 Main "On/Off" switch.
- 2 Controls for:
  - a cruising speed activation, storage and increase (+);
  - b decreasing cruising speed (-).
- 3 Activation with recall of saved cruising speed (R).
- 4 Switch the function to standby (with cruising speed saved) (O).



This function is an additional driving aid. The function does not take the place of the driver. Therefore, it can under no circumstances replace the driver's responsibility to respect speed limits and to be vigilant (the driver must always be ready to brake). Cruise control must not be used in heavy traffic, on undulating or slippery roads (black ice, aquaplaning, gravel) and during bad weather (fog, rain, side winds etc.).


There is a risk of accidents.

## CRUISE CONTROL (2/4)




### Switching on

Press switch **1** on side .

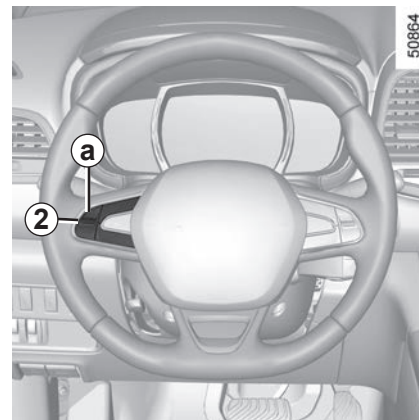
Indicator light  comes on, lit green, and the message “Check cruise control” appears on the instrument panel, accompanied by dashes to indicate that the cruise control function is activated and waiting to store a cruising speed.

### Activating cruise control

At a steady speed (above approx. 20 mph (30 km/h)), press the switch **2** on side **a** (+): the function is activated and the current speed is saved.

The cruising speed replaces the dashes and cruise control is confirmed by the appearance of the message “Check cruise control” and the warning light .

If you try to activate the function below 20 mph (30 km/h), the message “Invalid speed” will be displayed and the function will remain inactive.



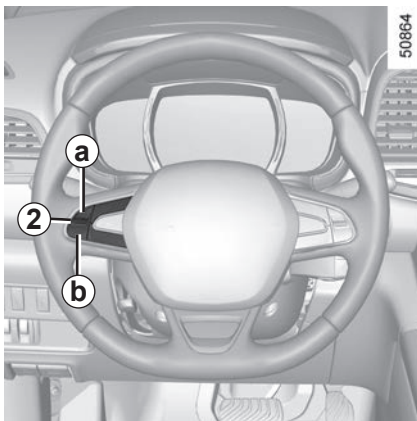
### Driving

Once a cruising speed is memorised and the cruise control function is active, you may lift your foot off the accelerator pedal.



Please note that you are strongly advised to keep your feet close to the pedals in order to react in an emergency.

## CRUISE CONTROL (3/4)



### Adjusting the cruising speed

The cruising speed can be changed by pressing the switch **2** repeatedly:

- side **a** (+) to increase the speed;
- side **b** (-) to reduce the speed.



The cruise control function is in no way linked to the braking system.

### Exceeding the cruising speed

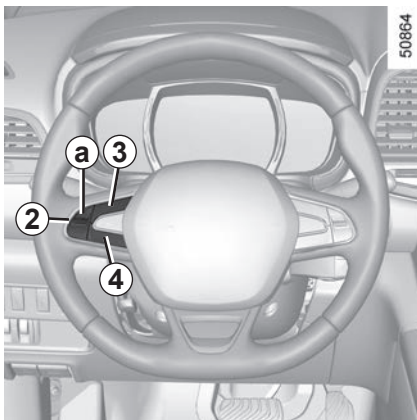
The cruising speed may be exceeded at any time by depressing the accelerator pedal. While overtaking, the cruising speed flashes red on the instrument panel.

Then, release the accelerator: after a few seconds, the vehicle will automatically return to its set cruising speed.

### Cruising speed cannot be maintained

If driving up or down a steep gradient, the system is unable to maintain the cruising speed: the stored speed is flashes red on the instrument panel to inform you of this situation.

## CRUISE CONTROL (4/4)



### Putting the function on standby

The function is set to standby if you:

- use the switch **4** (O);
- the brake pedal;
- depress the clutch pedal or the shift into neutral if the vehicle has an automatic gearbox.

In these three cases, the cruising speed remains stored and the message “Memorised” accompanied by this speed appears on the instrument panel. Standby is confirmed by the display of the cruising speed in grey and the message “Memorised”.

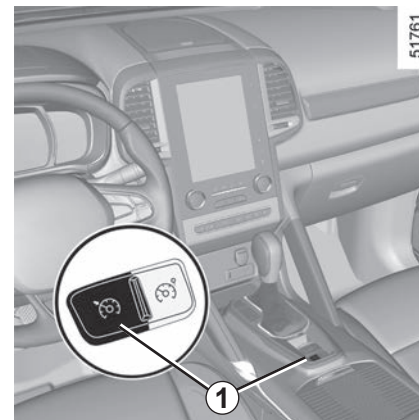
### Returning to the cruising speed

If a speed is stored, it can be recalled, once you are sure that the road conditions are suitable (traffic, road surface, weather conditions, etc.). Press switch **3** (R) if the vehicle speed is above 20 mph (30 km/h).


When the stored speed is recalled, activation of the cruise control is confirmed by the illumination of the cruising speed in green, along with the message “Check cruise control”.

**NB:** if the speed previously stored is much higher than the current speed, the vehicle will accelerate more rapidly to reach this threshold.

When the cruise control function is put on standby, pressing the switch **2** on side **a** (+) reactivates the cruise control function without taking into account the stored speed: it is the speed at which the vehicle is moving that is taken into account.



### Switching off the function

The cruise control function is deactivated if you press switch **1**: in this case a speed is no longer stored. The green  warning light and message on the instrument panel goes out to confirm that the function is deactivated.



Putting the cruise control on standby or switching it off does not cause a rapid reduction in speed: you must brake by depressing the brake pedal.

## ADAPTIVE CRUISE CONTROL (1/8)

The adaptive cruise control is a function which gives you the option, when traffic conditions permit (large free-flowing road or motorway), of maintaining a chosen speed, known as the cruising speed, while keeping a safe distance from the vehicle in front in the same lane.

The function can be adjusted from 31 mph (50 km/h) to 99.2 mph (160 km/h).

The radar-camera has a range of around 120 metres.

### Note:

- the driver should take account of the maximum legally permissible speed in the country where the vehicle is travelling;
- the adaptive cruise control can brake the vehicle up to a third of the braking capacity. Depending on the situation, the driver may need to brake harder.

On equipped vehicles, some information is given on the head-up display.

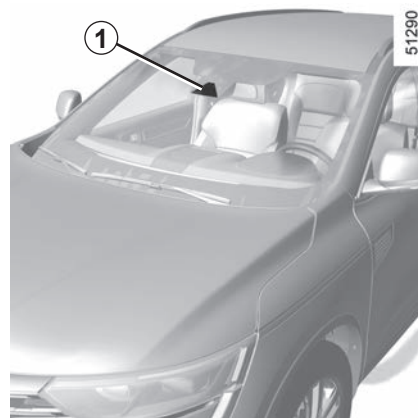


This function is an additional driving aid. The function does not take the place of the driver.

Therefore, it can under no circumstances replace the driver's responsibility to respect speed limits and to be vigilant (the driver must always be ready to brake).

The adaptive cruise control should not be used in heavy traffic, on winding or slippery roads (black ice, aquaplaning, gravel) and during bad weather (fog, rain, side winds etc.).

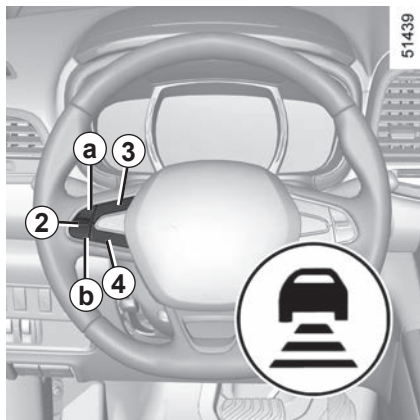
**There is a risk of accidents.**



### Location of the radar-camera 1

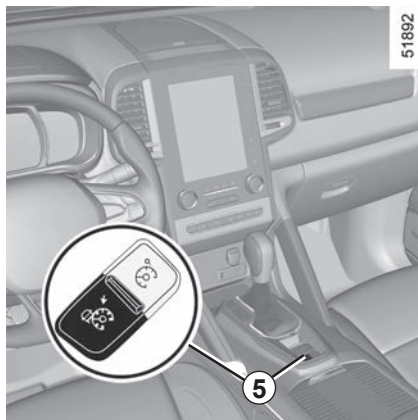
Make sure the windscreen is not obscured (dirt, mud, snow, condensation etc.).

## ADAPTIVE CRUISE CONTROL (2/8)


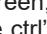


### Controls

- 5 Main "On/Off" switch.
- 2 Controls for:
  - a cruising speed activation, storage and increase (+);
  - b decreasing cruising speed (-).
- 3 Activation with recall of saved cruising speed (R).
- 4 Switch the function to standby (with cruising speed saved) (O).
- 6 Adjusting following distance.

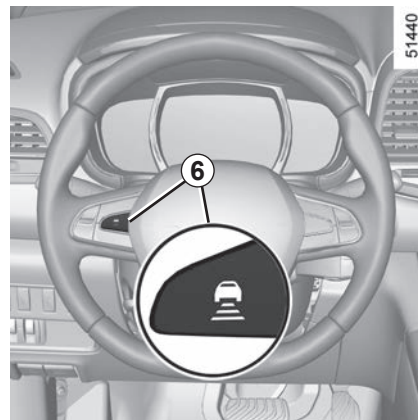



### Switching on

Press switch **5** on the side showing . Warning light  comes on, lit green, and the message "Adaptive cruise ctrl" appears on the instrument panel, accompanied by dashes to indicate that the cruise control function is activated and waiting to store a cruising speed.

### Activating cruise control

At a steady speed (above approximately 31 mph (50 km/h)), press switch **2** side **a** (+): the function is activated and the current speed is memorised.



The cruising speed replaces the dashes and cruise control is confirmed by the appearance of the message "Adaptive cruise ctrl" and the warning light . If you try to activate the function below 31 mph (50 km/h) or above 99 mph (160 km/h), the message "Invalid speed" is displayed and the function remains inactive.

### Adjusting the following distance

Pressing switch **6** multiple times adjusts the following distance.

## ADAPTIVE CRUISE CONTROL (3/8)

### Driving

Once a cruising speed is memorised and the cruise control function is active, you may lift your foot off the accelerator pedal.

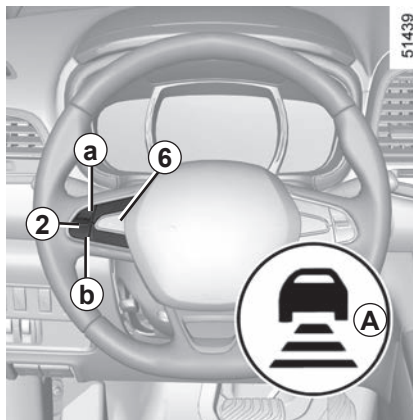
If a following distance is stored and a vehicle travelling slower than yours is detected by the system in your lane, your vehicle will brake (with the brake lights on) and adapt its speed to that of the vehicle in front, respecting the following distance selected previously.

### Overtaking

If your speed is lower than the cruise control and you wish to perform an overtaking manoeuvre, activating the direction indicator will provide acceleration enabling the overtaking manoeuvre.



Please note that you must keep your feet close to the pedals in order to react in an emergency.



### Adjusting the cruising speed

The cruising speed can be changed by pressing the switch **2** repeatedly:

- side **a** (+) to increase the speed;
- side **b** (-) to reduce the speed.

### Varying the following distance

You can vary the following distance from the vehicle in front at any time by pressing switch **6** repeatedly.

Horizontal following bars will be displayed on the instrument panel, indicating the following distance selected:

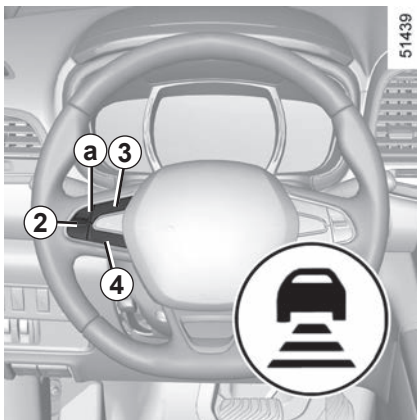
- one bar for a short distance (corresponding to a following time of around one second);
- two bars for a medium distance;
- three bars for a long distance (corresponding to a following time of around two seconds).

Choosing the distance should depend on the traffic, the laws in your country, and on the weather conditions.

If a vehicle is detected by the system in your lane, an outline **A** of a vehicle will appear above the following bars.



## ADAPTIVE CRUISE CONTROL (4/8)



### Exceeding the cruising speed

The cruising speed may be exceeded at any time by depressing the accelerator pedal.

When exceeding this speed, the cruising speed and the following bars show red and the cruising speed flashes on the instrument panel: the distance control function is no longer activated.

Then, release the accelerator: cruise and distance control will automatically reactivate unless the function has been set to standby.

### Putting the function on standby

The function is set to standby if:

- you press switch **4** (O);
- you depress the brake pedal;
- you depress the clutch pedal;
- you use the gear lever;
- the engine speed is too low or too high;
- the vehicle speed is lower than 24.8 mph (40 km/h) or over 105.4 mph (170 km/h);
- certain driver correction devices and aids are triggered (ABS, ESC, etc.)

In the latter three cases, the message “Adaptive cruise ct disconnected” is displayed on the instrument panel when the function is set to standby.

Standby is confirmed by the display of the cruising speed in grey and the message “Adaptive cruise ctrl”.

### Returning to the cruising speed

If a speed is stored, it can be recalled, once you are sure that the road conditions are suitable (traffic, road surface, weather conditions, etc.). Press switch **3** (R) if the vehicle speed is above around 31 mph (50 km/h).

When the stored speed is recalled, activation of the cruise control is confirmed by the illumination of the cruising speed in green, along with the message “Adaptive cruise ctrl”.

When the cruise control is set to standby, pressing switch **2**, side **a** (+), reactivates the cruise control function without taking into account the stored speed: it is the speed at which the vehicle is moving that is taken into account.

**Note:** if the speed previously stored is much higher than the current speed, the vehicle will accelerate to reach this threshold.

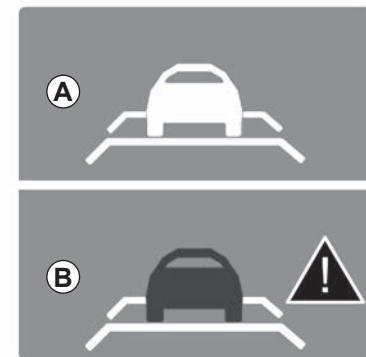
## ADAPTIVE CRUISE CONTROL (5/8)

Under certain conditions (coming up behind a vehicle moving more slowly, rapid change of lane of vehicles in front etc.), the system may not have time to respond and may emit a beep alongside the alert **A** when the situation requires the driver's attention, or the alert **B** when the situation requires immediate action from the driver.

React accordingly and perform the appropriate manoeuvres.



Please note that you must keep your feet close to the pedals in order to react in an emergency.

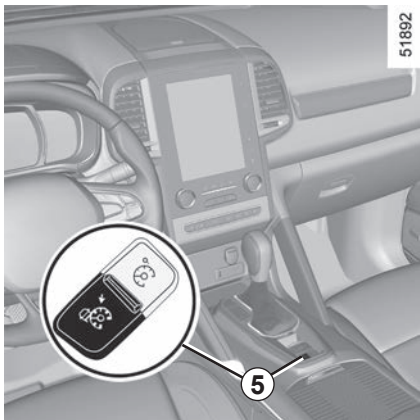


39461





Putting the cruise control on standby or switching it off does not cause a rapid reduction in speed: you must brake by depressing the brake pedal.

## ADAPTIVE CRUISE CONTROL (6/8)



### Switching off the function

The cruise control function is stopped if you press switch **5** on the  side; in this case a speed is no longer stored. The green  indicator light and the message “Adaptive cruise ctrl” on the instrument panel go out to confirm that the function is deactivated.

### Operating faults

When the system detects an operating fault the message “Check cruise control” appears on the instrument panel.

There are two possibilities:

- the system is temporarily disrupted (for example: radar obscured by dirt, mud, snow etc.). In this case, park the vehicle and switch off the engine. Clean the detection zone of the radar-camera. When you next start the engine, the warning light and the message go out;
- otherwise, this may be caused by another fault. Consult an approved dealer

## ADAPTIVE CRUISE CONTROL (7/8)



This function is an additional driving aid. This function is not under any circumstances intended to replace the due care and attention of the driver, who should at all times be in control of the vehicle.

The driver should always adapt their speed to the traffic conditions, regardless of the system indications.

The system should under no circumstances be taken to be an obstacle detector or an anti-collision system.

### **System servicing/repairs**

- In the event of an impact, the radar-camera alignment may be changed, and its operation may consequently be affected. Deactivate the function and consult an authorised dealer.
- Any work in the area where the radar-camera is located (repairs, replacements, windscreen modifications etc.) must be carried out by a qualified professional.

Only an authorised dealer is qualified to service the system.

### **Deactivating the function**

You must disable the function if:

- the brake lights are not functioning;
- the area of the radar-camera has been damaged (on the windscreen side or the interior rear-view mirror side);
- the vehicle is being towed (breakdowns);
- traffic is heavy;
- the vehicle is travelling in a tunnel;
- the vehicle is travelling on a windy road;
- the windscreen is cracked or distorted (do not carry out windscreen repairs in this area; have it changed by an Authorised Dealer);
- the vehicle is travelling on a slippery road or in poor weather conditions (fog, snow, rain, side winds etc.).

In the event of the system behaving abnormally, deactivate it and consult an authorised dealer.

## ADAPTIVE CRUISE CONTROL (8/8)



### **Limitation of the system operation**

- A vehicle travelling in the opposite direction will not trigger any alert or any action on the system operation.
- The radar-camera should be kept clean and free of any modifications in order to ensure the proper operation of the system.
- Fixed obstacles (stationary vehicles, traffic jams, toll booths etc.) or objects travelling at low speed or of a small size (motor-bikes, bicycles, pedestrians etc.) may not be detected by the system.
- A vehicle entering the same lane will only be detected once it has entered the detection zone. Sudden or late braking may then take place.
- When entering a bend or curve, the radar-camera may temporarily no longer detect the vehicle in front, and this may lead to acceleration.
- When exiting a curve, the detection of the vehicle in front may be affected or delayed. Sudden or late braking may then take place.
- A slower vehicle travelling in an adjacent lane may be detected and cause a slowing down if one of the two vehicles is travelling too close to the lane of the other.
- A slower vehicle with a wide difference in speed may not be taken into account by the system.
- The system is deactivated below around 31 mph (50 km/h). Drivers must react accordingly.
- Sudden changes in situation are not instantly taken into account by the system. Drivers must remain vigilant at all times and under all circumstances.

### **System disturbance**

Some conditions can disturb or damage the operation of the system, such as:

- a complex environment (metal bridge, tunnel etc.) ;
- poor weather conditions (snow, hail, black ice etc.);
- poor visibility (night, fog etc.);
- poor contrast between objects;
- being dazzled (glaring sun, lights of vehicles travelling in the opposite direction etc.).

### **Risk of unwanted braking or acceleration.**

## PARKING DISTANCE CONTROL (1/5)

### Operating principle

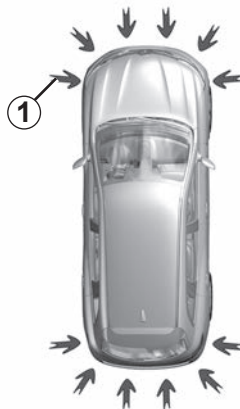
Ultrasonic sensors in the rear bumper measure the distance between the vehicle and an obstacle.

This measurement is indicated by beeps which become more frequent the closer you come to the obstacle, until they become a continuous beep when the vehicle is approximately 20 to 30 centimetres from the obstacle.

The system detects obstacles to the front, the rear and the sides of the vehicle.

The parking distance control system is only activated when the vehicle is driven at a speed below approximately 6 mph (10 km/h).

The parking distance control system does not take into account towing and load carrying systems, etc.



50867

### Special features

Ensure that the ultrasonic sensors indicated by arrows **1** are not obscured (by dirt, mud, snow, etc.).

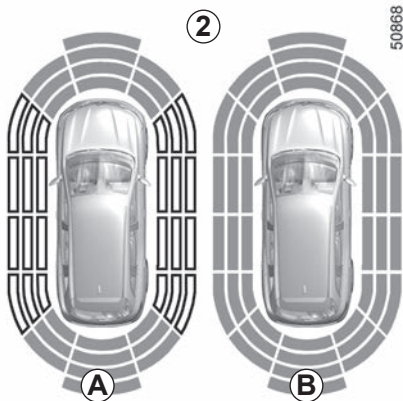


This function is an additional aid that indicates the distance between the vehicle and an obstacle whilst reversing, using sound signals.

Under no circumstances should it replace the driver's care or responsibility whilst reversing.

The driver should always look out for sudden hazards during driving: always ensure that there are no moving obstacles (such as a child, animal, pram or bicycle, etc.) or small, narrow objects such as stones or posts in your path when manoeuvring.

## PARKING DISTANCE CONTROL (2/5)

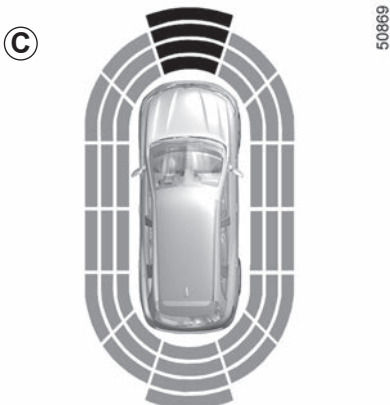


**Note:** the display 2 shows the vehicle surroundings and emits beeps.

It is necessary to travel a few metres before the side detection is activated.

If all areas have a grey background, the whole area around the vehicle is being monitored:

- **A:** analysis of the vehicle surroundings in progress;
- **B:** analysis of the vehicle surroundings carried out

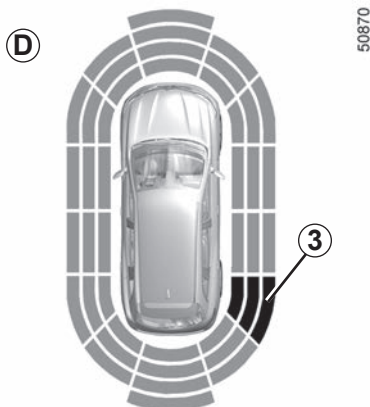


### Operation

Most objects located less near the front, rear and sides of the vehicle are detected.

Depending on the distance of the obstacle, the frequency of the beep will be higher while approaching it, and will become a solid beep around 20 cm for obstacles to the sides, and 30 cm for obstacles to the front or rear. Green, orange and red zones will be displayed on the display C.

## PARKING DISTANCE CONTROL (3/5)



### Detection of obstacles to the side

Depending on the direction of the wheels, the system determines the trajectory of the vehicle and notifies the driver of any risk or otherwise of a collision with an obstacle **3** to the side of the vehicle.

If a side obstacle is detected:

- the beeps become faster and then sound continuously as the obstacle gets nearer. Green, orange and red zones will be displayed on the display **D**;
- if there is no risk of collision, no beep will sound when approaching the obstacle. Green, orange and red zones will be displayed interspersed on the display **D**.

**Note:** in the event of a change in trajectory during a manoeuvre, the risk of collision with an obstacles may be signalled late.



An impact to the underside of the vehicle while manoeuvring (e.g.: striking a post, raised kerb or other street furniture) may result in damage to the vehicle (e.g.: deformation of an axle).

To avoid any risk of accident, have your vehicle checked by an approved dealer.



## PARKING DISTANCE CONTROL (4/5)



### Adjustment

You can adjust certain settings from the multifunction screen **4**. Please see the equipment instructions for further information.

### Vehicles fitted with a navigation system

Select “Vehicle”, “Parking assist”, “Obstacle detection”.

### Parking distance control audio volume

Adjust the volume of the parking distance control by pressing + or -.

### System sound

Enables the system sound to be selected from a choice of 3.

### Deactivating the system sound

Activate or deactivate the parking distance control sound.

**Note:** If you deactivate the sound, you will no longer be notified with beeps when approaching an obstacle.

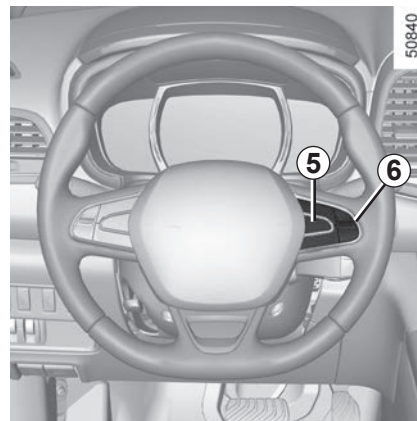
### Deactivating the system

Activate or deactivate parking distance control.

### Vehicles not fitted with a navigation system

Vehicle stationary:

- press and hold the switch **5 OK** to access the settings menu;
- repeatedly press the control **6** up or down until you reach the “Driving assistance” menu;
- press the switch **5 OK**;
- repeatedly press the control **6** up or down until you reach the “Parking distance control settings” menu;



- press the switch **5 OK**;
- using the control **6**, select the settings to be changed;
- press the switch **5 OK**.

When the vehicle is being driven at a speed below approximately 6 mph (10 km/h), certain noises (motorcycle, lorry, pneumatic drill, etc.) may trigger the beeping sound of the parking distance control.

## PARKING DISTANCE CONTROL (5/5)

### Automatic deactivation of the parking distance control

The system deactivates:

- when the vehicle speed is above approximately 6 mph (10 km/h);
- depending on the model, when the vehicle is stationary for more than approximately 5 seconds and an obstacle is detected (such as when in a traffic jam, etc.);
- when the vehicle is in neutral for manual gearboxes, or in position **N** or **P** for automatic gearboxes.

### Operating faults

When the system detects an operating fault, a beep sounds for approximately 3 seconds each time reverse gear is selected and is accompanied by the message “Check parking sensor” shown on the instrument panel. Please consult an authorised dealer.

The function can be disrupted under certain conditions, including:

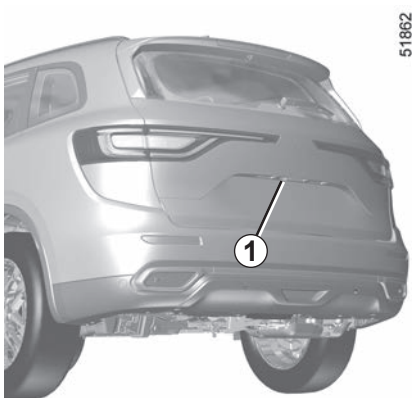
- if the sensor is obscured by dirt, mud, snow, etc, wipe it clean with a soft damp cloth or cotton wool;
- if the sensor is frozen;
- when driving on uneven or gravelled surfaces or slope or in bush;
- very poor weather conditions (heavy rain, snow, etc.);

The system can not detect including:

- small or narrow objects such as rope, etc;
- objects that can absorb ultrasonic like a sponge, snow, etc.

The system can be beeped or disrupted by motorbikes, bicycles, transmitters, etc.

## REVERSING CAMERA (1/2)



### Operation

Moving into reverse gear, the camera **1** located on the tailgate provides a view of the area behind the vehicle on the multimedia screen **2**, accompanied by one or two moving or fixed guide lines **4** and **3**.

This system is initially used with the aid of several gauges (mobile for trajectory and fixed for distance). When the red zone is reached, use the bumper image to stop accurately.

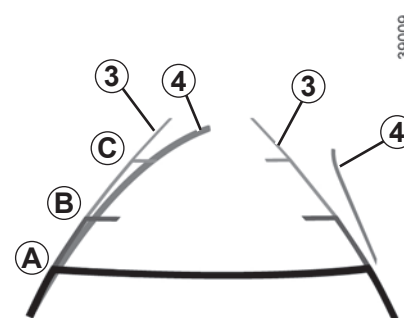


### Fixed gauge 3

The fixed clearance gauge comprises coloured markers **A**, **B** and **C**, indicating the distance behind the vehicle:

- **A** (red) approximately 30 centimetres from the vehicle;
- **B** (yellow) approximately 70 centimetres from the vehicle;
- **C** (green) approximately 150 centimetres from the vehicle.

This gauge remains fixed and indicates the vehicle trajectory if the wheels are in line with the vehicle.



### 4 moving guide line:

This is shown in blue on the multifunction screen **2**. It indicates the vehicle trajectory according to the position of the steering wheel.

### Special feature

Make sure that the camera is not obscured (by dirt, mud, snow, condensation, etc.).

## REVERSING CAMERA (2/2)



### Activating, deactivating the reversing camera

From the multifunction screen **2**, select “Vehicle”, “Settings”, “Parking assistance”, then “Rear view camera”. Activate or deactivate the reversing camera and confirm your choice.

You can also adjust the camera image settings (brightness, contrast, etc.)

The screen shows a reverse mirror image.

The frames are a representation projected onto flat ground; this information must not be taken into account when superimposed on a vertical object or an object on the ground.

Objects which appear on the edge of the screen may be deformed.

In very bright light (snow, vehicle in sunshine etc.), the camera vision may be adversely affected.

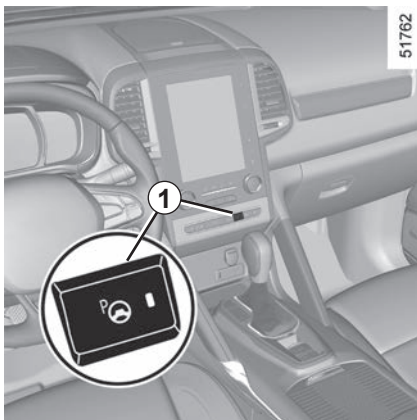
If the boot is open or poorly closed, the message “Boot open” appears and the camera display disappears.



This function is an additional aid. It cannot, therefore, under any circumstances replace the vigilance or the responsibility of the driver.

The driver should always look out for sudden hazards during driving: always ensure that there are no moving obstacles (such as a child, animal, pram, bicycle, etc.) or small, narrow objects such as stones or posts in your path when manoeuvring.

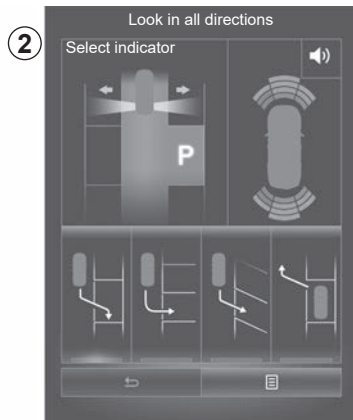
## ASSISTED PARKING (1/6)



This function assists with parking manoeuvres.

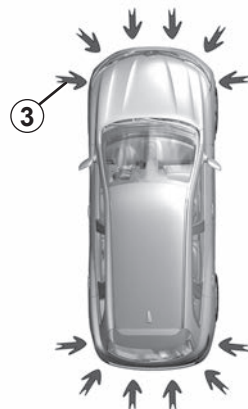
Take your hands off the steering wheel. You only control the pedals and the gear lever.

You can retake control at any time by operating the steering wheel.



### Switching on

With the vehicle at a standstill or driving at less than approximately 18.6 mph (30 km/h), press switch **1**. The warning light integrated on switch **1** lights up and the **2** screen appears on the multi-function screen.



### Special features

Ensure that the ultrasonic sensors indicated by arrows **3** are not obscured (by dirt, mud, snow, etc.).

## ASSISTED PARKING (2/6)

### Choice of manoeuvre

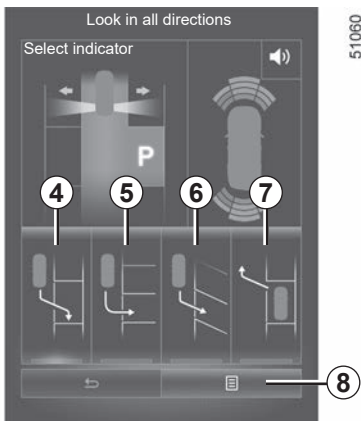
The system can perform four types of manoeuvres:

- 4 parallel parking;
- 5 perpendicular parking;
- 6 angle parking;
- 7 moving out of a parallel parking space.

From the multifunction screen, select the manoeuvre to be performed.

And activate the direction indicator (turn signal) on the side you wish to park.

**Note:** When starting the vehicle, or after successfully completed parallel parking using the system, the default manoeuvre proposed by the system is assistance in exiting a parallel parking space. In other cases, the default manoeuvre can be set with 8 from the multifunction screen.



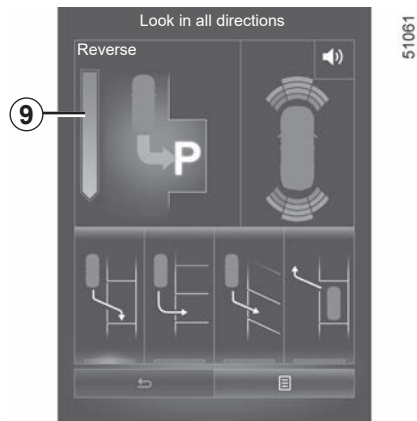
### Operation

#### Parking

As long as the vehicle speed is less than 18.6 mph (30 km/h), the system looks for available parking spaces on both sides of the vehicle.

Once a space has been found, it is displayed on the multifunction screen, indicated by a small letter “P”. So that the vehicle can detect a space, drive slowly, with the indicators activated on the same side as the space, until the message “Stop” is displayed, along with a beep.

The space is then indicated on the multifunction screen by a capital “P”.




- Stop the vehicle;
- select reverse gear.

Warning light  lights up on the instrument panel, along with a beep.

- release the steering wheel;
- follow the system instructions provided on the multifunction screen.

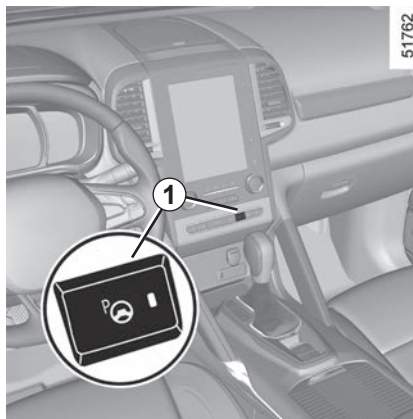
Your speed should not exceed around 4 mph (7 km/h). Bar 9 tells you the progress.

Once the warning light  on the instrument panel goes off and a beep sounds, the manoeuvre has been completed.

## ASSISTED PARKING (3/6)

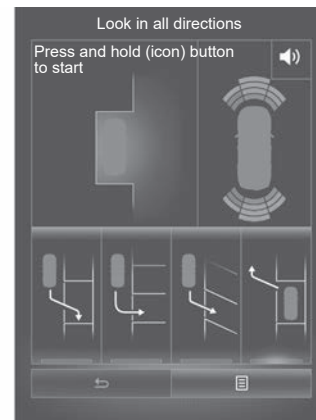
### Special note


- Drive slowly and always be ready to use the brake;
- The system can not detect parking spaces between objects except for vehicles such as a post, motorbike or obstacle;
- The system can not detect parking spaces made after detecting or before detecting;
- Maintain the distance about 50~150 cm from the parked vehicles when looking for parking spaces. The system may not detect spaces when the distance is less than 50 cm or over 150 cm;
- You can move the gear lever position **R** to **D** or **D** to **R** while parking. The system is still available.
- The driver should look out for the detected space if it is possible to park (obstacles in the space);
- If you fit a different tire or wheel, the system performance may be changed. For the best performance, fit the same size with original one;
- The system may not work if the wheels are misaligned. Contact an approved dealer.



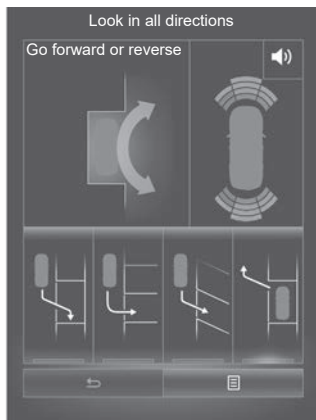
### Exiting a parallel parking space

- Select “exit parallel parking space” mode;
- activate the direction indicator on the side you wish to go out of;
- press and hold switch **1** (around 2 seconds).



- Warning light **P**  lights up on the instrument panel, along with a beep.
- release the steering wheel;
  - go forwards and backwards using the parking distance control system alerts.

## ASSISTED PARKING (4/6)



51063

### Special note

- While exiting the parking space, the system is disrupted for safety when there is risk to impact with obstacles;
- The system may not be operated when the space is small;
- When exiting or parking the space, drive forwards or backwards after rotating steering wheel.
- In case that the sensor is frozen or obscured, the surrounding has very high or small objects or posts, the system can be disrupted although there is exiting space.

Your speed should not exceed around 4 mph (7 km/h).

Once in position to exit the space, the system will notify you of the end of the manoeuvre.

Once the warning light  on the instrument panel goes off and a beep sounds, the manoeuvre has been completed.




## ASSISTED PARKING (5/6)

### Suspending the manoeuvre

The manoeuvre is suspended in the following circumstances:

- you take control of the wheel;
- a door or the boot is opened;
- the vehicle is at a standstill for too long;
- an obstacle in the direction of movement prevents the manoeuvre from being completed;
- the engine will stop.

Once the warning light  on the instrument panel goes off and a beep sounds, the manoeuvre has been suspended. Then to resume the manoeuvre, press and hold the system activation switch.

In this case, the reason for suspending the manoeuvre will be displayed on the multifunction screen.


Make sure:

- you have released the steering wheel and;
- that all doors and the boot are closed, and;
- that no obstacles are in the way of the direction of movement, and;
- that the engine is started.

### Cancelling the manoeuvre

The manoeuvre can be stopped in the following cases:

- by pressing the system activation switch;
- the vehicle speed has exceeded 4 mph (7 km/h);
- You have performed more than ten forwards/backwards movements in one manoeuvre;
- the parking distance control sensors are dirty or blocked;
- the vehicle wheels have skidded.

Once the warning light  on the instrument panel goes off and a beep sounds, the manoeuvre has been ended.

### Special note

The system may be disrupted in the following circumstances. In this cases, you should park by yourself because of risk to impact;

- if there are obstacles around posts;
- if the parking space has obstacles such as bicycles, motorbikes, narrow posts, etc;
- if the parking space is winding, slippery or uneven;
- if the tire pressure is lower or higher than the standard;
- in very bad weather (heavy rain, snow or strong winds);
- fitting different tires (snow chain, spare tire, different size wheel).

## ASSISTED PARKING (6/6)



This function is an additional driving aid. This function is not under any circumstances intended to replace the due care and attention of the driver, who should at all times be in control of the vehicle.

Make sure that the manoeuvre complies with the applicable traffic regulations at your location.

- The driver should always look out for sudden hazards during driving: always ensure that there are no small, narrow moving obstacles (such as a child, animal, pushchair, bicycle, stone, post, etc.) in the blind spot when manoeuvring.
- The system cannot detect objects located in the sensor blind spots.
- When manoeuvring, the steering wheel may turn quickly: do not put your hands inside, and make sure that nothing is caught inside.
- Always visually check that the parking space proposed by the system is still available and contains no obstacles.
- The system should only be used when towing a trailer or when there is a towing or load carrying system on the vehicle.

# AUTOMATIC TRANSMISSION (1/3)



## Selector lever 1

**P:** park

**R:** reverse

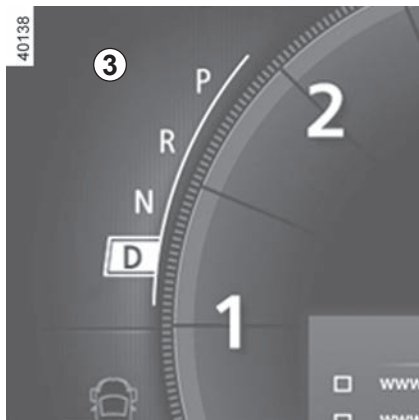
**N:** Neutral

**D:** automatic mode

**M:** manual mode

**Note:** Press the button 2 to go from position D or N to R or P.

**3:** displays the gear engaged in manual mode.



## Operation

With the selection lever 1 in position P, switch on the ignition.

To move out of position P, you must depress the brake pedal before pressing the unlocking button 2.

With your foot on the brake pedal

(warning light  on the display 3 goes out), move the lever out of position P.

**Only engage D or R when the vehicle is stopped, with your foot on the brake and the accelerator pedal released.**

## Driving in automatic mode

Move lever 1 to position D.

In most road conditions you will encounter, you will not need to touch your lever again: the gears will change automatically at the right time and at the most suitable engine speed because the automatic system takes into account the vehicle load and road contour and adjusts itself to the particular driving style you have chosen.

## Economical driving

When driving, always leave the lever in position D, keeping the accelerator pedal lightly depressed to ensure automatic gear changes at a lower engine speed.

## Accelerating and overtaking

Depress the accelerator pedal firmly and fully (so that it goes beyond the kickdown point).

**This will enable you to change down to the optimum gear within the engine range.**

## AUTOMATIC TRANSMISSION (2/3)



### Driving in manual mode

With the selection lever **1** in position **D**, move the lever to the left.

Shifting the lever repeatedly allows you to change gears manually:

- to move down through the gears, push the lever forwards;
- to move up through the gears, push the lever backwards.

The gear selected is displayed on the instrument panel.

### Special cases

In certain driving conditions (for example, engine protection, operation of the Electronic Stability Programme: the automatic system may change gear automatically.

Likewise, to prevent incorrect manoeuvres, a gear change may be refused by the automatic system: in this case the gear display flashes for a few seconds as a warning.

### Special circumstances

- **If the bends and road surface** do not allow you to stay in automatic mode (e.g. in the mountains), we recommend that you change to manual mode. This will prevent the automatic gearbox from changing gear repeatedly when climbing, and permit engine braking on long descents.
- **In cold weather**, start the engine and wait a few seconds before moving the selector lever from position **P** or **N** and engaging it in **D** or **R** to prevent the engine stalling.

When facing uphill, to remain stopped, do not keep your foot on the accelerator.

Risk of overheating the automatic gearbox.

# AUTOMATIC TRANSMISSION (3/3)

## Parking the vehicle

When the vehicle is stopped, move the lever to position **P** while keeping your foot on the brake pedal: the gearbox is in neutral and the drive wheels are mechanically locked by the driveshaft.

**Apply the parking brake or, depending on the vehicle, ensure that the electronic parking brake is applied.**



An impact to the underside of the vehicle while manoeuvring (e.g.: striking a post, raised kerb or other street furniture) may result in damage to the vehicle (e.g.: deformation of an axle).

To avoid any risk of accident, have your vehicle checked by an approved Dealer.

## Maintenance period

Refer to the maintenance document for your vehicle or consult an Approved Dealer to check whether the automatic gearbox requires scheduled maintenance.

If it does not need to be serviced, there is no need to top up the oil.

## Operating faults

- **when driving**, if the ‘check gearbox’ message appears on the instrument panel, it indicates a fault.

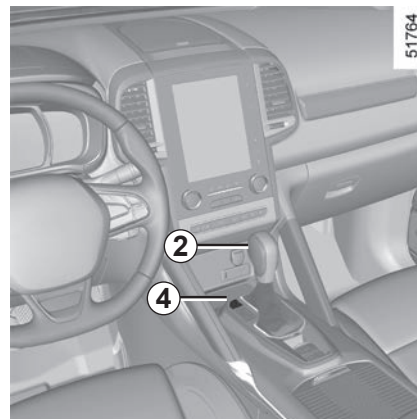
Contact your approved Dealer as soon as possible;

- **when driving**, if the message “Gearbox overheating” appears on the instrument panel, stop as soon as possible to let the gearbox cool down and wait for the message to disappear;

- **If a vehicle with an automatic gearbox breaks down**, refer to the information on “Towing” in Section 5.



For safety reasons, do not switch off the ignition before the vehicle has come to a complete standstill.



**When setting off**, if the lever is locked in position **P** even though you are pressing the brake pedal, the lever can be released manually. To do this, unclip the flap **4**, then insert a tool (with a hard rod to it) into the hole and press the button **2** at the same time in order to unlock the lever.

Contact an authorised dealer as soon as possible.

## EMERGENCY CALL (1/2)

If the vehicle is equipped with it, the emergency call is a system that allows the emergency services to be called automatically or manually in the event of an accident or illness, in order to reduce the time they take to arrive on the scene.

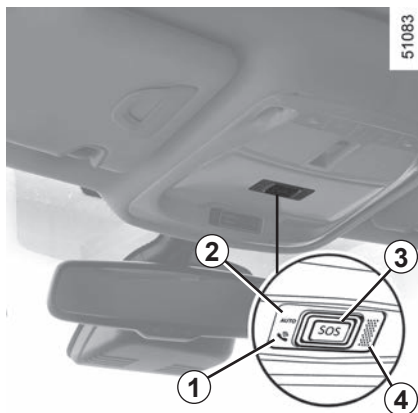
If you use the emergency call function to report an accident which you have witnessed, this implies stopping where traffic conditions allow to allow the emergency services to locate your vehicle and therefore the location of the reported accident.



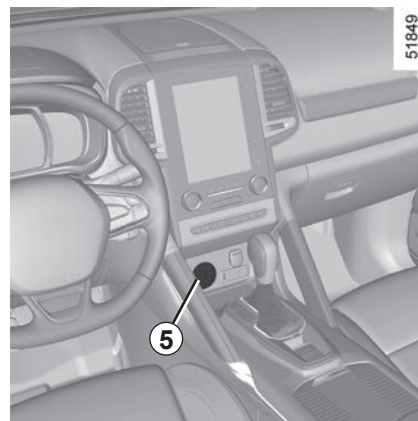
Use emergency call only in the event of an emergency if you are involved in or witness an accident or if you feel ill.



In the event of an accident, it is recommended that you stay close to the vehicle so that you can respond to the call centre if necessary.



- 1 Phone network availability light: on if network available (green light), off if network not available;
- 2 Automatic mode warning light;
- 3 SOS switch;
- 4 Microphone;
- 5 Speaker.



A call is always made as follows:

- the call is set up with the emergency services;
- data related to the event is sent out;
- voice communication with the emergency services;
- if necessary, emergency assistance is called.

Emergency call has two modes:

- automatic mode;
- manual mode;

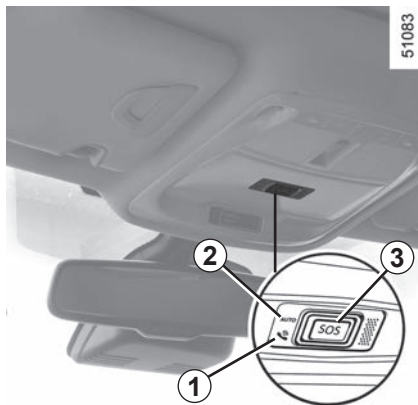
## EMERGENCY CALL (2/2)

### Automatic mode

When warning light **2** is on, this indicates that the automatic system is activated.

With ignition switched on, the emergency call is triggered automatically in the event of an accident with airbag activated. Data are transmitted to the call centre (vehicle identification plate, time of the call, vehicle position, direction of the vehicle, etc).

The automatic emergency call is activated by default and can be disabled on request of the user at an Approved Dealer.



### Manual mode

The emergency call is triggered by pressing switch **3**.

Emergency call has two modes:

- in normal mode by pressing switch **3** for more than 3 seconds;
- in panic mode by pressing switch **3** five times in less than 10 seconds.

In the event of unintended operation, it is possible to cancel the call by pressing switch **3** for 2 seconds before the call to the call centre is set up.

Once a call is established, only the call centre can end the call.

### Operating faults

In some cases, the emergency call function may not work:

- no fault detected and phone network unavailable;
- low battery;
- ...

When the system detects an operating fault, the warning light **1** turns red; consult an Approved Dealer as soon as possible.

Check the condition of the battery, its service life is approximately 4 years (warning light **1** lights up in red to inform you).

Consult an approved dealer.



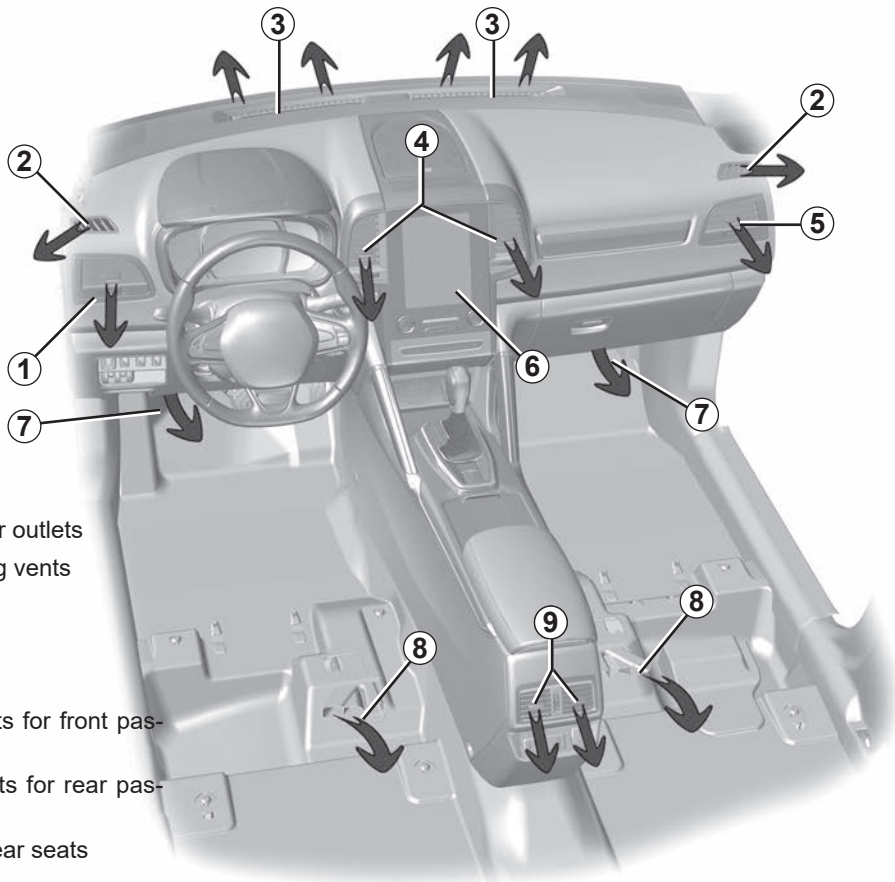


## Section 3: Your comfort

Air vents . . . . .	3.2
Manual air conditioning/heating system . . . . .	3.4
Automatic climate control . . . . .	3.7
Air conditioning: information and advice on use . . . . .	3.17
Outside air quality and deodorisation functions . . . . .	3.19
Electric windows . . . . .	3.20
Electric sunroof . . . . .	3.22
Interior lighting . . . . .	3.24
Passenger compartment storage space and fittings . . . . .	3.27
Ashtray, cigarette lighter, accessories socket . . . . .	3.32
Rear headrest . . . . .	3.33
Rear bench seat . . . . .	3.34
Boot . . . . .	3.37
Automatic tailgate . . . . .	3.38
Luggage cover . . . . .	3.43
Luggage net . . . . .	3.44
Luggage compartment storage . . . . .	3.46
Transporting objects in the boot . . . . .	3.47
Transporting objects: . . . . .	3.48
equipment . . . . .	3.48
Roof bars, Spoiler . . . . .	3.49
Multimedia equipment . . . . .	3.50

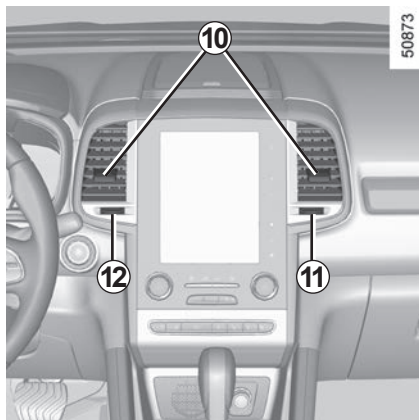
## AIR VENTS, air outlets (1/2)

50921



- 1 left-hand air vent
- 2 side window demister outlets
- 3 windscreen demisting vents
- 4 centre air vents
- 5 right-hand air vent
- 6 multifunction screen
- 7 footwell heater outlets for front passengers
- 8 footwell heater outlets for rear passengers
- 9 centre air vents for rear seats

## AIR VENTS, air outlets (2/2)



### Centre air vents.

#### Air flow

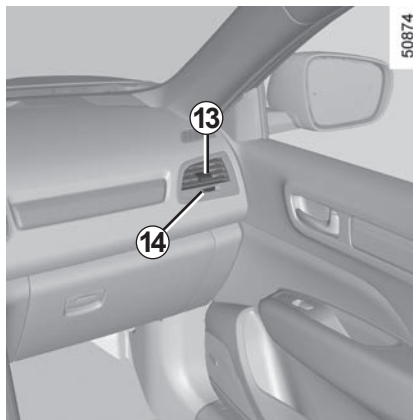
Move the control knob **11** or **12** (beyond the resistance point).

**11** left or **12** right: closed.

**11** right or **12** left: maximum air flow.

#### Direction

Move the cursors **10** to the desired position.



### Side air vents

#### Air flow

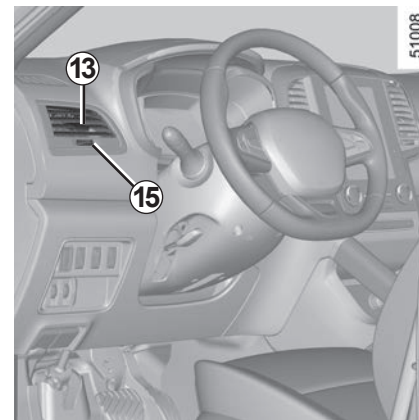
Move the control knob **14** or **15** (beyond the resistance point).

**14** left or **15** right: closed.

**14** right or **15** left: maximum air flow.

#### Direction

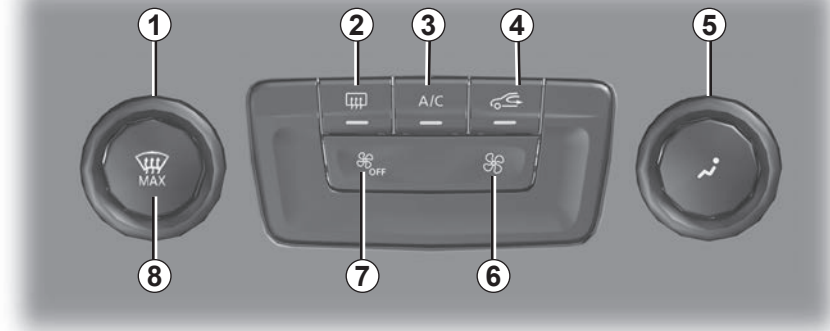
Move the cursors **13** to the desired position.



Do not add anything to the vehicle's ventilation circuit (for example, to remove bad odours).

**There is a risk of damage or of fire.**

# MANUAL AIR CONDITIONING (1/3)



51268

## The controls

- 1 Adjusting the air temperature.
- 2 De-icing/demisting of the rear screen and, depending on the vehicle, the door mirrors.
- 3 Air conditioning.
- 4 Air recirculation.
- 5 Adjusting air distribution in the passenger compartment.
- 6 Adjusting the ventilation fan speed.
- 7 Adjusting the ventilation speed and stopping the system.
- 8 "Clear view" function.

## Indicators

The following indicators are displayed on the multimedia screen **A**:

- 9 Air temperature.
- 10 Display for Clim ECO mode.
- 11 Fan speed.
- 12 Distribution of air in the passenger compartment.



51279

## Switching air conditioning on or off

The air conditioning is switched on (indicator light on) or off (indicator light off) using the control **3**.

## The air conditioning system is used for:

- lowering the temperature inside the passenger compartment;
- eliminating condensation more quickly.

## MANUAL AIR CONDITIONING (2/3)

### Distribution of air in the passenger compartment

There are five air distribution options. Turn control **5** to choose the distribution option.

The air distribution is displayed on the multimedia screen.



The air flow is directed to the windscreen and the front side window demisting vents.



The air flow is distributed between all the air vents, the front side window demisting vents, the windscreen demisting vents and the footwells.



The air flow is directed mainly towards the footwells.



The air flow is directed towards the dashboard air vents, the front footwells and, depending on the vehicle, the second row footwells.



All the air flow is directed to the dashboard vents.



51268

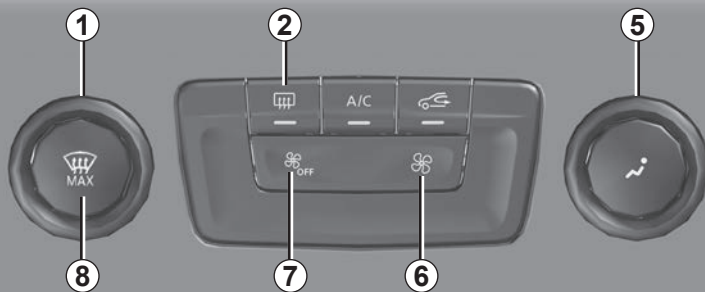
### Switching the air recirculation on

Press the control **4**: the integrated indicator light in the button comes on. Under these conditions, air is taken from the passenger compartment and is recirculated, with no air being taken from outside the vehicle.

#### Air recirculation is for:

- isolating the vehicle from the external atmosphere (driving in polluted areas, etc.);
- lowering the passenger compartment temperature as quickly as possible.

Prolonged use of air recirculation can lead to condensation forming on the side windows and windscreen, and discomfort due to the use of non-renewed air in the passenger compartment. We therefore advise you to return to normal mode (external air) as soon as the air recirculation function is no longer required, by pressing the control **4** again.



## Varying the ventilation speed

You can adjust the fan speed by pressing the controls **6** or **7** to increase or reduce the fan speed.

The system is deactivated (OFF): the ventilation speed is zero (vehicle stationary).

You may, however, feel a slight flow of air when the vehicle is moving.

## Adjusting the air temperature

Turn control **1** to obtain the desired temperature. The more bars are displayed on the multimedia screen, the higher the temperature.

When the air conditioning system is used for long periods, it may begin to feel cold. To increase the temperature, turn control **1** to the right.

## Stopping the system

To switch off the system, press the control **7** several times until the message "OFF" appears on the multimedia screen.

You may, however, feel a slight flow of air when the vehicle is moving.

## Clear view function

Press button **8** - the integrated indicator light comes on.

This function quickly demists and de-ices the windscreen, the rear screen, the front side windows, and the door mirrors (depending on the vehicle). The air conditioning and rear screen de-icing functions must be activated.

Press button **2** to stop the heated rear screen operating, and the integrated indicator goes out.

**To exit this function**, press button **8** again.

## Rear screen de-icing/ demisting

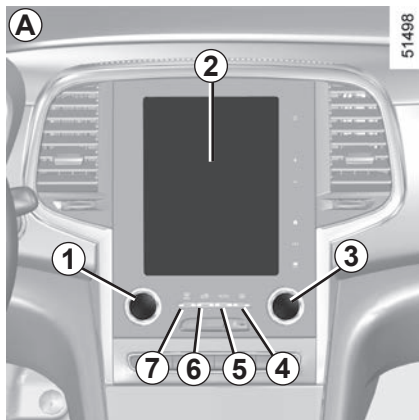
**With the engine running**, press the control **2**. The operating tell-tale comes on.

This function permits rapid demisting/ de-icing of the rear screen and de-icing of the door mirrors (on equipped vehicles).

**To exit this function**, press the control **2** again.

Demisting automatically stops.

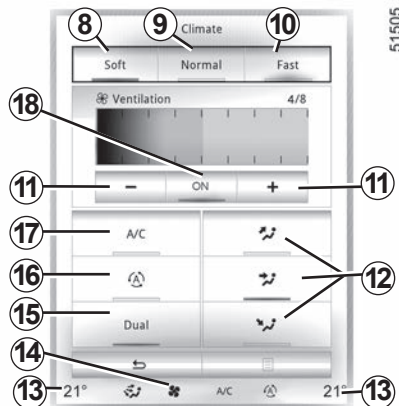
# AUTOMATIC CLIMATE CONTROL: Controls A (1/5)



## Controls A

Press zone **14** to access the multifunction screen **2**. The presence of the controls detailed below will depend on the vehicle model.

- 1** and **3** Left and right temperature indication adjustment.
- 4** De-icing/demisting of the rear screen and, depending on the vehicle, the door mirrors.
- 5, 8, 9** and **10** automatic modes (Normal, Soft, Fast)
- 6** Air recirculation.
- 7** “Clear View” function.



- 11** Ventilation speeds.
- 12** Distribution of air in the passenger-compartment.
- 13** Right and left temperature display.
- 14** Zone displaying air conditioning settings.
- 15** “DUAL” function.
- 16** Automatic recirculation function depending on the vehicle.
- 17** Air conditioning.
- 18** Stopping the system.

Some buttons have a warning light-indicating their operative state.

## Automatic mode

The automatic climate control system guarantees comfort in the passenger compartment and good visibility (except in the event of extreme conditions), while optimising consumption. The system controls the ventilation speed, air distribution, air recirculation, and starting and stopping the air conditioning and air temperature.

This mode consists of a choice of three programmes:

**NORMAL:** allows the selected comfort level to be best attained, depending on the exterior conditions. Press button **4** or key **9**.

**SOFT:** reaches the desired comfort level more gently and silently. Press button **8**.

**FAST:** increases the flow of air in the passenger compartment. This mode is recommended in particular to optimise comfort in the rear seats. Press button **10**.

# AUTOMATIC CLIMATE CONTROL: Controls A (2/5)

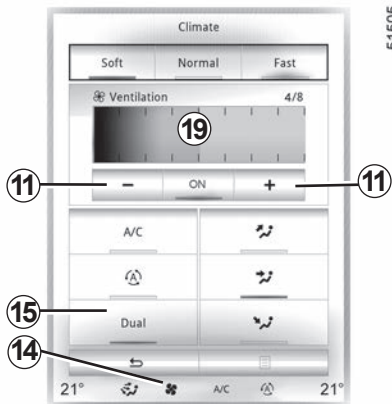


## Varying the ventilation speed

In automatic mode, the system uses the most suitable amount of air to reach and maintain the desired comfort level.

You can still adjust the ventilation speed by pressing buttons **11** or by sliding or touching your finger in zone **19**.

Depending on the vehicle, the ventilation speed, which is no longer controlled automatically, appears in zone **19** and zone **14**.



## Temperature adjustment

There are two types of settings:

- uniform passenger compartment setting;
- DUAL function setting to independently adjust the left and right sides.

### Uniform passenger compartment setting

Use control **1**.

### DUAL function setting

Press button **15** to activate. Use control **1** to adjust the left side and control **3** for the right side.

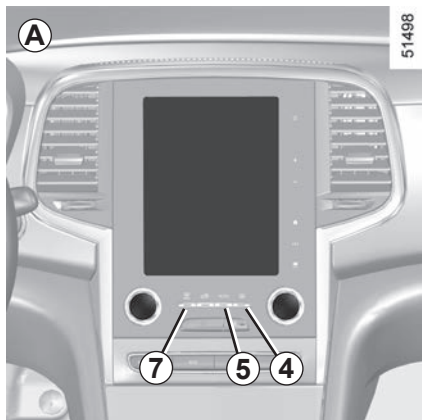
The displayed temperature values show a comfort level.

When starting the engine, increasing or decreasing the value displayed will not allow the comfort level to be reached any more quickly. The system will always optimise the temperature increase or decrease (the ventilation system does not start instantly at maximum speed: it gradually increases). This may take several minutes.

Generally speaking, unless there is a particular reason not to, the dashboard air vents should remain open.



## AUTOMATIC CLIMATE CONTROL: Controls A (3/5)



### Clear view function

This function quickly demists and de-ices the windscreen, the rear screen, the front side windows, and the door mirrors (depending on the vehicle). It imposes automatic operation of the air conditioning and rear screen de-icing and, depending on the vehicle, the windscreen electric de-icer.



Press button **7** – the integrated indicator light comes on.

Press button **4** to stop the heated rear screen operating, and the integrated indicator goes out.

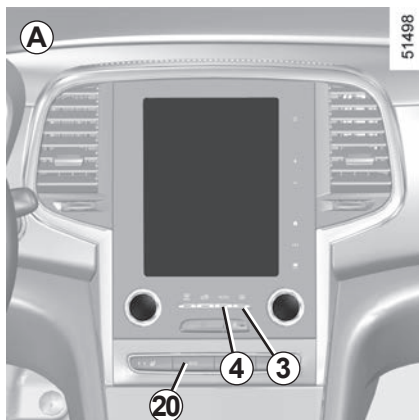
To adjust the ventilation speed: press buttons **11** or slide your finger in zone **19**.

To exit this function, press either:

- button **7**;
- again button **5**;
- on button **8**, **9** or **10**.

After the Clear View function, air conditioning can turn on automatically to maintain indoor demisting.

## AUTOMATIC CLIMATE CONTROL: Controls A (4/5)

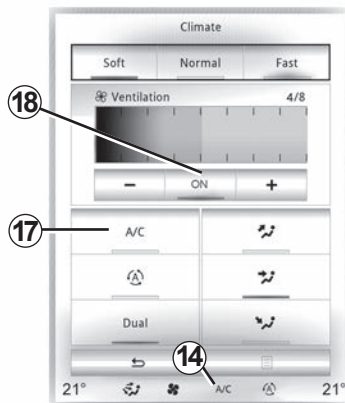


### Switching air conditioning on or off

In automatic mode, the system switches the air conditioning system on or off, depending on the climate conditions.

Press button **17** to:

- activate the air conditioning (a warning light in zone **14** comes on).
- deactivate the air conditioning (the warning light in zone **14** goes out)



### Stopping the system

Press button **18** to activate or deactivate the system (the operating warning light on button **18** notifies you of the system status).

### Rear screen de-icing/demisting

Press button **3** – the integrated indicator light comes on. This function enables rapid demisting or de-icing of the rear screen and de-icing of the door mirrors (on equipped vehicles).

**To exit this function**, press button **3** again. Demisting automatically stops.

### Using the ECO mode

- If you press the button **20** when the air conditioning operates, ECO mode activate.
- In the ECO mode, air conditioning speed and power is be weakened in order to optimize the fuel consumption.
- If you want to increase air conditioning speed and power, you should deactivate the ECO mode.

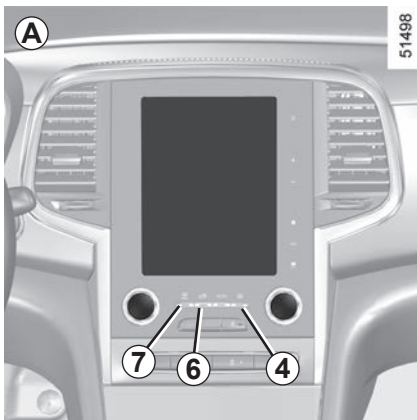
### It is preferable to use one of the automatic programmes **NORMAL**, **SOFT** or **FAST**.

In automatic mode (**4** warning light is lit), all air conditioning functions are controlled by the system.

You can still change the system selection. In this case, the warning light on the button **4** will go out and the changed function, which is no longer controlled by the system, will be shown on the display.

To return to automatic mode, press one of programmes **NORMAL**, **SOFT**, or **FAST**, or button **4**.

# AUTOMATIC CLIMATE CONTROL: Controls A (5/5)



## Adjusting the distribution of air in the passenger compartment

Press buttons **12** to select the desired distribution (a warning light is displayed in zone **14**):



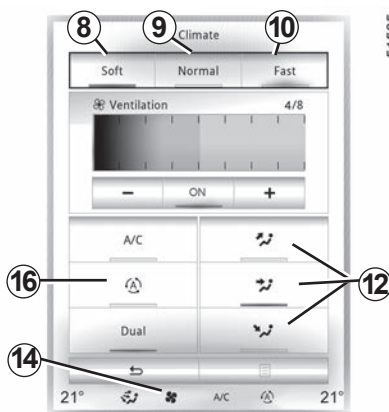
The air flow is mainly directed to the demisting vents for the windshield and the side windows.






The air flow is mainly directed to the dashboard air vents.



The air flow is directed mainly towards the footwells.



When  and  are chosen at the same time, there can be some drops of dew on the windscreen in summer and they are recommended to choose in winter.  is designed to flow a little air for pleasantness.

If you want to demist the windscreen fast, using Clear view function is recommended by pressing button **7**.

## Air recirculation

### Note:

- during recirculation, air is taken from the passenger compartment and is recycled, with no air being taken from outside the vehicle;
- air recirculation allows the external atmosphere to be cut off (when driving in polluted areas, etc.) and to cool the passenger compartment temperature more quickly.

### Automatic use

Depending on the vehicle, press button **16** (a warning light comes on in zone **14**).

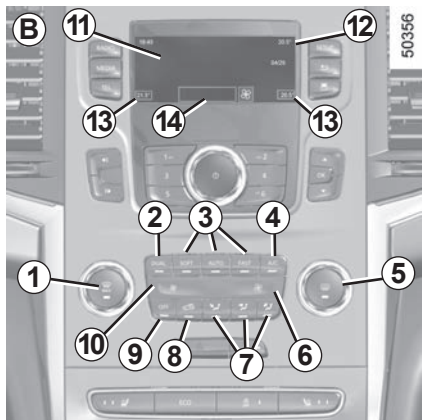
### Manual use

Depending on the vehicle, Press button **6** or **16** to force air recirculation.

Prolonged use of this position may lead to odours, caused by non-renewal of air, and the formation of condensation on the windows.

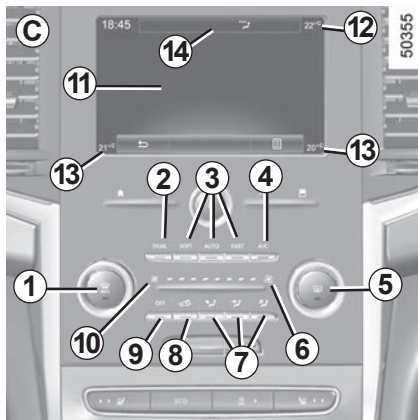
To exit this function, press one of **8, 9, 10** or button **6** or **16** again.

## AUTOMATIC CLIMATE CONTROL: Controls B and C (1/5)



### Controls B and C

- 1 Left temperature indication adjustment, "Clear View" function.
- 2 "DUAL" function.
- 3 Automatic modes (SOFT, AUTO, FAST).
- 4 Air conditioning ON/OFF.
- 5 Right temperature indication adjustment, De-icing/demisting of the rear screen and, depending on the vehicle, the door mirrors ON/OFF.
- 6 and 10 Ventilation speeds.
- 7 Distribution of air in the passenger compartment.
- 8 Air recirculation or Automatic recirculation depending on the vehicle.
- 9 System OFF or Air recirculation depending on the vehicle.



### Indicators

The following indicators are displayed on the screen **11**:

- 12 Outside air temperature display.
- 13 Left and right temperature display.
- 14 Active mode, ventilation speed and air distribution in the passenger compartment (temporary display after pressing the associated controls).

Some buttons have a warning light indicating their operative state.

### Automatic mode 3

The automatic climate control system guarantees comfort in the passenger compartment and good visibility (except in the event of extreme conditions), whilst optimising consumption. The system controls the ventilation speed, air distribution, air recirculation, and starting and stopping the air conditioning and air temperature.

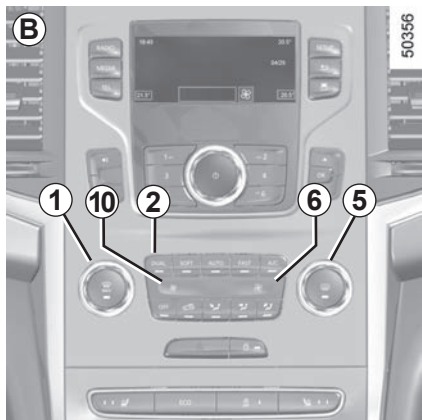
This mode consists of a choice of three programmes:

**AUTO**: allows the selected comfort level to be best attained, depending on the exterior conditions. Press the button **AUTO**.

**SOFT**: reaches the desired comfort level more gently and silently. Press the button **SOFT**.

**FAST**: increases the flow of air in the passenger compartment. This mode is recommended in particular to optimise comfort in the rear seats. Press the button **FAST**.

## AUTOMATIC CLIMATE CONTROL: Controls B and C (2/5)



### Varying the ventilation speed

In automatic mode, the system uses the most suitable amount of air to reach and maintain the desired comfort level.

You can still adjust the ventilation speed by pressing buttons **6** or **10** or, depending on the vehicle, by sliding or touching your finger in zone **15**.



### Temperature adjustment

There are two types of settings:

- Uniform passenger compartment setting;
- DUAL function setting to independently adjust the left and right sides.

#### Uniform passenger compartment setting

Use control **1**.

#### DUAL function setting

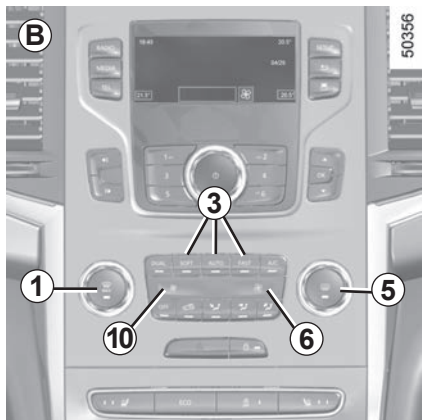
Press button **2** to activate/deactivate. Use control **1** to adjust the left side and control **5** for the right side.

The displayed temperature values show a comfort level.

When starting the engine, increasing or decreasing the value displayed will not allow the comfort level to be reached any more quickly. The system will always optimise the temperature increase or decrease (the ventilation system does not start instantly at maximum speed: it gradually increases). This may take several minutes.

Generally speaking, unless there is a particular reason not to, the dashboard air vents should remain open.

## AUTOMATIC CLIMATE CONTROL: Controls B and C (3/5)



### Clear view function

This function quickly demists and de-ices the windscreen, the rear screen, the front side windows, and the door mirrors (depending on the vehicle). It imposes automatic operation of the air conditioning and rear screen de-icing and, depending on the vehicle, the windscreen electric de-icer.



Press button **1** – the integrated indicator light comes on.

Press button **5** to stop the heated rear screen operating, and the integrated indicator goes out.

To adjust the ventilation speed: press-buttons **6** or **10** or slide your finger in zone **15**.

To exit this function, press either:

- again button **1**;
- one of the buttons **3**.

## AUTOMATIC CLIMATE CONTROL: Controls B and C (4/5)



### Switching air conditioning on or off

In automatic mode, the system switches the air conditioning system on or off, depending on the climate conditions.

Press button **4** to:

- activate the air conditioning (a warning light in zone **14** comes on).
- deactivate the air conditioning (the warning light in zone **14** goes out)



### Stopping the system

To switch the system off, press and hold the button **9** or **10** depending on the vehicle until the message OFF appears in zone **14**.

### Rear screen de-icing/demisting

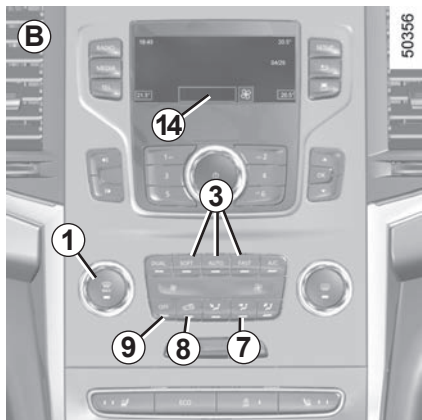
Press button **5** – the integrated indicator light comes on. This function enables rapid demisting or de-icing of the rear screen and de-icing of the door mirrors (on equipped vehicles).

**To exit this function**, press button **5** again. Demisting automatically stops.

#### Using the ECO mode


- If you press the button **16** when the air conditioning operates, ECO mode activate.
- In the ECO mode, air conditioning speed and power is be weakened in order to optimize the fuel consumption.
- If you want to increase air conditioning speed and power, you should deactivate the ECO mode.


## AUTOMATIC CLIMATE CONTROL: Controls B and C (5/5)




### Adjusting the distribution of air in the passenger compartment



Press buttons **7** to select the desired distribution (a message is displayed in zone **14**):

 The air flow is mainly directed to the demisting vents for the windshield and the side windows.

 The air flow is mainly directed to the dashboard air vents.

 The air flow is directed mainly towards the footwells.



When  and  are chosen at the same time, there can be some drops of dew on the windscreen in summer and they are recommended to

choose in winter.  is designed to flow a little air for pleasantness.

If you want to demist the windscreen fast, using Clear view function is recommended by pressing button **1**.

### Air recirculation

Depending on the vehicle or country, Press button **8** or **9**.

#### Note:

- during recirculation, air is taken from the passenger compartment and is recycled, with no air being taken from outside the vehicle;
- air recirculation allows the external atmosphere to be cut off (when driving in polluted areas, etc.) and to cool the passenger compartment temperature more quickly.

#### Manual use

Press button **8** or **9** to force air recirculation (a n indicator light is displayed).

Prolonged use of this position may lead to odours, caused by non-renewal of air, and the formation of condensation on the windows.

To exit this function, press one of **3** or button **8** again.

After the Clear View function, air conditioning can turn on automatically to maintain indoor demisting.



# AIR CONDITIONING: information and advice on use (1/2)

## Advice on use

In some situations, (air conditioning off, air recirculation activated, ventilation speed at zero or low, etc.) you may notice that condensation starts to form on the windows and windscreen.

If there is condensation, use the “**Clear View**” function to remove it, then use the air conditioning in automatic mode to stop it forming again.

### Vehicles equipped with mode ECO

Once activated, ECO mode may reduce air conditioning performance. Please refer to the information on “Driving advice, Eco-driving” in Section 2.



Do not add anything to the vehicle's ventilation circuit (for example, to remove bad odours). **There is a risk of damage or of fire.**

## Fuel consumption

You will normally notice an increase in fuel consumption (especially in town) when the air conditioning is operating.

For vehicles fitted with air conditioning with no automatic mode, switch off the system when it is not required.

### Advice for reducing consumption and helping to preserve the environment

Drive with the air vents open and the windows closed.

If the vehicle has been parked in the sun, open the doors for a few moments to let the hot air escape before starting the engine.

## Maintenance

Refer to the Maintenance Document for your vehicle for the inspection frequency.

Use the air conditioning system regularly, even in cold weather, running it at least once a month for approximately 5 minutes.

## Operating faults

As a general rule, contact your approved dealer in the event of an operating fault.

### – Reduction in de-icing, demisting or air conditioning performance.

This may be caused by the passenger compartment filter cartridge becoming clogged.

### – No cold air is being produced.

Check that the controls are set correctly and that the fuses are sound. Otherwise, switch off the system.

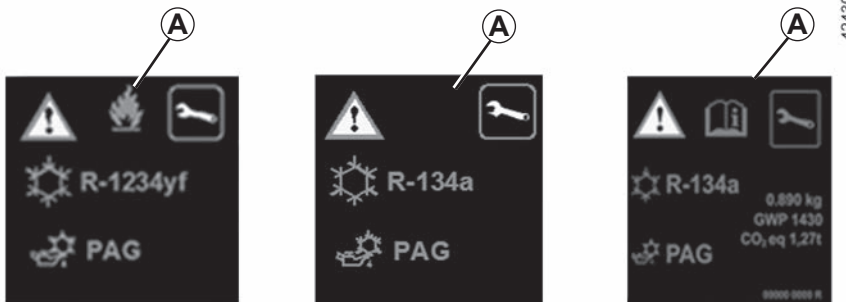
## Presence of water under the vehicle

After prolonged use of the air conditioning system, it is normal for water to be present under the vehicle. This is caused by condensation.



**Do not open the refrigerant fluid circuit.** The fluid may damage eyes or skin.

## AIR CONDITIONING: information and advice on use (2/2)



The refrigerant circuit may contain fluorinated greenhouse gases.

Depending on the vehicle, you will find the following information on label **A** affixed inside the engine compartment.

The presence and location of the information on label **A** depends on the vehicle.



**Do not open the refrigerant circuit.** The fluid may damage eyes or skin.



Before performing any action in the engine compartment, the ignition must be switched off (please see the information on “Starting, stopping the engine” in Section 2).



Type of refrigerant fluid



Type of oil in the air conditioning circuit



Inflammable product



Consult the driver's handbook



Maintenance

x.xxx kg

Quantity of refrigerant fluid present in the vehicle.

GWP xxxxx

Global Warming Potential (CO<sub>2</sub> equivalent).

CO<sub>2</sub> eq  
x.xx t

Quantity in weight and in CO<sub>2</sub> equivalent.

# OUTSIDE AIR QUALITY AND DEODORISATION FUNCTION



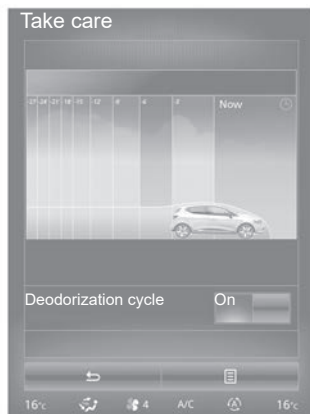
With the air conditioning switched on, from the screen **A**, select Menu, Vehicle, Take care.

## Outside air quality

The air quality is given using a graph on the multifunction screen.

Three colours indicate the air quality level (from the cleanest to the most polluted):

- 1 (blue)
- 2 (light grey)
- 3 (grey)



## Deodorisation function

This reduces unpleasant odours in the passenger compartment.

### Deodorization cycle

- ON: helps to reduce the unpleasant odour more quickly in the passenger compartment,
- OFF: stop the function.

### Note:

The function is on a timer. It stops automatically after a few minutes.

Please refer to the multimedia instructions for further information.

## ELECTRIC WINDOWS (1/2)



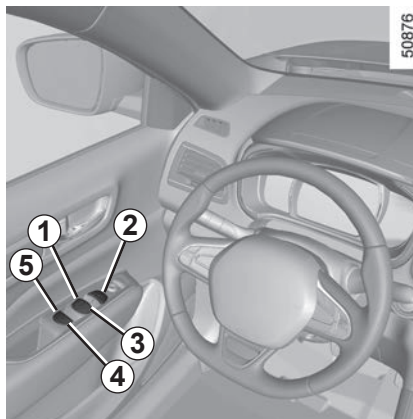
### Passenger safety

The driver can prevent the front and rear passenger electric windows from operating (and the driver's window) by pressing switch **2**. A confirmation message is displayed on the instrument panel.

### Driver's responsibility

Never leave your vehicle with the RENAULT card or key inside, and never leave a child, adult who is not self-sufficient or a pet, even for a short while. They may pose a risk to themselves or to others by starting the engine or activating equipment (such as the gear lever or electric windows). If any part of the body becomes trapped, reverse the direction of the window immediately by pressing the relevant switch.

### Risk of serious injury.



50876

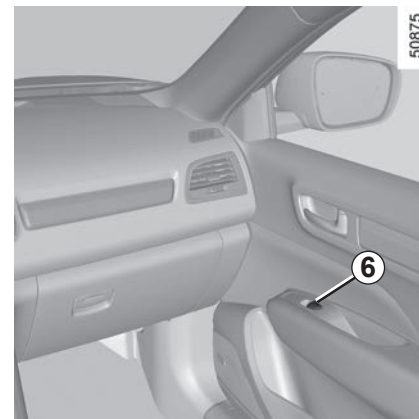
**These systems operate** with the ignition switched on.

Press or pull the switch to raise or lower a window to the desired height (the rear windows do not open fully);

From the driver's seat, use switch:

- 1** for the driver's side;
- 3** for the front passenger side;
- 4** and **5** for the rear passengers.

From the passenger seats, use switch **6**.



50875

Avoid resting any objects against a half-open window: there is a risk that the electric window winder could be damaged.

## ELECTRIC WINDOWS (2/2)

### One-touch mode

Depending on the vehicle, this mode works in addition to the operation of the electric windows described previously. It is only fitted to the driver's window. Briefly press or pull switch **1** fully: the window is fully lowered or raised. Pressing the switch again stops the window moving.

**Note:** if the window detects resistance when closing (e.g.: branch of a tree, etc.) it stops and then lowers again by a few centimetres.



When closing the windows, ensure that no part of the body (arm, hand, etc.) is protruding from the vehicle.

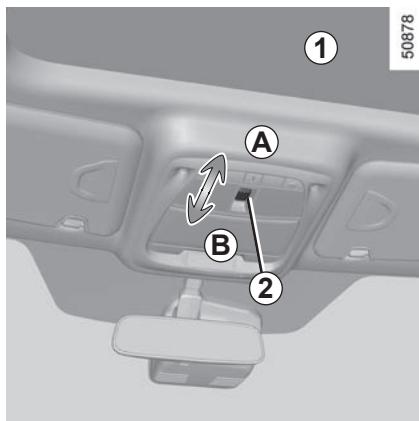
**Risk of serious injury.**

### Operating faults

In case of a fault when closing a window, the system reverts to normal mode: pull the switch concerned up as often as necessary to fully close the window (the window will close gradually), hold the switch (still on the closure side) for one second then lower and raise the window fully to reinitialise the system.

If necessary, contact your authorised dealer.

## ELECTRIC SUNROOF (1/2)



### To slide the curtain 1

With the ignition on:

- **Full opening:** push switch **2** to the middle of position **A**;
- **Full closing:** push switch **2** to the end of position **B**.

It doesn't need to be held. The curtain will automatically open or close all the way.

### To tilt the sunroof

When the sunroof is closed, press switch **2** to tilt up the sunroof. It doesn't need to be held.

When the sunroof is tilt, press switch **2** to close the sunroof. It doesn't need to be held.

### Special features

If the window detects resistance when closing or tilting down (e.g.: branch of a tree, etc.) it moves to the front or tilts up.

If this function malfunctions and repeats opening or tilting up the sunroof, keep pushing the tilt down switch within 5 seconds after it happens; the sunroof will fully close gradually. Make sure nothing is caught in the sunroof.



### Driver's responsibility when parking or stopping the vehicle

Never leave an animal, child or adult who is not self-sufficient alone on your vehicle, even for a short time.

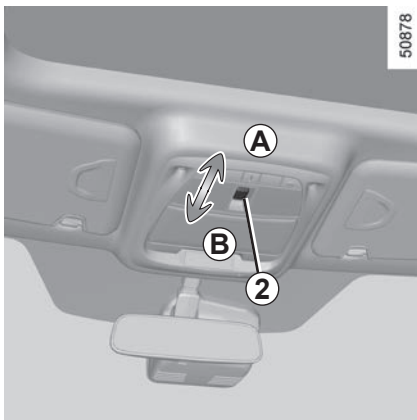
They may pose a risk to themselves or to others by starting the engine, activating equipment such as the electric windows or locking the doors.

Also, in hot and/or sunny weather, please remember that the temperature inside the passenger compartment increases very quickly.

If something gets trapped, reverse the direction of travel as soon as possible by pushing switch **2** to the position **A**.

**RISK OF DEATH OR SERIOUS INJURY.**

## ELECTRIC SUNROOF (2/2)



### To slide the sunroof

#### With the ignition on:

- **Comfort opening:** push switch **2** to the middle of position **A**;
- **Full opening:** push switch **2** to the end of position **A**;
- **Comfort closing:** push switch **2** to the middle of position **B**;
- **Full closing:** push switch **2** to the end of position **B**.

It doesn't need to be held. The sunroof will automatically open or close all the way. To stop the window, push the switch once more while it is opening or closing.

Note: If you wish to open the sunroof while driving, comfort opening is recommended to prohibit wind buffeting.

### Precautions during use

#### - Vehicle with loaded roof bars.

As a general rule, if there is a load on the roof, use of the sunroof is not recommended.

Before using the sunroof, check the objects and/or accessories (bike racks, roof boxes, etc.) attached to the roof bars: they should be properly arranged and secured and should not interfere with the operation of the sunroof.

Contact an approved dealer for details of possible conversions;

- **check** that the sunroof is properly closed before leaving your vehicle;
- **clean** the seal every three months using products recommended by our Technical Department;
- **do not open** the sunroof immediately after it has rained or immediately after washing the vehicle.

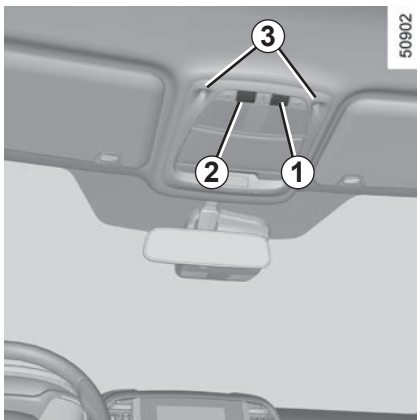
### Operating fault

If the sunroof does not close, please consult an authorised dealer.



Closing the sunroof can cause severe injuries.

## INTERIOR LIGHTING (1/3)



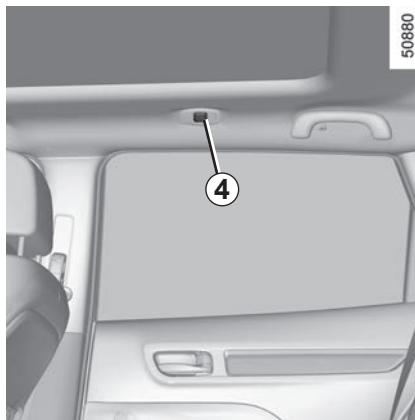
### Interior lights switch 1

Press switch **1** to turn on/off map reading light **3** and **4**. When a door is open, door light **5** and foot light **6** are ON.

### Interior lights switch 2

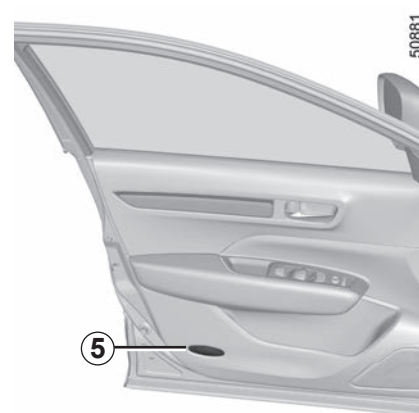
Press switch **1** to turn on/off door light **5** and foot light **6**. When a door is open, map reading light **3** and **4** are ON. You can turn on/off the front door and foot lights with the switch **2** control although the doors are closed.

When the doors or boot are unlocked and opened, the reading and footwell lights come on temporarily.



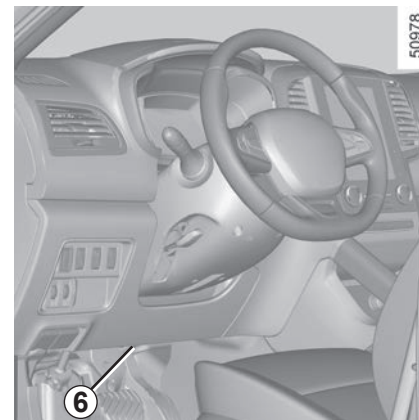
Note: For vehicles fitted with a navigation system, you can use the multifunction screen to deactivate/activate the courtesy lights which come on when the doors or boot are opened. To do this, please refer to “Vehicle settings customisation menu” in Section 1.

With the doors properly shut, locking or starting the engine makes the interior lights and the courtesy lights go out.



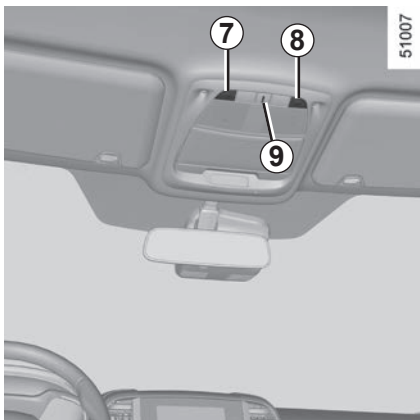
### Front door lights 5

### Front footwell lights 6





## INTERIOR LIGHTING (2/3)

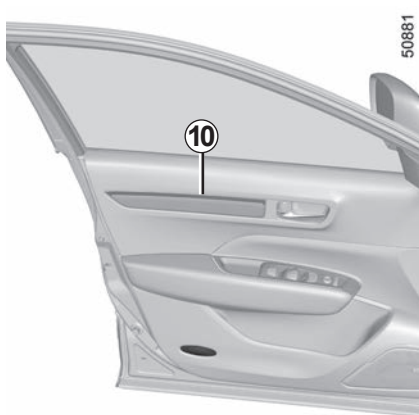


### Map reading lights switch 7, 8

Press switch 7, 8 to turn on/off left or-right map reading light independently.

### Front mood light 9

Front mood light 9 comes on when the illumination is turned on.



### Front and rear door ambient light

Front and rear door ambient light 10 comes on when the door is opened.

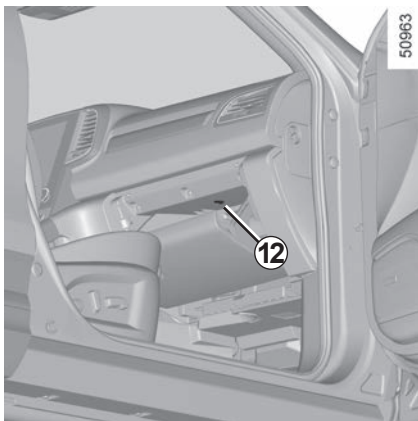


### Center console ambient light

Center console ambient light 11 comes on when the door is opened.

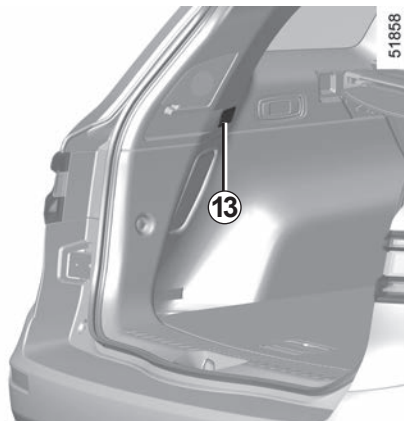
**Note:** interior ambient lights can be controlled by multifunction screen depending on the vehicle. For more information, please see to the multimedia system instructions.

## INTERIOR LIGHTING (3/3)



### Glove box light

Glove box light **12** comes on when the illumination is turned on.



### Boot lights

Light **13** comes on when the boot is opened.

# PASSENGER COMPARTMENT STORAGE, FITTINGS (1/5)

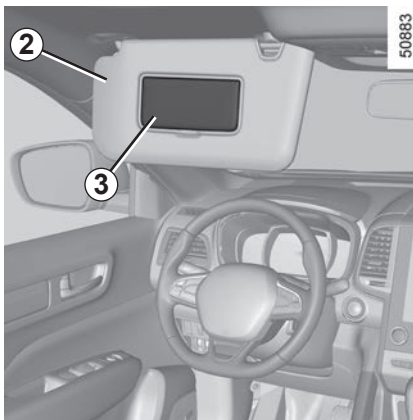


## Front door storage pockets 1

They can hold a 1.5-litre bottle.



Nothing should be placed on the floor area in front of the driver as such objects may slide under the pedal during braking manoeuvres, thus obstructing its use.



## Front sun visor

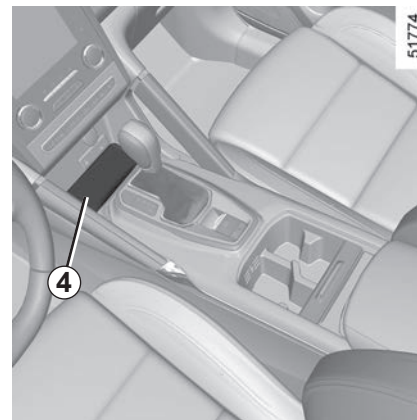
Lower sun visor 2.

## Courtesy mirrors

Lift the cover 3.



When driving, ensure the courtesy mirror cover is closed. Risk of injury.

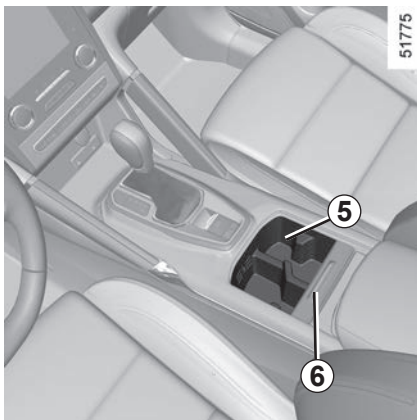


## Centre console storage compartment 4



Ensure that no hard, heavy or pointed objects are placed in the “open” storage compartments in such a way that they may fall onto passengers during sudden turning, braking or in the event of an accident.

## PASSENGER COMPARTMENT STORAGE, FITTINGS (2/5)



### Cup holders 5

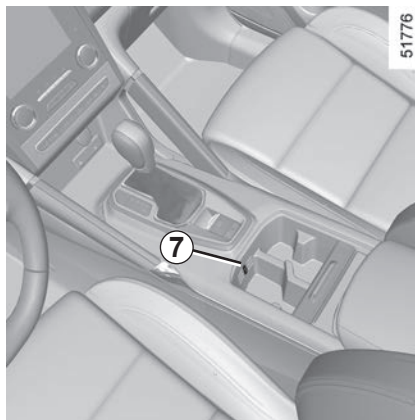
This can be used for storing a mobile ashtray, cup holder, etc.

Slide the curtain 6 to open the storage compartment.

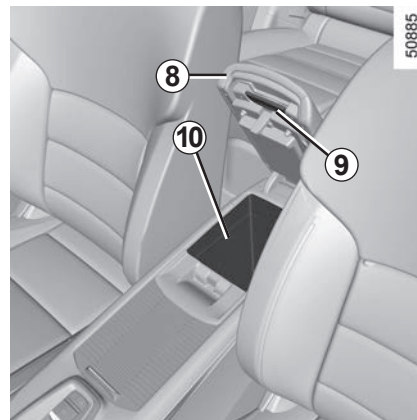


When turning corners, accelerating or braking, ensure that the receptacle being held by the cup holder is not dislodged.

There is a risk of injury if hot liquid escapes.



Raise the button 7 to ventilate the storage according to the temperature set by the air conditioner. Lower the button to stop the function.



### Front centre armrest storage compartment 10

With the sliding armrest 8 in its rear-most position, lifting the control 9 and raise the armrest.

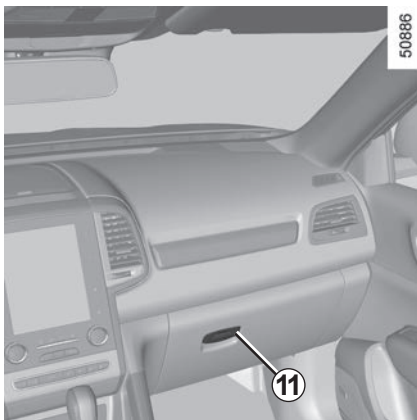


Do not kneel down or foot on the armrest. There is a risk of injury.



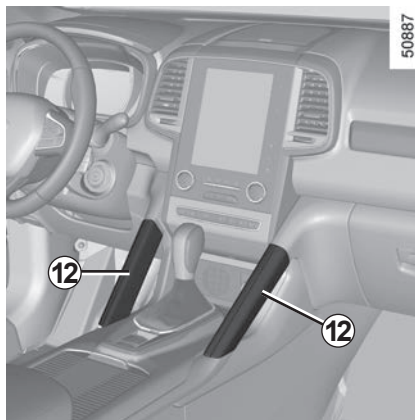
Do not insert your finger while sliding the armrest. There is a risk of injury.

## PASSENGER COMPARTMENT STORAGE, FITTINGS (3/5)



### Glove box

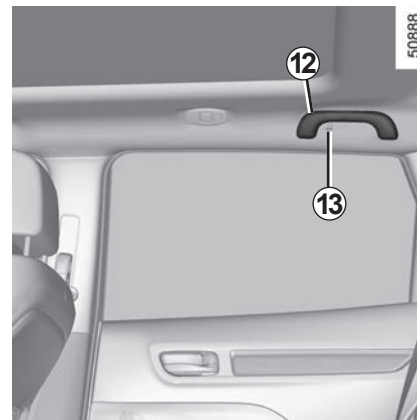
To open the glove box, lift the catch **11**.



### Grab handle **12**

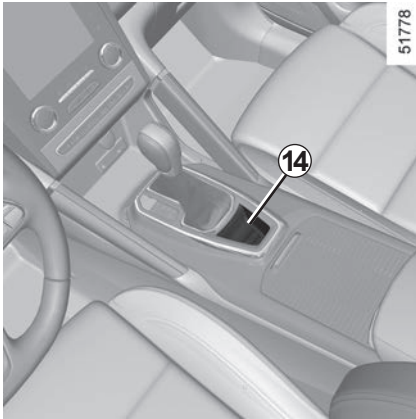
This offers support and can be held when the vehicle is being driven.

Do not use it for getting into or out of the vehicle.

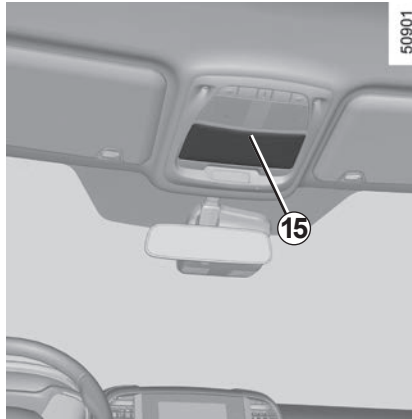


### Clothes hooks **13**

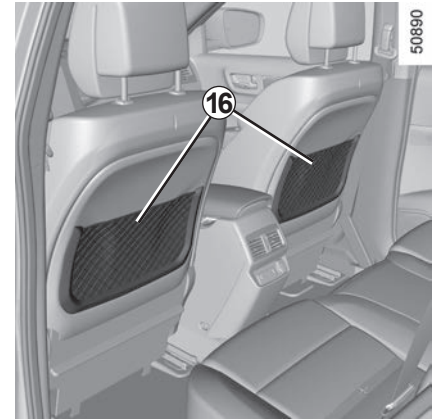
## PASSENGER COMPARTMENT STORAGE, FITTINGS (4/5)



**Coin holder 14**  
(depending on the vehicle)



**Sunglasses holder 15**  
(depending on the vehicle)  
Push **15** to open the sunglasses holder.



**Front seat storage pockets 16**

## PASSENGER COMPARTMENT STORAGE, FITTINGS (5/5)



### Rear armrest with cup holder

Pull down the armrest 17.



When turning corners, accelerating or braking, ensure that the receptacle being held by the cup holder is not dislodged.

There is a risk of injury if hot liquid escapes.

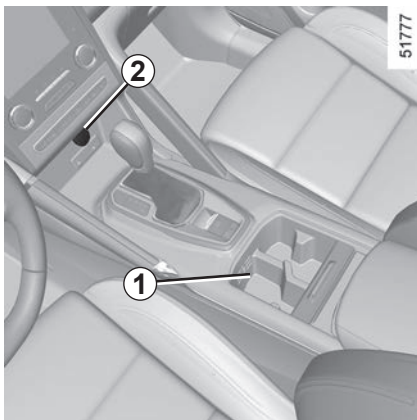


### Rear door storage compartment 18



Ensure that no hard, heavy or pointed objects are placed in the “open” storage compartments in such a way that they may fall onto passengers during sudden turning, braking or in the event of an accident.

# ASHTRAY, CIGARETTE LIGHTER, ACCESSORIES SOCKET



## Ashtray location 1

## Cigarette lighter or accessories sockets 2

With the ignition on, push in the cigarette lighter 2 - it will spring back with a click when it is ready. Pull it out to use.

After use, replace it without pushing it all the way in.

If your vehicle is not fitted with a cigar lighter and an ashtray, these can be obtained from an approved Dealer.



## Accessories sockets 3

They are provided for connecting accessories approved by our Technical Department.



Connect accessories with a maximum power of 120 watts (12 V) only.

When several accessory sockets are used at the same time, the total power of the connected accessories must not exceed 180 watts.

**Fire hazard.**



# REAR HEADRESTS



## Position for use

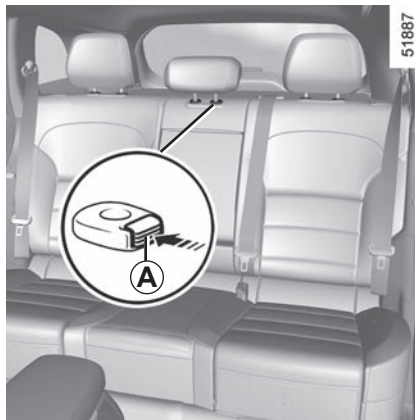
Lift the headrest to maximum height, then lower it until it locks.

## To remove a headrest

Raise the headrest as far as it will go, then press button **A** and remove the headrest.

## To refit a headrest

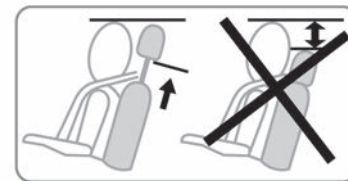
Insert the rods in the holes, press the button **A** and lower the headrest. Check that it is correctly locked in place.



## Centre seat headrest storage position

Press the button **A** and lower the central headrest completely.

**When the headrest is set at the lowest position, this is for storage only.** It should not be in this position when a seat is occupied.

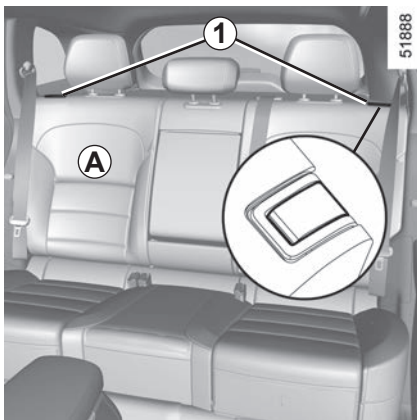


**Note:** When the headrest need to be reassembled, pay attention to its position which is drawn in the label.



The headrest is a safety component; check that it is fitted and in the correct position. The top of the headrest should be as close as possible to the top of the head.

## REAR BENCH SEAT (1/3)



### To manually fold down the seatbacks

Ensure that the front seats are far enough forward.  
Lower the headrests fully.  
Pull the control **1** and lower the seatback **A**.



For safety reasons, carry out any adjustments when the vehicle is not being driven.



The configuration of the two-seat bench with the small seatback **B** pulled down, does not allow the central seat to be used as it would be impossible to buckle the seat belt (belt buckles inaccessible).

To replace the seatback, proceed in the reverse order to removal.  
Refit the seatback and click it back into place.



When refitting the seatback, make sure it is correctly locked in place.

If seat covers are fitted, make sure these do not prevent the seatback latch from locking in.  
Make sure that the seat belts are positioned correctly.  
Reposition the headrests.



When moving the rear seats, ensure that nothing obstructs the anchorage points (passenger's arm or leg, a pet, gravel, cloth, toys, etc.).

## REAR BENCH SEAT (2/3)

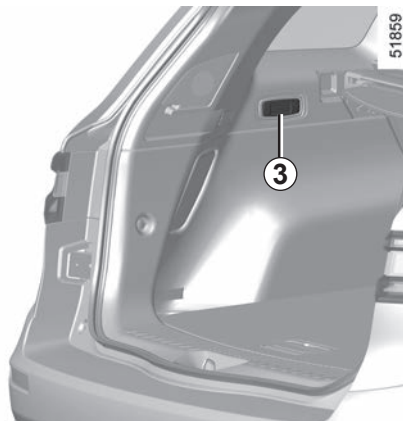


### To automatically fold down the seatbacks (flat position)

Place seat belt in hook **2** to avoid damaging the belt. From the boot, pulling the control **3** enables you to automatically unlock the rear bench seatbacks to get a flat floor.



When moving the rear seats, ensure that nothing obstructs the anchorage points (passenger's arm or leg, a pet, gravel, cloth, toys, etc.).



### Conditions of use

- Vehicle stationary;
- tailgate open;
- rear seat belts unlocked.

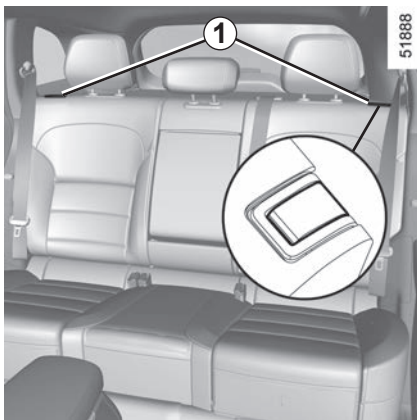
### Operating fault

If all user conditions have been fulfilled and the folding action still fails to operate, please contact an authorised dealer.



For safety reasons, carry out any adjustments when the vehicle is not being driven.

## REAR BENCH SEAT (3/3)



### Adjusting the seatback

To tilt the seatbacks on the rear seat:

- Tilt it backwards while pull the control **1**;
- Adjust it to desired inclination;
- Release the control **1** and hold it.

To return the rear seatback to its original position:

- Pull the control **1** and tilt it forward;
- Release the control **1** and return it to its original position.

Make sure that the seatbacks are correctly locked in position.



Make sure that the seatbacks are correctly locked in place.



Depending on the vehicle, if you lower the rear seats armrest, there is a rear seats heating controller on the rear armrest.

### Rear heated seats

(depending on the vehicle)

With the engine running, press switch **4** (for left side of the rear seat) or switch **5** (for right side of the rear seat). The indicator light on the switch lights on to confirm that the heating has been activated.

Press the left side of the switch to select the warmest setting or the right side of the switch to select the average setting.

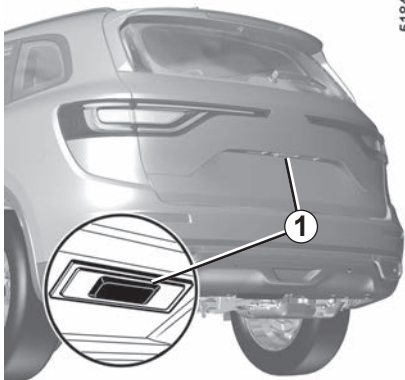
The middle position of the switch is off. The indicator light in the switch lights off.

The system, which has a thermostat, decides whether heating is needed depending on the position selected and stops heating once a certain temperature has been reached.



For safety reasons, carry out any adjustments when the vehicle is not being driven.

# BOOT

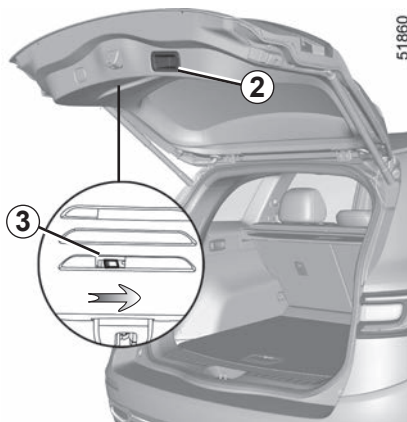


## To open

Press button **1** and lift the tailgate.

## To close

Lower the tailgate using the handles **2** inside the tailgate to help you.



## Opening the doors manually from the inside

If it is impossible to unlock the tailgate, it can be done manually from inside:

- access the luggage compartment by tilting the rear bench seatback(s),
- insert a pencil or similar object in recess **3** and slide the unit as shown in the illustration;
- push the tailgate to open it.

## AUTOMATIC TAILGATE (1/5)

If fitted on the vehicle, the tailgate locks and unlocks at the same time as the doors.

Depending on the vehicle, you have several different ways to manoeuvre the tailgate:

- using the RENAULT card remote control;
- using the controls on the tailgate;
- using the dashboard control;
- using the hands-free function.



The attaching of any carrying device (bike rack, luggage box, etc.) resting on the luggage compartment lid is prohibited. To install a carrying device on your vehicle, contact an Approved Dealer.

### Conditions of use

- Immobilise the vehicle.
- If there is any ice or snow preventing the tailgate from opening, this ice or snow must be removed to free the tailgate.
- In the event that the battery is discharged or if it is changed, the tailgate should be closed (manually if necessary) to restart the tailgate motor.



Ensure that nobody is close to the moving parts when opening/closing the tailgate.

**Risk of injury.**

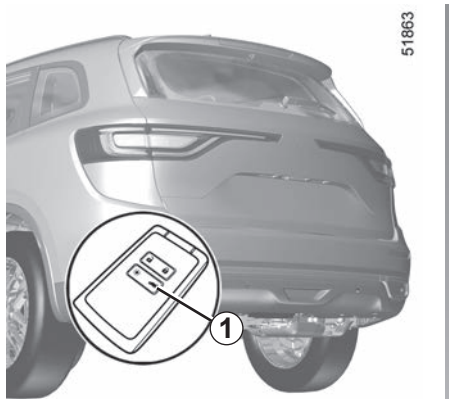
### Opening/Closing

Activating the automatic tailgate opening or closing using the dashboard control or using the RENAULT card causes **three beeps** to sound just before the tailgate begins to move.

When opening or closing the tailgate, ensure that nothing interferes with the manoeuvre.

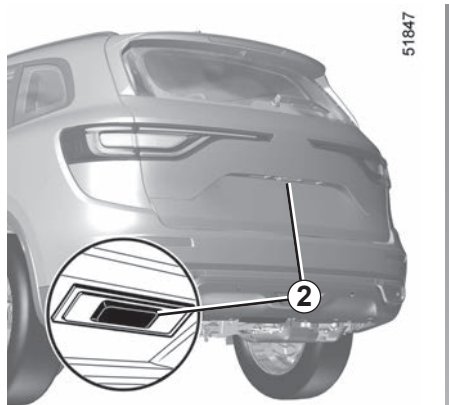
To avoid damaging the tailgate system, do not manually force the tailgate to open or close while it is moving.

## AUTOMATIC TAILGATE (2/5)



### Using the RENAULT card remote control

With the ignition off, press and hold switch **1** on the RENAULT card.



### Using the tailgate exterior opening control

Press control **2**.



### Using the tailgate interior closing control

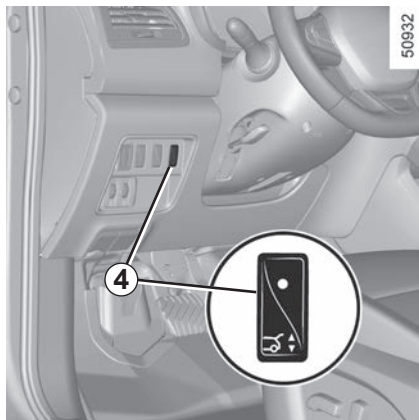
Press control **3**.



As a safety precaution, the doors should only be opened or closed when the vehicle is stationary.

**Risk of injury.**

## AUTOMATIC TAILGATE (3/5)



### Using the dashboard control

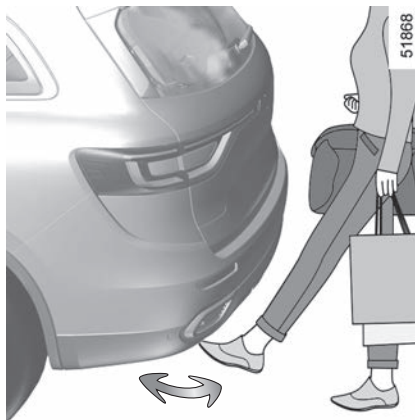
Depending on the vehicle, press and hold switch 4.

### Using the hands-free function

The hands-free function grants access to the boot or allows it to be closed while you have your hands full.

With the RENAULT card on your person and with the ignition off, perform a forwards/backwards movement with your foot under the rear bumper.

The sensor detects the approach and removal of your foot and triggers the opening or closing of the tailgate.



Do not keep your foot in the air. Carry out the movement without stopping.

**Note:** With the tailgate open, after detecting a closure control, it waits around 3 seconds before triggering the closure (a beep is emitted every second).

### Activation/deactivation of the hands-free function

Using the multifunction screen, select menu "Vehicle", "User settings" then "Use handsfree card: open/close". Select "ON" or "OFF" to activate or deactivate the function.

### Usage features of the hands-free function

- the hands-free function is no longer available after a few days of lack of movement of the vehicle, or after around 15 minutes if the vehicle is unlocked. To reactivate it, use the unlocking button on the RENAULT card.
- The "Hands-free" function is only available if the vehicle is stationary and the engine is switched off (and not on standby with the Stop and Start function).
- The «hands-free» feature may not work if the vehicle is equipped with a towbar or is in an area of high electromagnetic radiation.



## AUTOMATIC TAILGATE (4/5)

### Stopping the tailgate manoeuvre

The automatic tailgate manoeuvre can be stopped at any time by a short press on one of the controls. Depending on the opening position, the tailgate hatch can however continue to be opened manually.

If the tailgate is stationary in the intermediate position, your next press will move the tailgate in the opposite direction to when you stopped it.

### Manual mode

After stopping the tailgate, you can perform the manoeuvre manually if you wish.

You can switch to automatic movement at any time by pressing one of the controls.

### Obstacle detection

When the tailgate window encounters an obstacle (presence of an object or person) when it is moving, it stops. Depending on the opening position, the tailgate hatch can however continue to be opened manually.

Press the tailgate opening/closing control to reperform the tailgate movement in the same direction as before encountering the obstacle.



The obstacle detection is an aid to opening and closing the tailgate, it does not in any way replace the user's care or responsibility.



51861

### Limiting the tailgate opening angle

You can adjust the maximum tailgate opening height. It will always stop at the chosen position:

- open the tailgate to an intermediate position;
- manually adjust the tailgate to the chosen position;
- press the automatic tailgate control **3** for more than 3 seconds to save the position.

Two beeps will sound to notify you that the position has been saved.

## AUTOMATIC TAILGATE (5/5)

### Precautions during use

Before opening/closing the tailgate, ensure that the surrounding space is sufficient to allow the tailgate to operate. If not, stop the tailgate movement with the external tailgate control and hold the tailgate in position by hand (the tailgate may continue to open manually).

If the tailgate is moving and the engine is started, the movement will stop for a seconds before continuing.

Avoid multiple manual stops during the automatic tailgate movement (risk of damaging the tailgate system).

Make sure that the sensors are not obscured (by dirt, mud, snow, road salt etc.).

### Operating faults

If you activate the automatic tailgate continuously for around a minute (sequence of opening and closing), it will stop in order to avoid overheating. The operation will return to normal after about a minute.

The automatic tailgate will not operate if the battery is on low charge. In this case, operate the automatic tailgate with the engine started.

#### Note

In very cold weather conditions, the automatic opening may not operate if the trunk lid joints are frozen.



Disable the «hands-free» function before washing the vehicle manually or handling the emergency spare wheel or the towbar.

**Risk of accidental opening or closing of the tailgate which may cause injury.**



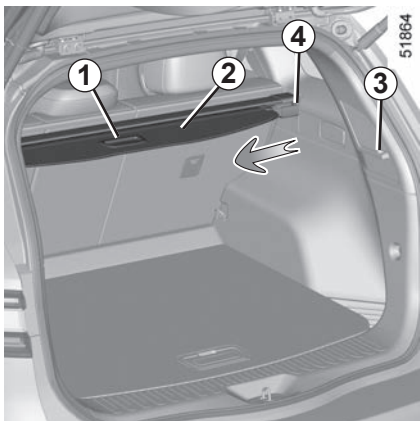
### **Driver's responsibility when parking or stopping the vehicle**

Never leave your vehicle with a child, an adult who is not self-sufficient or a pet inside or at the rear of the tailgate, even for a short while.

They may pose a risk to themselves or to others by starting the engine, activating equipment such as the electric windows, the automatic tailgate or by locking the doors.

**RISK OF DEATH OR SERIOUS INJURY.**

# LUGGAGE COMPARTMENT COVER



## To unfold the luggage compartment cover 2

Pull handle **1** located under the cover and place each end of the cover in the notch **3**.



## To remove the flexible section of the luggage compartment cover 2

Pull handle **1** gently then lift it while unfolding the luggage compartment cover.

## Removing/refitting the luggage cover 2

Press the two ends **4** to maximum and move them towards the centre of the luggage compartment cover, then tilt the cover.

To fit the luggage cover, carry out this procedure in reverse.

The luggage compartment cover is heavy.



Do not place any heavy or solid objects on the luggage cover. These may pose a risk to the vehicle occupants if the driver has to brake suddenly or if the vehicle is involved in an accident.

## LUGGAGE NET (1/2)

41118

**A**



**B**



Depending on the vehicle, this may be used when transporting animals or luggage to isolate them from the passenger section.

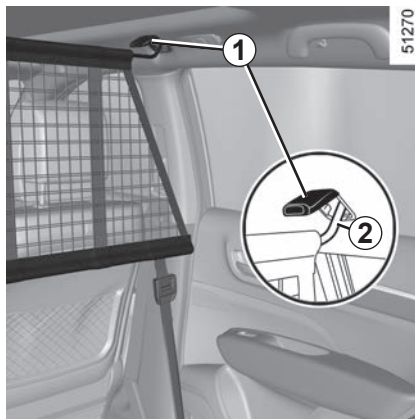
It can be positioned:

- **A**: behind the rear seats;
- **B**: behind the front seats.



The luggage net is designed to retain a maximum weight of 10 kg.

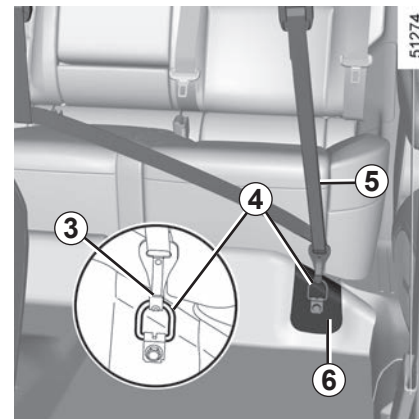
Risk of injury.



### Fitting the luggage net behind the front seats

Inside the vehicle on each side:

- lift the cover **1** to access the anchoring point;
- latch the hook **2** of luggage net to the anchoring point;

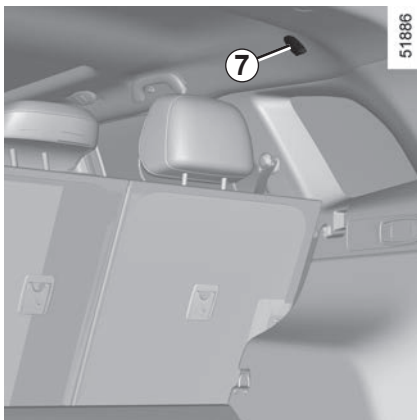


- open the U-shaped area **6** to access the anchoring point **4**;
- rotate the anchoring point **4** up to 90 degrees using the tool;
- latch the hook **3** to the anchoring point **4**;
- adjust the net strap **5** so that it is taut;
- fit the luggage net in the same way for the other side.



Do not install the luggage net in this position when a passenger is occupying a rear seat.

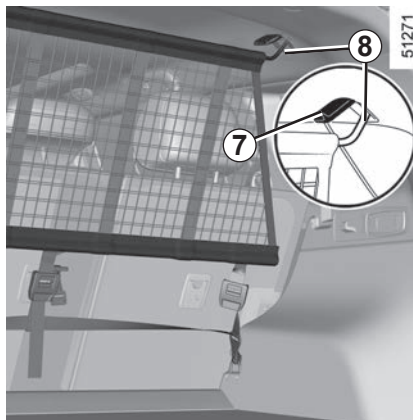
## LUGGAGE NET (2/2)



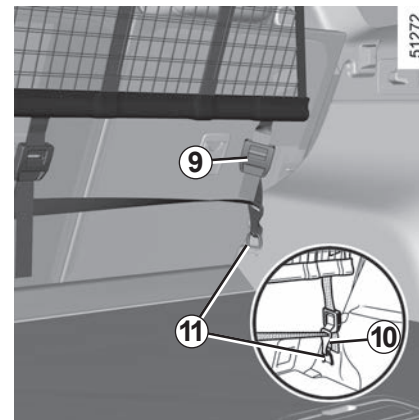
### Fitting the luggage net behind the rear seats

Inside the vehicle on each side:

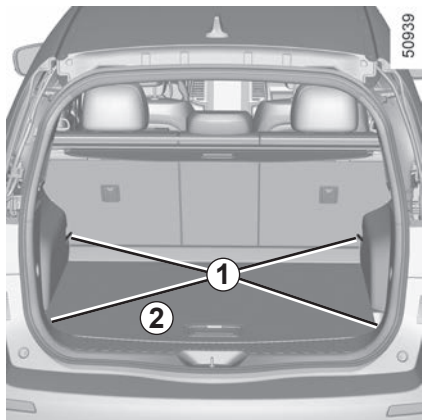
- lift the cover **7** to access the anchoring point;
- latch the hook **8** of luggage net to the anchoring point;



- latch the hook **10** to the anchoring point **11**;
- adjust the net strap **9** so that it is taut. The seatbacks must not touch the luggage net;
- fit the luggage net in the same way for the other side.



## BOOT FITTINGS



### Anchorage points

Attachment points **1**.



Maximum weight on trunk board **2** is 60kg.

If your vehicle is not equipped with anchorage points, you can get them from an authorised dealer.

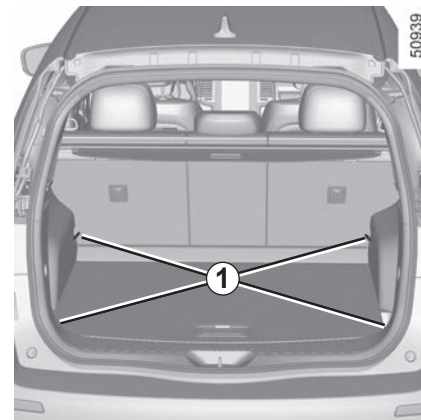
# TRANSPORTING OBJECTS IN THE LUGGAGE COMPARTMENT

Always position the objects transported so that the largest surface is against:

- The rear bench seatback for normal loads (example **A**).
- The front seatbacks with the rear seatbacks folded down, the mobile floor in the flat-floor position (example **B**).
- The front seatbacks with the rear seatbacks folded down, the mobile floor in the stored-away position, as is the case for maximum loads (example **C**).



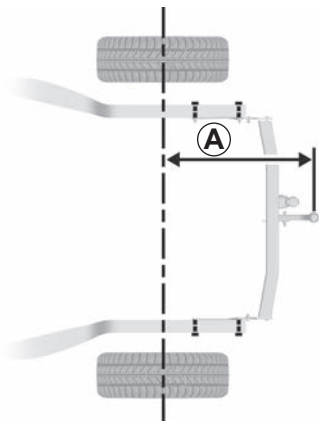
If you have to place objects on the folded seatback, it is necessary that you lower the headrests before folding the seatback so that it can be folded as flat as possible against the seat.



Always position the heaviest items directly on the floor. Use the lashing points **1** on the boot floor, if these are fitted to the vehicle. The luggage should be loaded in such a way that no items will be thrown forward and strike the occupants if the driver has to brake suddenly. Fasten the rear seat belts, even if the seats are not occupied.

## TRANSPORTING OBJECTS towbar

24981



**Permissible nose weight, maximum permissible towing weight, braked and unbraked:** refer to the information on “Weights” in Section 6.

### **Choice and fitting of towing equipment**

Maximum weight of towing equipment: 37 kg

For fitting and conditions of use, refer to the equipment’s fitting instructions.

Please keep these instructions with the rest of the vehicle documentation.

24982



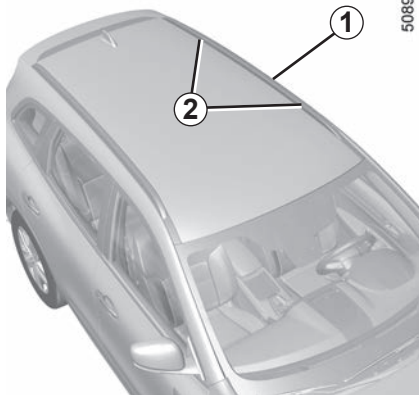
Maximum dimension **A**: 1115 mm.

If the towbar ball obscures the registration plate or the rear fog lights, it should be removed when not in use.

In all cases, comply with local legislation.



# ROOF BARS, SPOILER



## Accessing the mounting points

### Vehicles fitted with longitudinal roof bars

The attachment inserts **2** are located on the longitudinal roof bars **1**.



If original roof bars, approved by our Technical Department, are supplied with screws, only use these screws for attaching the roof bars to the vehicle.

## Precautions during use

### Handling the tailgate

Before handling the tailgate, check the objects and/or accessories (bike rack, roof box, etc.) fitted to the roof bars: these must be correctly positioned and secured, so as not to hinder the operation of the tailgate.

For information on the range of equipment adapted to your vehicle, we advise you to consult an approved Dealer.

Refer to the fitting instructions for information on how to fit roof bars and conditions of use.

Please keep these instructions with the rest of the vehicle documentation.

**Maximum permissible load on roof rack:** refer to the information on "Weights" in Section 6.

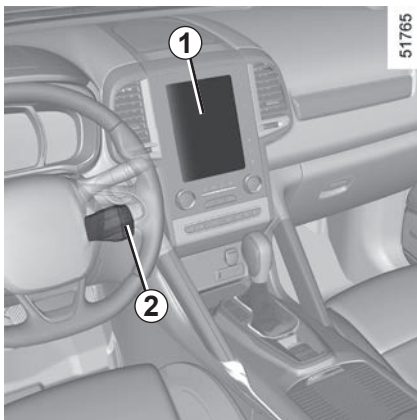


## Spoiler A



It is forbidden to fix objects and/or accessories (bike racks, etc.) to the spoiler.

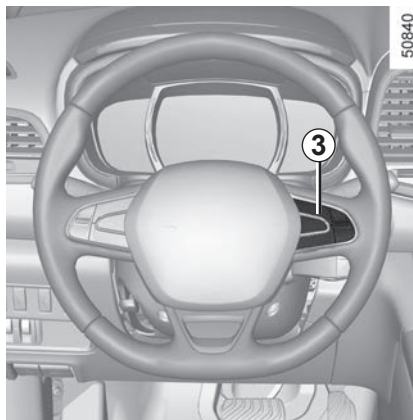
## MULTIMEDIA EQUIPMENT (1/2)



### Multimedia systems

- 1 Multimedia screen;
- 2 Steering column controls;
- 3 Steering wheel controls;
- 4 Microphone.

Refer to the equipment instructions for information on how to operate this equipment.



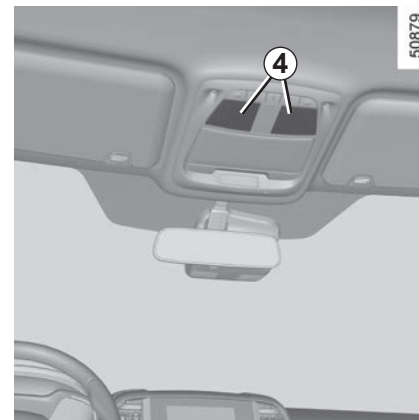
### Hands-free telephone integrated control

For equipped vehicles, use the steering wheel controls **3**.

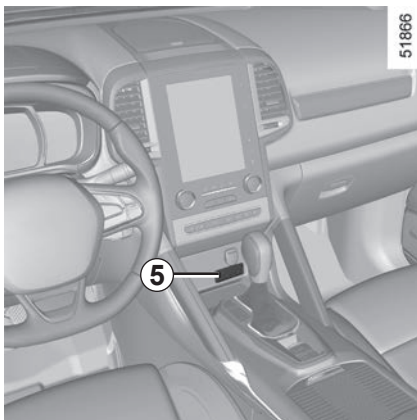


#### Using the telephone

We remind you of the need to conform to the legislation in force concerning the use of such equipment.



## MULTIMEDIA EQUIPMENT (2/2)



### Multimedia sockets 5

You can use sockets USB to access the multimedia content of your accessories and the system update (please refer to the equipment instructions).

The various sources can be selected from the multifunction screen and from the steering column controls.



The sockets USB can also recharge accessories with a maximum power rating of 10.5 Watts (voltage: 5V) per socket, which have been approved by our Technical Department.

The JACK socket enables the radio to be used with an auxiliary cable.

### Multimedia sockets 6

Sockets USB can only recharge accessories with a maximum power rating of 10.5 Watts (voltage: 5V) per socket, which have been approved by our Technical Department.

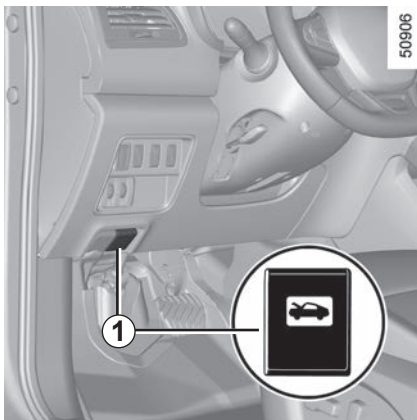
The JACK socket enables the radio to be used with an auxiliary cable.



# Section 4: Maintenance

Bonnet . . . . .	4.2
Engine oil level: general information . . . . .	4.4
Engine oil level: topping up, filling . . . . .	4.5
Engine oil change . . . . .	4.7
Levels . . . . .	4.8
engine coolant . . . . .	4.8
brake fluid. . . . .	4.9
windscreen washer reservoir . . . . .	4.10
Filters. . . . .	4.10
Tyre pressure. . . . .	4.11
Battery . . . . .	4.13
Bodywork maintenance . . . . .	4.15
Interior trim maintenance. . . . .	4.17

## BONNET (1/2)

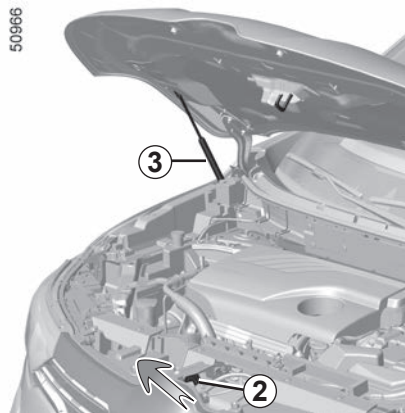


To open, pull handle **1**.



Before performing any action in the engine compartment, the ignition must be switched off (please see the information on “Starting, stopping the engine” in Section 2).

50966



### Unlocking the bonnet catch

To unlock, push tab **2** at the same time as opening the bonnet.

### Opening the bonnet

Lift the bonnet, guiding it up, and it will rest in position with the help of two struts **3**.



Do not press down on the bonnet: there is a risk that the bonnet may accidentally close.



When working in the engine compartment, ensure that the windscreen wiper stalk is in the park position.

**Risk of injury.**



The engine may be hot when carrying out operations in close proximity. In addition, the engine cooling fan can come on at any moment.

**Risk of injury.**

## BONNET (2/2)

### Closing the bonnet

Check that nothing has been left in the engine compartment.

To close the bonnet again, hold the bonnet in the middle and guide it down, allowing a 30 cm gap before it is closed, then release it. It will latch automatically under its own weight.



After carrying out any work in the engine compartment, check that nothing has been left behind (cloth, tools, etc.). These may damage the engine or cause a fire.



Ensure that the bonnet is properly locked. Check that nothing is preventing the catch from locking (gravel, cloth, etc.).



In the event of even a slight impact involving the radiator grille or bonnet, have the bonnet lock checked by an approved dealer as soon as possible.

## ENGINE OIL LEVEL: general information

It is normal for an engine to use oil for lubrication and cooling of moving parts and it is normal to top up the level between oil changes.

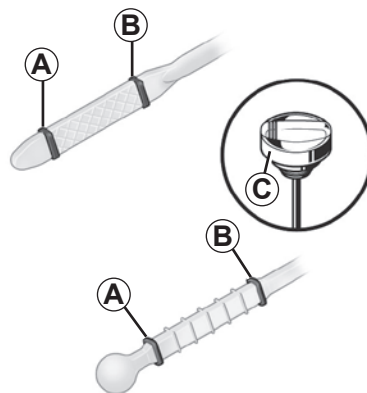
However, contact your approved Dealer if more than 0.5 litres is being consumed every 600 miles (1,000 km) after the running in period.

**Oil change frequency: check the oil level from time to time and certainly before any long journey to avoid the risk of damaging your engine.**

In order to prevent splashback, it is recommended that a funnel be used when topping up/filling with oil.



Before performing any action in the engine compartment, the ignition must be switched off by pressing the engine stop button (please see the information on “Starting, stopping the engine” in Section 2).



### Reading the oil level

The oil level should be read with the vehicle on level ground, after the engine has been switched off for some time.

**The dipstick must be used to read the exact oil level and make sure that the maximum level has not been exceeded (risk of engine damage).**

Refer to the following pages.

The instrument panel display only alerts the driver when the oil level is at its minimum.

- Remove the dipstick and wipe with a clean, lint-free cloth;
- push the dipstick in as far as it will go (for vehicles equipped with a cap-type dipstick **C**, screw the cap in as far as it will go);
- take out the dipstick again;
- read the level: it should never fall below minimum mark **A** or exceed maximum mark **B**.

Once the operation has been completed, ensure that the dipstick is pushed in as far as it will go or that the “cap-type dipstick” is completely screwed in.



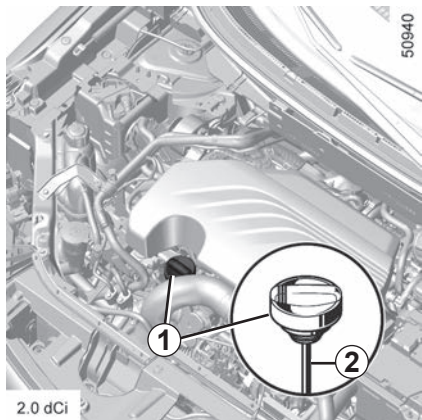
### Exceeding the maximum engine oil level

Under no circumstances must the maximum fill level **B** be exceeded: risk of damage to the engine and catalytic converter.

If the level exceeds the maximum level, **do not start your vehicle** and contact an authorised dealer.

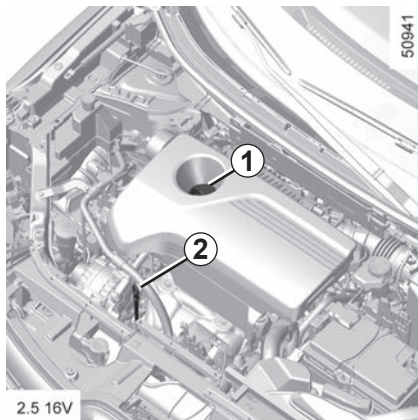


## ENGINE OIL LEVEL: topping up, filling (1/2)



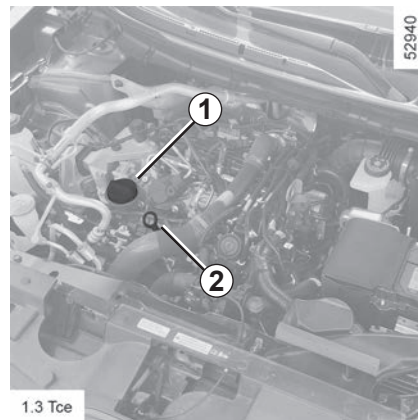
### Topping up/filling

The vehicle must be parked on level ground and the engine should be cold (for instance, before the engine is started up for the first time in the day).



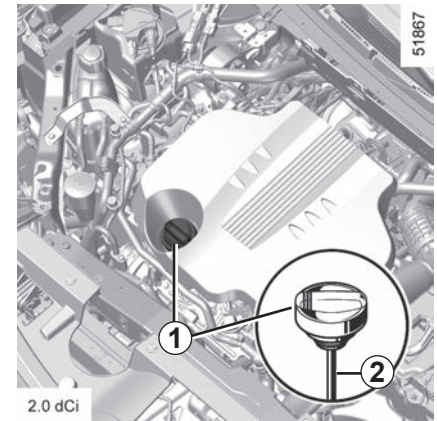
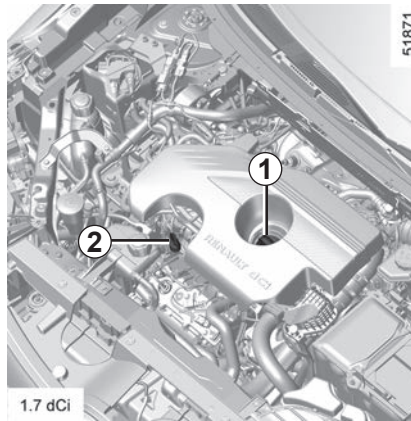
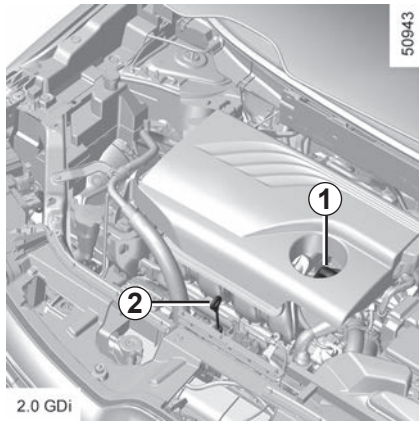
- Unscrew cap **1**;
- top up the level (as a guide, the capacity between the minimum and maximum reading on the dipstick **2** is between 1.5 and 2 litres, depending on the engine);
- wait for approximately 10 minutes to allow the oil to flow into the engine;
- check the level using the dipstick **2** (as described above).

Once the operation has been completed, ensure that the dipstick is pushed in as far as it will go and that the cap is completely screwed in.



Before performing any action in the engine compartment, the ignition must be switched off by pressing the engine stop button (please see the information on “Starting, stopping the engine” in Section 2).

## ENGINE OIL LEVEL: topping up, filling (2/2)



Do not exceed the **max** level and do not forget to refit cap **1** and dipstick **2**.

In order to prevent splashback, it is recommended that a funnel be used when topping up/filling with oil.

# ENGINE OIL LEVEL: OIL CHANGE

## Oil change

**Service interval:** refer to the Maintenance Document for your vehicle.

## Oil change capacity

Please refer to the maintenance document for your vehicle, or contact an authorised dealer.

Always check the engine oil level using the dipstick, as explained previously (it should never fall below the minimum level, or be over the maximum level on the dipstick).



### Exceeding the maximum engine oil level

Under no circumstances must the maximum fill level be exceeded: risk of damage to the engine and catalytic converter. If the oil level exceeds the maximum level, **do not start your vehicle** and contact an approved Dealer.

## Engine oil grade

Refer to the maintenance document for your vehicle.

Consult your approved dealer at once if you notice an abnormal or repeated drop in any of the fluid levels.



When working in the engine compartment, ensure that the windscreen wiper stalk is in the park position.

Risk of injury.



The engine may be hot when carrying out operations in close proximity. In addition, the engine cooling fan can come on at any moment.

Risk of injury.



**Filling:** take care when topping up the oil that no oil drips onto engine components - risk of fire.

Remember to refit the cap securely as there is a risk of fire if oil splashes onto hot engine components.

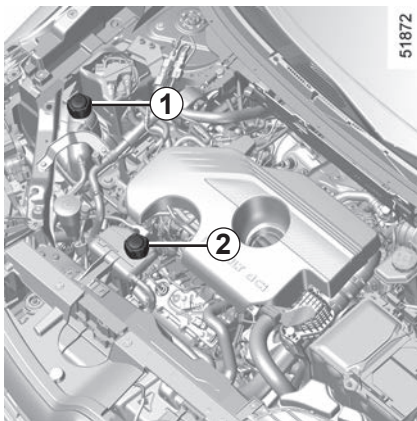


Never run the engine in an enclosed space as exhaust gases are poisonous.



**Engine oil change:** if you are changing the oil when the engine is hot, be careful not to scald yourself if the oil overflows.

## LEVELS (1/3)



### Coolant level

With the engine switched off and on level ground, the level **when cold** must be between the MINI and MAXI marks on reservoir **1** and, depending on the vehicle, on the reservoir **2**.

Top this level up **when cold** before it reaches the MINI mark.



When working in the engine compartment, ensure that the windscreen wiper stalk is in the park position.

Risk of injury.



Before performing any action in the engine compartment, the ignition must be switched off by pressing the engine stop button (please see the information on “Starting, stopping the engine” in Section 2).

### Frequency of checking coolant level

**Check the coolant level regularly** (very severe damage is likely to be caused to the engine if it runs out of coolant).

If the level needs to be topped up, only use products approved by our Technical Department which ensure:

- protection against freezing;
- an anti-corrosion protection for the cooling system.

### Replacement interval

Refer to the Maintenance Document for your vehicle.

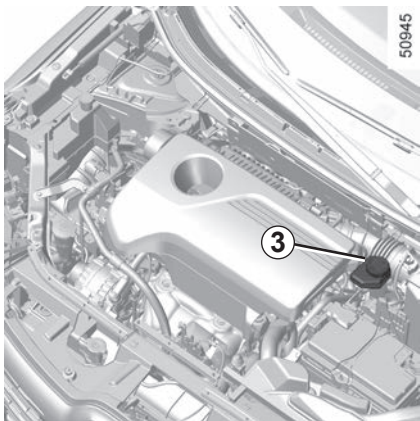
Consult your approved dealer at once if you notice an abnormal or repeated drop in any of the fluid levels.



No operations should be carried out on the cooling circuit when the engine is hot.

**Risk of burns.**

## LEVELS (2/3)



### Brake fluid level

The level should be read with the engine switched off and on level ground.

This should be checked frequently, and immediately if you notice even the slightest loss in braking efficiency.



The engine may be hot when carrying out operations in close proximity. In addition, the engine cooling fan can come on at any moment.

Risk of injury.

### Level 3

It is normal for the level to drop as the brake shoes become worn, but it must never drop lower than the “**MINI**” warning line.

If you wish to check the disc and drum wear yourself, you should obtain the document explaining the checking procedure from the manufacturer’s network or web site.

### Topping up

After any operation on the hydraulic circuit, a specialist must replace the brake fluid.

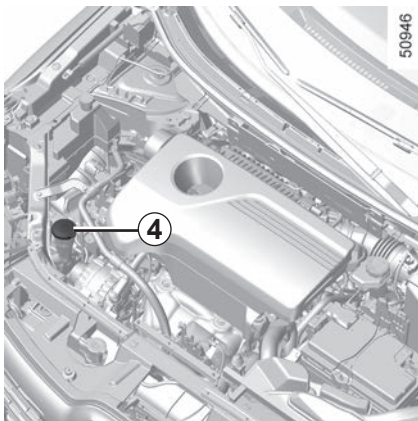
Only use fluids approved by our Technical Department (and taken from a sealed container).

### Replacement interval

Refer to the Maintenance Document for your vehicle.

Consult your approved dealer at once if you notice an abnormal or repeated drop in any of the fluid levels.

## LEVELS (3/3)/FILTERS



### Windscreen washer reservoir

#### Topping up

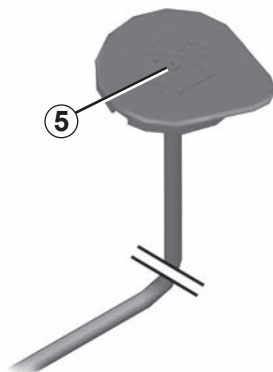
With the engine switched off, open the cap **4**. Fill until you can see the fluid, then replace the cap.



When working in the engine compartment, ensure that the windscreen wiper stalk is in the park position.

Risk of injury.

40144



#### Liquid

Screen wash product (product with antifreeze in winter).

#### Checking the level

Use the “dropper cap”. To do this, plug the hole **5** with your finger, remove the cap then read the gauge attached to the cap.

**Note:** Regularly check the reservoir level by topping up the liquid before taking a trip.

#### Jets

To adjust the windscreen washer jets, please consult an authorised dealer.

## Filters

The replacement of filter components (air filter, cabin filter, diesel filter, etc.) is scheduled in the maintenance operations for your vehicle.

**Replacement intervals for filter elements:** refer to the Maintenance Document for your vehicle.

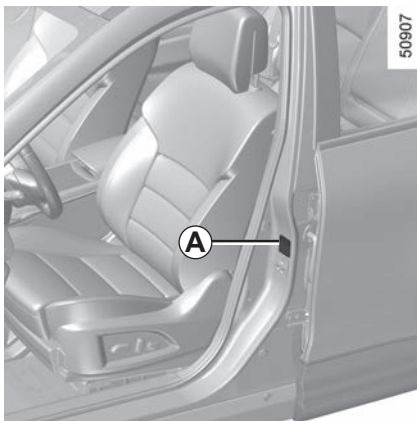


Before performing any action in the engine compartment, the ignition must be switched off by pressing the engine stop button (please see the information on “Starting, stopping the engine” in Section 2).



The engine may be hot when carrying out operations in close proximity. In addition, the engine cooling fan can come on at any moment.  
Risk of injury.

## TYRE PRESSURE (1/2)

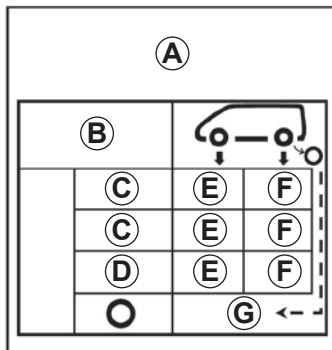


### Label A

Open the driver's door to read it.

Tyre pressures should be checked when the tyres are cold.

If the tyre pressures cannot be checked when the tyres are **cold**, increase the pressures from **0.2 to 0.3 bar (or 3 PSI)**.  
**Never deflate a hot tyre.**



**B:** dimension of the tyres fitted to the vehicle.

**C:** intended driving speed.

**D:** recommended pressure for optimising fuel consumption.

**NB:** driving comfort may be altered.


**E:** front tyre pressure.

**F:** rear tyre pressure.

**G:** tyre pressure for the emergency spare wheel.



**Vehicle fitted with a tyre pressure monitoring system**

In cases of under-inflation (puncture, low pressure, etc.), warning light  lights up on the instrument panel. Please refer to the information on the "Tyre pressure monitoring system" in Section 2.

**Risk of tyre blowouts.**

## TYRE PRESSURE (2/2)

**Special note concerning fully laden vehicles** (Maximum Permissible All-Up Weight) **and towing a trailer:** the maximum speed must be limited to **60 mph** (100 kph) and the tyre pressure increased by **0.2 bar**.

Please refer to the information on “Weights” in Section 6.

**Tyre safety and use of snow chains:** Refer to the information on “Tyres” in Section 5 for the servicing conditions and, depending on the version, the use of chains.



For your safety, please respect the speed limit.

When they need to be replaced, only tyres of the same make, size, type and profile should be used on a single axle.

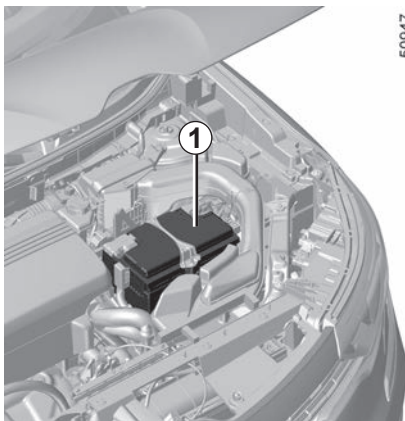
**They must: either have a load capacity and speed rating at least equal to those of the original tyres, or conform to those recommended by an authorised dealer.**

Failure to heed these instructions could endanger your safety and affect your vehicle’s roadworthiness.

**Risk of loss of control of the vehicle.**



## BATTERY (1/2)



50947

Battery **1** does not require any maintenance. **You should not open it or add any fluid.**



Handle the battery with care as it contains sulphuric acid which must not come into contact with the eyes or skin. If it does, wash the affected area with plenty of cold water. If necessary, consult a doctor.

Ensure that naked flames, red hot objects and sparks do not come into contact with the battery as there is a risk of explosion.

Depending on the vehicle, a system continuously checks the battery charge status. If this decreases, the message “Battery low start engine” is displayed on the instrument panel. In this case, start the engine. The message will go off.

The charge status of your battery can decrease especially if you use your vehicle:


- for short journeys;
- for driving in town;
- when the temperature drops;
- after extended use of energy-consuming devices (radio, etc.) with the engine switched off.



Before performing any action in the engine compartment, the ignition must be switched off by pressing the engine stop button (please see the information on “Starting, stopping the engine” in Section 2).



The engine may be hot during operations in close proximity. In addition, the engine cooling fan may start at any moment.

The  warning light in the engine compartment reminds you of this.

**Risk of injury.**

## BATTERY (2/2)



### Label A

Observe the indications on the battery:

- 2 Naked flames and smoking are forbidden;
- 3 eye protection required;
- 4 keep away from children;
- 5 explosive materials;
- 6 refer to the handbook;
- 7 corrosive materials.

### Replacing the battery

As this operation is complex, we advise you to contact an approved Dealer.



The battery is a **specific type**, please ensure it is replaced with the same type. Consult an approved dealer.

## BODYWORK MAINTENANCE (1/2)

A well-maintained vehicle will last longer. It is therefore recommended to maintain the exterior of the vehicle regularly.

Your vehicle has been treated with very effective anti-corrosion products. It is nevertheless subject to various outside influences.

### Corrosive agents in the atmosphere

- atmospheric pollution (built-up and industrial areas),
- saline atmospheres (near the sea, particularly in hot weather),
- seasonal and damp weather conditions (e.g. road salt in winter, water from road cleaners, etc.).

### Minor impacts

#### Abrasive action

Dust and sand in the air, mud, road grit thrown up by other vehicles, etc.

You should take a number of minor precautions in order to safeguard your vehicle against such risks.

### You should

Wash your car frequently, **with the engine off**, with cleaning products recommended by the manufacturer (never use abrasive products). Rinse thoroughly beforehand with a jet:

- spots of tree resin and industrial grime;
- mud in the wheel arches and underneath the body which forms damp patches;
- **bird droppings**, which cause a chemical reaction with the paint that **rapidly discolours paintwork and may even cause the paint to peel off**;  
wash the vehicle **immediately** to remove these marks since it is impossible to remove them by polishing;
- salt, particularly in the wheel arches and underneath the body after driving in areas where the roads have been gritted.

Remove any plant matter (resin, leaves, etc.) from the vehicle regularly.

Respect local regulations about washing vehicles (e.g. do not wash your vehicle on a public highway).

Observe the vehicle stopping distances when driving on gravelled surfaces to prevent paint damage.

Repair, or have repaired quickly, areas where the paint has been damaged, to prevent corrosion spreading.

Remember to visit the body shop periodically in order to maintain your anti-corrosion warranty. Refer to the Maintenance Document.

If it is necessary to clean mechanical components, hinges, etc., spray them with products approved by our Technical Department to protect them after they have been cleaned.

We have selected special products to care for your vehicle and you can obtain these from the manufacturer's accessory outlets.

## BODYWORK MAINTENANCE (2/2)

### What you should not do

Wash the vehicle in bright sunlight or freezing temperatures.

Do not scrape off mud or dirt without pre-wetting.

Allow dirt to accumulate on the exterior.

Allow rust to form following minor impacts.

Do not use solvents not approved by our Technical Department to remove stains as this could damage the paintwork.

Do not drive in snow or muddy conditions without washing the vehicle, particularly under the wheel arches and body.



Degrease or clean using high-pressure cleaning equipment or by spraying on products not approved by our Technical Department:

- mechanical components (e.g.: engine compartment);
- underbody;
- parts with hinges (e.g.: inside the doors);
- painted plastic external fittings (e.g.: bumpers).

Doing this could give rise to corrosion or operational faults.

### Vehicles with a matte paint finish

This type of paint requires certain precautions.

#### You should do the following

Wash the vehicle by hand using plenty of water, using a soft cloth or a gentle sponge.

#### Do not do the following

- use wax-based products (polishing).
- rub too hard.
- wash the vehicle in a roller-type car wash.
- attach stickers to the paintwork (risk of leaving marks).



Wash the vehicle using a high-pressure cleaning device.

### Using a roller type car wash

Return the windscreen wiper stalk to the Park position (refer to the information on the “Windscreen washer, wiper” in Section 1). Check the mounting of external accessories, additional lights and mirrors, and ensure that the wiper blades are secured with adhesive tape. Remove the radio aerial mast if your vehicle is fitted with this equipment. Remember to remove the tape and refit the antenna after washing.

### Cleaning the headlights

As the headlights are made of plastic “glass”, use a soft cloth or cotton wool to clean them. If this does not clean them properly, moisten the cloth with soapy water, then wipe clean with a soft damp cloth or cotton wool. Finally, carefully dry off with a soft dry cloth.

**Do not use cleaning products containing alcohol or utensils (e.g.: a scraper).**

## INTERIOR TRIM MAINTENANCE (1/2)

A well-maintained vehicle will last longer. It is therefore recommended to maintain the interior of the vehicle regularly.

A stain should always be dealt with swiftly.

Whatever type of stain is on the trim, use **cold** (or warm) **soapy water with natural soap**.

**Detergents (washing-up liquid, powdered products, alcohol-based products) should not be used.**

Use a soft cloth.

Rinse and soak up the excess.

### Glass instrument panel

(e.g.: instrument panel, clock, exterior temperature display, radio display, multimedia or multifunction display etc.)

Use a soft cloth (or cotton wool).

If this does not clean them properly, use a soft cloth (or cotton wool) slightly moistened with soapy water and then wipe clean with another soft damp cloth or cotton wool.

Finally, **carefully** dry off with a soft dry cloth.

**Do not use products containing alcohol and/or spray fluids on the area.**

### Seat belts

These must be kept clean.

Use products selected by our Technical Department (Approved outlets) or warm, soapy water and a sponge and wipe with a dry cloth.

**Detergents or dyes must not be used under any circumstances.**

### Textiles (seats, door trim, etc)

Vacuum-clean the textiles **regularly**.

#### Liquid stain

Use soapy water.

Dab lightly (never rub) with a soft cloth, rinse and remove the excess.

#### Solid or pasty stain

Carefully remove the excess solid or pasty material **immediately** with a spatula (working from the edges to the centre to avoid spreading the stain). Clean as for a liquid stain.

#### Special instructions for sweets or chewing gum

Put an ice cube on the stain to solidify it, then proceed as for a solid stain.

For further recommendations for maintaining the interior, and/or for any unsatisfactory results, please see an authorised dealer.

## INTERIOR TRIM MAINTENANCE (2/2)

### Removal/replacing removable equipment originally fitted in the vehicle

If you need to remove equipment in order to clean the passenger compartment (for example, mats), always ensure that they are correctly refitted and are the right way around (the driver's mat should be fitted on the driver's side, etc.) and fit them with the components supplied with the equipment (for example, the driver mat should always be fixed using the pre-fitted mounting components).

With the vehicle stationary, always ensure that nothing will impede driving (anything obstructing the pedals, heel wedged by the mat etc.).

### You should not:

Position objects such as deodorants, scents etc. near air vents as this could damage your dashboard trim.



Use high-pressure cleaning equipment or sprays inside the passenger compartment:

without careful use, this equipment could impair the correct functioning of the electrical or electronic components in the vehicle, or have other detrimental effects.

# Section 5: Practical advice

Puncture, emergency spare wheel . . . . .	5.2
Tyre inflation kit . . . . .	5.4
Tools . . . . .	5.7
Changing a wheel . . . . .	5.8
Tyres (tyre and wheel safety, use in winter) . . . . .	5.10
Headlights (changing bulbs) . . . . .	5.13
Rear lights and side lights (changing bulbs) . . . . .	5.16
Interior lighting (changing bulbs) . . . . .	5.19
RENAULT card: battery . . . . .	5.21
Radio frequency remote control unit: batteries . . . . .	5.22
Fuses . . . . .	5.23
Battery . . . . .	5.26
Accessories . . . . .	5.28
Wipers (replacing blades) . . . . .	5.29
Towing . . . . .	5.31
Operating faults . . . . .	5.35

## PUNCTURE, EMERGENCY SPARE WHEEL (1/2)

### In case of puncture

Depending on the vehicle, a tyre inflation kit or emergency spare wheel is provided (refer to the following pages).

#### Special note

The Tyre Pressure Monitor function does not check the emergency spare wheel (the wheel replaced by the emergency spare wheel disappears from the instrument panel display).

Refer to the information on the “Tyre pressure monitoring system” in Section 2.



If the emergency spare wheel has been stored for several years, have it checked by your Dealer to ensure that it is safe to use.

#### **Vehicles fitted with an emergency spare wheel smaller than the four other wheels:**

- Never fit more than one emergency spare wheel to the same vehicle.
- As the punctured wheel is wider than the emergency spare wheel, the vehicle's ground clearance is reduced.
- Replace the emergency spare wheel as soon as possible with a wheel with the same dimensions as the original.
- When this is fitted to the vehicle, which must only be a temporary measure, the driving speed must not exceed the speed indicated on the label on the wheel.
- Fitting an emergency spare wheel may alter the way the vehicle usually runs. Avoid sudden acceleration or deceleration and reduce your speed when cornering.
- If you need to use snow chains, fit the emergency spare wheel to the rear axle and check the tyre pressure.



## PUNCTURE, EMERGENCY SPARE WHEEL (2/2)



### Emergency spare wheel A

To get to it:

- open the tailgate;
  - remove the mobile floor **1**;
  - remove the tool kit box by lifting it by its handles;
  - unscrew the central mounting;
  - if the vehicle is fitted with amplifier, place it to the side;
- Note:** be careful not to impact the amplifier or cut its circuit;
- remove the emergency spare wheel.



Do not touch the exhaust system.

**Risk of burns.**



If the vehicle is parked on the hard shoulder, you must warn other road users of your vehicle's presence with a warning triangle or with other devices as per the legislation applying to the country you are in.

## TYRE PRESSURE KIT (1/3)

32788



The kit repairs tyres when tread **A** has been damaged by objects smaller than 4 mm. It cannot repair all types of puncture, such as cuts larger than 4 mm, or cuts in tyre sidewall **B**.

Ensure also that the wheel rim is in good condition.

Do not pull out the foreign body causing the puncture if it is still in the tyre.



Do not attempt to use the inflation kit if the tyre has been damaged as a result of driving with a puncture.

You should therefore carefully check the condition of the tyre sidewalls before any operation.

Driving with underinflated, flat or punctured tyres can be dangerous and may make the tyre impossible to repair.

### **This repair is temporary.**

A tyre which has been punctured should always be inspected (and repaired, where possible) as soon as possible by a specialist.

When taking a tyre which has been repaired using this kit to be replaced, you must inform the specialist.

When driving, vibration may be felt due to the presence of the repair product injected into the tyre.



The kit is only approved for inflating the tyres of the vehicle originally equipped with the kit.

It must never be used to inflate the tyres of another vehicle, or any other inflatable object (rubber ring, rubber boat, etc.).

Avoid spillage on skin when handling the repair product bottle. If droplets do leak out, rinse them off with plenty of water.

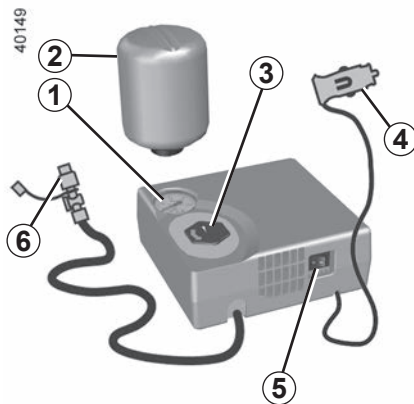
Keep the repair kit away from children.

Do not dispose of the empty bottle in the countryside. Return it to your approved dealer or to a recycling organisation.

The bottle has a limited service life which is indicated on its label. Check the expiry date.

Contact an approved dealer to replace the inflation tube and repair product bottle.

## TYRE PRESSURE KIT (2/3)



In the event of a puncture, use the kit located in the boot, underneath the trunk carpet.



Before using this kit, park the vehicle at a sufficient distance from traffic, switch on the hazard warning lights, apply the parking brake, ask all passengers to leave the vehicle and keep them away from traffic.

### With the engine running and the parking brake applied,

- Unscrew the cap from recess **3** on the bottle;
- unscrew the bottle cap **2**;
- screw the bottle **2** onto the compressor at the bottle recess point **3**;
- unscrew the valve cap on the relevant wheel and screw the inflation adapter **6** onto the valve;
- disconnect any accessories previously connected to the vehicle's accessories sockets;
- the plug **4** must be connected to the vehicle accessories socket;
- press switch **5** to inflate the tyre to the recommended pressure (please refer to the information in the section on "Tyre pressure");

- after a maximum of **10** minutes, stop inflating and read the pressure (on pressure gauge **1**).

**Note:** while the container is emptying (approximately 30 seconds), the pressure gauge **5** will briefly indicate a pressure of up to **6** bar. The pressure will then drop.

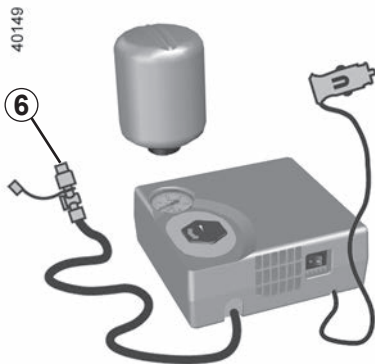
- adjust the pressure: to increase it, continue inflating with the kit.

**If the recommended pressure of 1.8 bar cannot be achieved after 10 minutes, repair is impossible. Do not drive the vehicle. Consult an authorised dealer.**



If the vehicle is parked on the hard shoulder, you must warn other road users of your vehicle's presence with a warning triangle or with other devices as per the legislation applying to the country you are in.

## TYRE PRESSURE KIT (3/3)



Once the tyre is correctly inflated, remove the kit: slowly unscrew the inflation adapter **6** to prevent any repair product from escaping and store the container in plastic packaging to prevent the product from escaping.



Nothing should be placed around the driver's feet as such objects may slide under the pedals during sudden braking manoeuvres and obstruct their use.

- Affix the driving recommendation label to the dashboard where it can easily be seen by the driver;
- Put the kit away.
- At the end of this initial inflation operation, air will still escape from the tyre. You must drive a short distance in order to seal the hole.
- Start immediately and drive at between 12 and 40 mph (20 and 60 km/h) in order to distribute the product evenly in the tyre and, after driving for 2 miles (3 km), stop and check the pressure.
- If the pressure is greater than 1.3 bar but less than the recommended pressure (refer to the label affixed to the edge of the driver's door), readjust it. Otherwise, please contact an authorised dealer: the tyre cannot be repaired.

### Precautions when using the kit

The kit should not be operated for more than 10 consecutive minutes.



Please be aware that a poorly tightened or missing valve cap can make the tyres less airtight and may lead to pressure loss.

Always use valve caps identical to those fitted originally and tighten them fully.



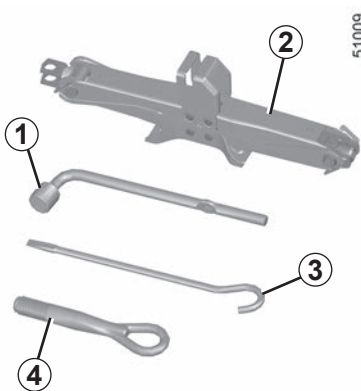
Following repair with the kit, do not travel further than 120 miles (200 km). In addition, reduce your speed and under no circumstances exceed 48 mph (80 km/h). The sticker, which you must affix in a prominent position on the dashboard, reminds you of this.

Depending on the country or local legislation, a tyre repaired with the inflation kit may need to be replaced.

# TOOLS



The presence of the tools depends on the vehicle.  
The tools are located in a tray under the trunk carpet.  
Lift the trunk carpet and remove it.



## Wheelbrace 1

Locks or unlocks the wheel bolts and tow eye 4.

## Jack 2

Fold it correctly before refitting it in its housing.

## Jack handle 3

This tightens or releases the tow eye 4

## Tow eye 4

Please see "Towing: breakdown recovery" in Section 5.

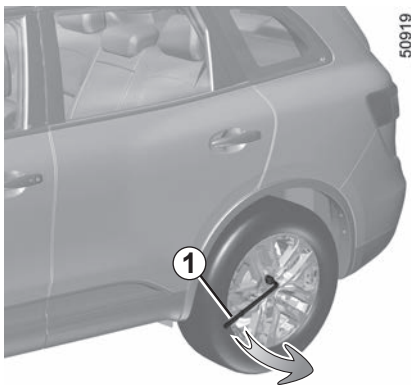


Do not leave the tools unsecured inside the vehicle as they may come loose under braking. After use, check that all the tools are correctly clipped into the tool kit, then position it correctly in its housing: there is a risk of injury.

If wheel bolts are supplied in the tool kit, only use these bolts for the emergency spare wheel: refer to the label affixed to the emergency spare wheel.

The jack is designed for wheel changing purposes only. Under no circumstances should it be used for carrying out repairs underneath the vehicle or to gain access to the underside of the vehicle.

## CHANGING A WHEEL (1/2)

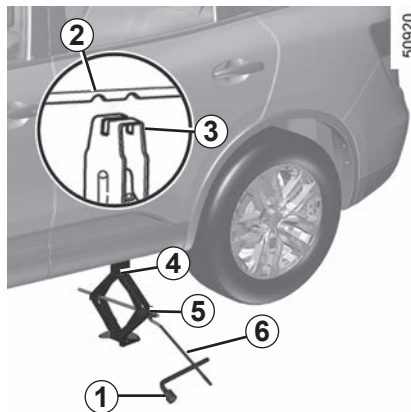


Switch on the hazard warning lights.

Keep the vehicle away from traffic and on a level surface where it will not slip.

Apply the parking brake and engage a gear (first or reverse, or **P** for automatic transmissions).

Ask all the passengers to leave the vehicle and keep them away from traffic.



### Vehicles equipped with a jack, wheelbrace and jack handle

If necessary, remove the wheel trim.

Use the wheelbrace **1** to slacken off the wheel bolts. Fit it so that you press downwards rather than pulling upwards.

Start cranking up jack **4** by hand to align the base plate (which should sit flat against the ground) and until the jack head **3** is in the centre of mark **2**.

Attach the wheelbrace **1** and the jack handle **6** (in groove **5**).

Turn the wheelbrace until the wheel lifts off the ground.

If the vehicle is not equipped with a jack or wheelbrace, you can obtain these from your approved dealer.



If the vehicle is parked on the hard shoulder, you must warn other road users of your vehicle's presence with a warning triangle or with other devices as per the legislation applying to the country you are in.

## CHANGING A WHEEL (2/2)

Turn it a few times to lift the wheel off the ground.

Undo the bolts and take off the wheel.

Fit the emergency spare wheel on the central hub and turn it to locate the mounting holes in the wheel and the hub.

Tighten the bolts, checking that the wheel is correctly positioned on its hub.

Lower the jack.

With the wheel on the ground, tighten the bolts fully and have the tightness of the bolts checked and the emergency spare wheel pressure checked as soon as possible.



If you have a puncture, replace the wheel as soon as possible.

A tyre which has been punctured should always be inspected (and repaired, where possible) by a specialist.



Do not leave the tools unsecured inside the vehicle as they may come loose under braking. After use, check that all the tools are correctly clipped into the tool kit, then position it correctly in its housing: risk of injury.

If wheel bolts are supplied in the tool kit, only use these bolts for the emergency spare wheel: refer to the label affixed to the emergency spare wheel.

The jack is designed for wheel changing purposes only. Under no circumstances should it be used for carrying out repairs underneath the vehicle or to gain access to the underside of the vehicle.

## TYRES (1/3)

The tyres are the only contact between the vehicle and the road, so it is essential to keep them in good condition. You must make sure that your tyres conform to local road traffic regulations.



### Maintaining the tyres

The tyres must be in good condition and the tread form must have sufficient depth; tyres approved by our Technical Department have tread wear indicators **1** which are **indicators moulded into the tread at several points.**

When the tread has worn down to the wear warning strips, **these strips will become visible 2**: it is then necessary to replace your tyres because the tread rubber is now **only 1.6 mm deep at most, resulting in poor road holding on wet roads.**

An overloaded vehicle, long journeys by motorway, particularly in very hot weather, or continual driving on poorly surfaced minor roads will lead to more rapid tyre wear and affect safety.



Incidents which occur when driving, such as striking the kerb, may damage the tyres and wheel rims, and could also lead to misalignment of the front or rear axle geometry. In this case, have the condition of these checked by an approved dealer.



## TYRES (2/3)

### Tyre pressures

Adhere to the tyre pressures (including the emergency spare wheel). The tyre pressures should be checked at least once a month and additionally before any long journey (refer to the label affixed to the edge of the driver's door).



#### **Incorrect tyre pressures**

lead to abnormal tyre wear and unusually hot running.

These are factors which may seriously affect safety and lead to:

- poor road holding,
- risk of bursting or tread separation.

The pressure depends on the load and the speed of use. Adjust the pressure according to the conditions of use (refer to the label affixed to the edge of the driver's door).

The pressures should be checked cold: ignore higher pressures which may be reached in hot weather or following a high speed journey.

If the tyre pressures cannot be checked when the tyres are **cold**, increase the pressures from **0.2** to **0.3** bar (or **3 PSI**).

**Never deflate a hot tyre.**

#### **Special note**


Depending on the vehicle, there may be an adapter which needs to be positioned on the valve before air is added.



Please be aware that a poorly tightened or missing valve cap can make the tyres less airtight and lead to pressure loss.

Always use valve caps identical to those fitted originally and tighten them fully.

### **Vehicle fitted with a tyre pressure monitoring system**

In cases of under-inflation (puncture, low pressure, etc.), warning light  lights up on the instrument panel. Please refer to the information on the "Tyre pressure monitoring system" in Section 2.

### **Emergency spare wheel**

Refer to the information on "Puncture" and "Changing a wheel" in Section 5.

# TYRES (3/3)

## Fitting new tyres



For your safety, please respect the speed limit.

When they need to be replaced, only tyres of the same make, size, type and profile should be used on a single axle.

**They must: either have a load capacity and a speed capacity at least equal to the original tyres, or correspond to those recommended by your authorised dealer.**

Failure to heed these instructions could endanger your safety and affect your vehicle's roadworthiness.

**Risk of loss of control of the vehicle.**



### Changing a wheel

As the tyre pressure monitor may take several minutes to correctly determine the positions of the wheels and the pressure values after driving, check the tyre pressures following any operation.

## Use in winter

### Chains

**For safety reasons, fitting snow chains to the rear axle is strictly forbidden.**

**Chains cannot be fitted** to tyres which are larger than those originally fitted to the vehicle.

### Snow or Winter tyres

We would recommend that these be fitted to all **four wheels** to ensure that your vehicle retains maximum adhesion.

**Warning:** These tyres sometimes have a specific direction of rotation and a maximum speed index which may be lower than the maximum speed of your vehicle.



Snow chains may only be fitted to tyres of the same size as those originally fitted to **your vehicle**.

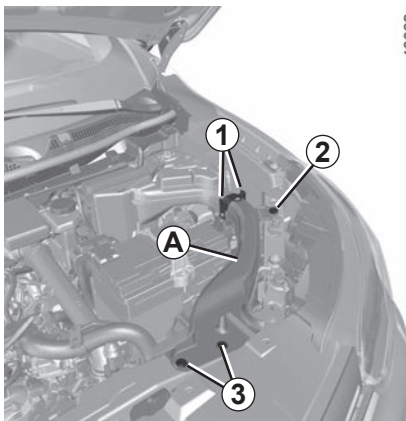
## Studded tyres

This type of equipment may only be used for a limited period and as laid down by local legislation. It is necessary to observe the speed specified by current legislation.

These tyres must, at a minimum, be fitted to the two front wheels.

In all cases, we would recommend that you contact an authorised dealer who will be able to advise you on the choice of equipment which is most suitable for your vehicle.

## FRONT HEADLIGHTS: changing bulbs (1/3)

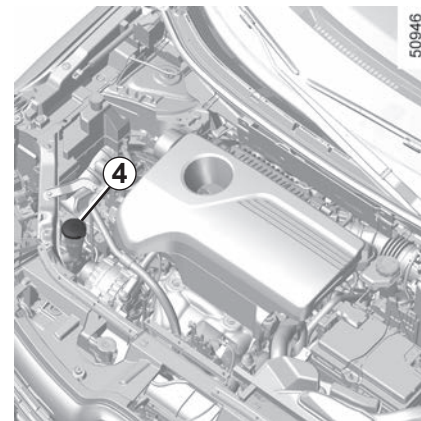


### Accessing the bulbs

On the left-hand side of the vehicle, you will need to remove the air duct **A** to access the bulbs. To do this:

- remove the clips **3**;
- unscrew the bolt **2**;
- press the upper part of the fastening clips **1** to release the air duct **A**;
- slide the air duct **A** towards the front of the vehicle to release it.

After replacing the bulbs, you must put the air duct **A** back into position. To do this, perform the above operation in reverse.



On the right-hand side of the vehicle, you will need to remove the filler neck **4** for the windscreen washer tank to access the bulbs. To do this:

- remove the clip for the funnel **4**;
- pull the funnel **4**.



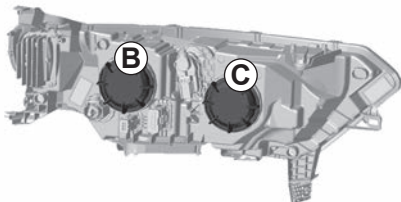
Before performing any action in the engine compartment, the ignition must be switched off (please see the information on “Starting, stopping the engine” in Section 2).



The engine may be hot when carrying out operations in close proximity. In addition, the engine cooling fan can come on at any moment.

Risk of injury.

## FRONT HEADLIGHTS: changing bulbs (2/3)



### Halogen dipped beam headlight

To change the bulb:

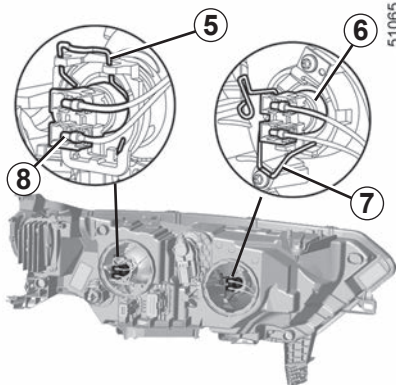
- remove cover **B**;
- remove the clip **5** pressing down on it;
- remove the connector **8**;
- replace the bulb.

**Bulb type: H7.**



The bulbs are under pressure and can break when replaced.

**Risk of injury.**



### Halogen main beam headlight

To change the bulb:

- remove cover **C**;
- remove the clip **7** pressing down on it;
- remove the connector **6**
- replace the bulb.

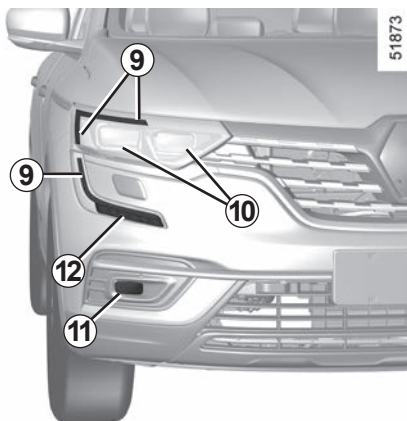
**Bulb type: H7.**

It is **essential** to use anti-U.V. 55W bulbs so as not to damage the plastic on the headlights.

**Do not touch the bulb glass. Hold it by its base.**

When the bulb has been changed, make sure you refit the cover correctly.

## FRONT HEADLIGHTS: changing bulbs (3/3)



### LED dipped beam/main beam headlights 10

Please see an authorised dealer.

### Daytime running lights and side lights 9

Please see an authorised dealer.

### LED front fog lights 11

Depending on the vehicle, please see an authorised dealer.

### LED Direction indicator light 12

Please see an authorised dealer.

To comply with local legislation, or as a precaution, you can obtain an emergency kit containing a set of spare bulbs and fuses from an approved dealer.



The bulbs are under pressure and can break when replaced.

Risk of injury.

### Additional lights

If you wish to fit fog lights to your vehicle, please see an authorised dealer.



Any operation on (or modification to) the electrical system must be performed by an approved dealer since an incorrect connection might damage the electrical equipment (harness, components and in particular the alternator). In addition, your Dealer has all the parts required for fitting these units.

## REAR AND SIDE LIGHTS: changing bulbs (1/3)



51783

### Side lights and brake lights 1

Consult an approved Dealer.



51782

### Direction indicators 2

Consult an approved Dealer.

## REAR AND SIDE LIGHTS: changing bulbs (2/3)

50975

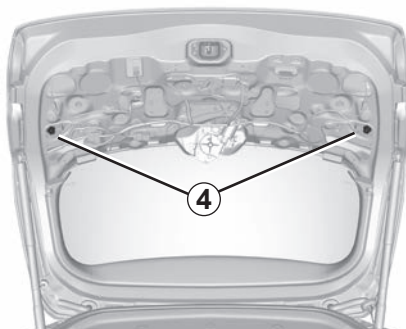


### Reversing lights

Open the tailgate.

Unclip the trim **3** and remove it.

50976



Turn bulb holder **4** fully anticlockwise and change the bulb.

### Refitting

To refit, proceed in the reverse order, taking care not to damage the wiring.

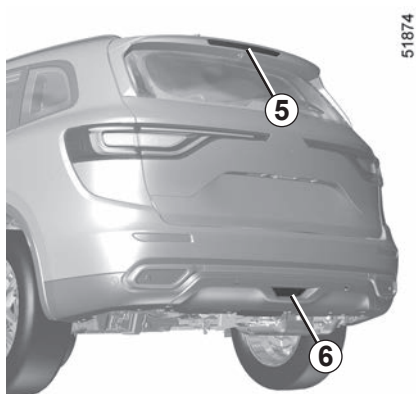
**Bulb type: W16W.**



The bulbs are under pressure and can break when replaced.

Risk of injury.

## REAR AND SIDE LIGHTS: changing bulbs (3/3)

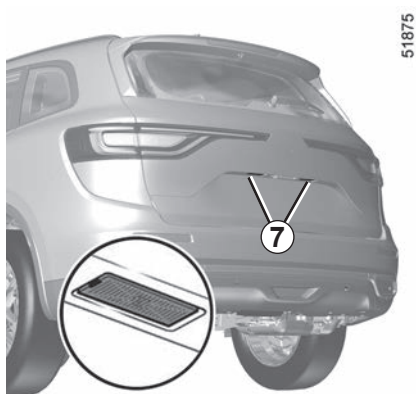


### High level brake light 5

Consult an approved dealer.

### Rear fog lights 6

Consult an approved dealer.



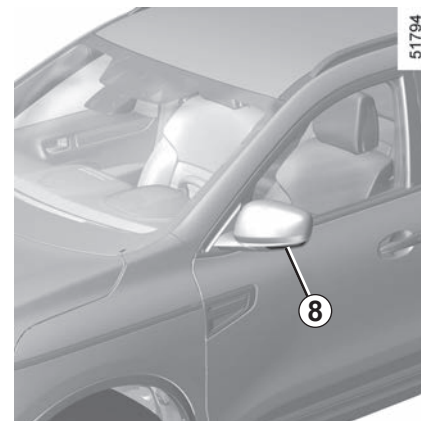
### Halogen number plate lights 7

- Unclip the light 7 (using a tool such as a flat-blade screwdriver).
- remove the light cover to gain access to the bulb.

**Bulb type: W5W.**

### LED number plate light 7

Consult an approved dealer.



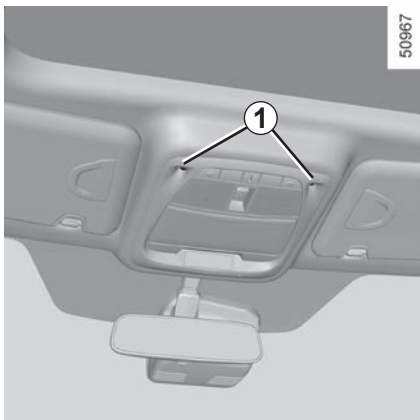
### Side indicator lights 8

Consult an authorised dealer.



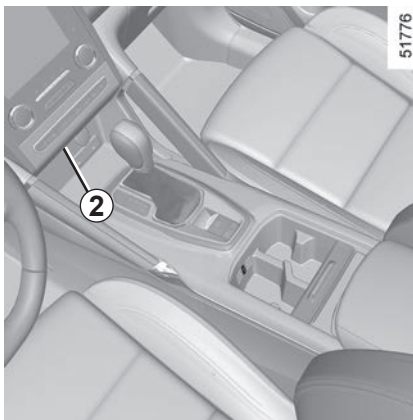


## INTERIOR LIGHTING: changing bulbs (1/2)



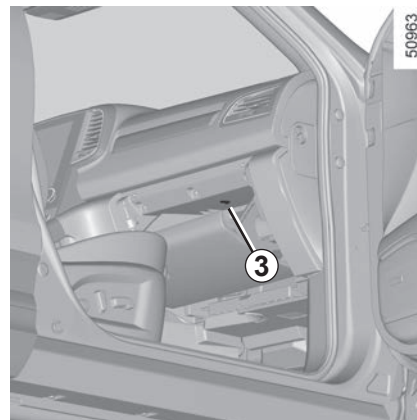
### Map reading lights 1

Please consult an authorised dealer.



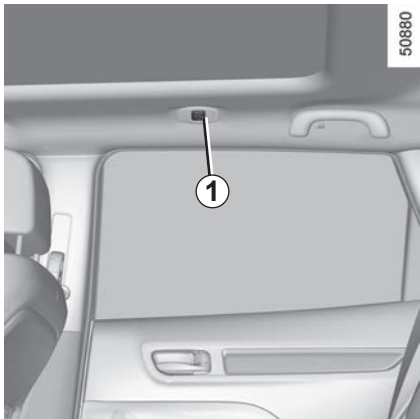
### Ambient lights 2


Please consult an authorised dealer.



### Glove box lights 3

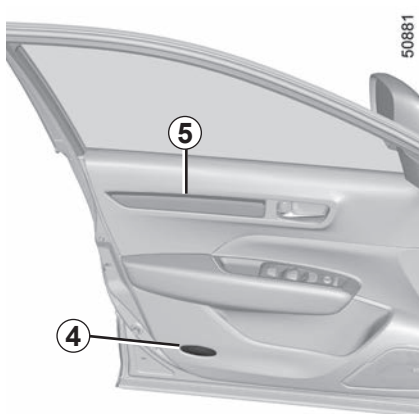
Please consult an authorised dealer.





The bulbs are under pressure and can break when replaced.  
Risk of injury.

## INTERIOR LIGHTING: changing bulbs (2/2)



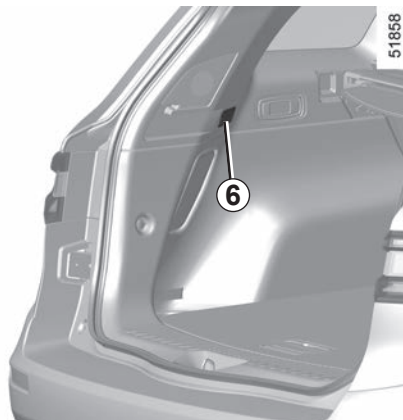
### Front door lights 4, door ambient light 5

Please consult an authorised dealer.



The bulbs are under pressure and can break when replaced.

Risk of injury.



### Boot lights 6

Unclip light 6 by pressing the tabs on each side (using a flat-blade screwdriver or similar).

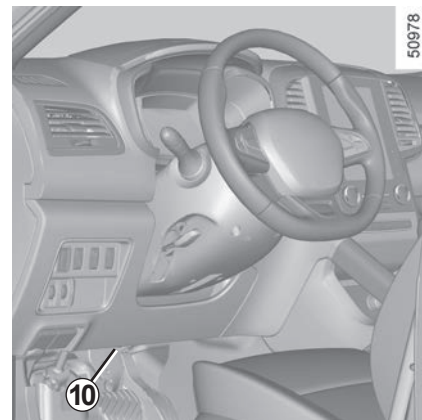
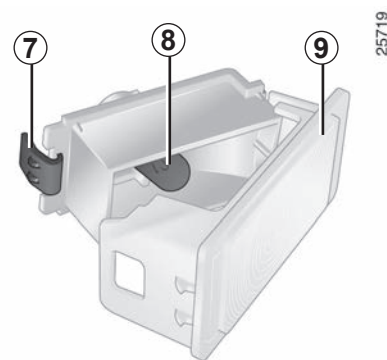
Disconnect the light.

Press tab 7 to release the lens 9 and access bulb 8.

**Bulb type: W5W.**

### Front foot lights 10

Please consult an authorised dealer.



## RENAULT CARD: battery

40303

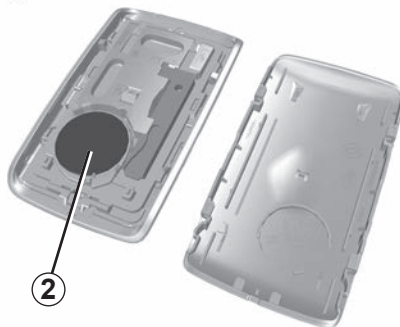


### Replacing the battery

When the message “Keycard battery low” appears on the instrument panel, replace the battery in the RENAULT card:

- slide the rear casing **1** downwards while pressing on zone **A**;
- remove the battery cover **2**;
- remove the battery by pressing on one side and lifting the other;
- replace it according to the direction and template shown inside the cover.

39103

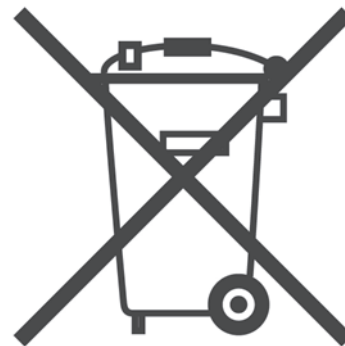


When refitting, proceed in the reverse order, then press one of the buttons on the card four times, close to the vehicle: the message will disappear.

**Note:** it is not advisable to touch the electronic circuit or contacts on the RENAULT card when replacing the battery.

The batteries are available from approved Dealers, and their service life approximately two years. Check that there is no dye on the battery: risk of an incorrect electrical contact.

26913



### Operating faults

If the battery is too weak to ensure correct operation, you can still start and lock/unlock the vehicle (please refer to the information on “Locking/unlocking the opening elements” in Section 1).

Do not throw away your used batteries; give them to an organisation responsible for collecting and recycling batteries.

## RADIO FREQUENCY REMOTE CONTROL: batteries

40080



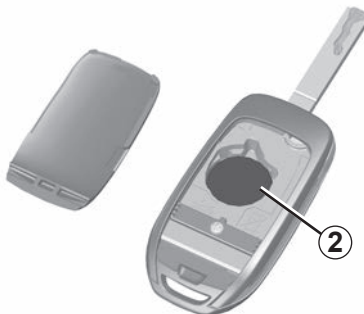
### Replacing the battery

Open the case at slot **1** using a flat-blade screwdriver or similar, and replace the battery **2**, observing the polarity shown on the back of the cover.

The batteries are available from approved Dealers, and their service life approximately two years.

Check that there is no dye on the battery: risk of an incorrect electrical contact.

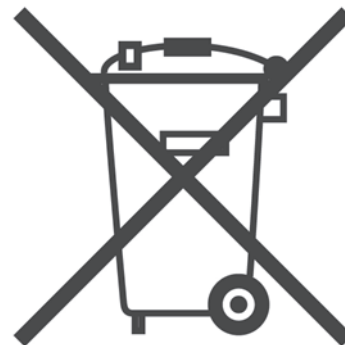
40081



**Note:** It is not advisable to touch the electronic circuit in the key cover when replacing the battery.

When refitting, ensure that the cover is correctly clipped on and the screw tightened.

26913



Do not throw away your used batteries; give them to an organisation responsible for collecting and recycling batteries.

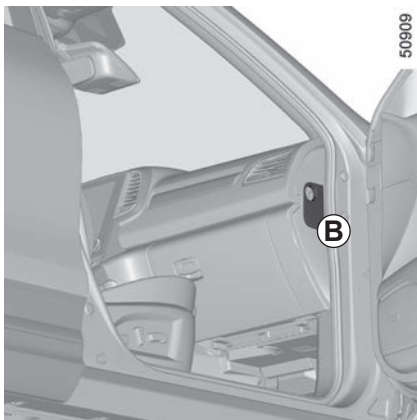
## FUSES (1/3)



If any electrical component does not work, check the condition of the fuses.

### Fuses in passenger compartment **A** on the left-hand side of the vehicle

Unclip the cover **A** using a screwdriver or similar.



### Fuses in passenger compartment **B** on the vehicle with stop and start function

Unclip the cover **B** using a screwdriver or similar.

### Fuses in passenger compartment **A** on the right-hand side of the vehicle

Glove box needs to be disassembled to access the fuses. Please consult an authorised dealer.

In accordance with local legislation or as a precautionary measure:  
obtain an emergency kit containing a set of spare bulbs and fuses from an approved Dealer.

## FUSES (2/3)

Use the fuse allocation label in the storage compartment **A** or **B** to identify the fuses.

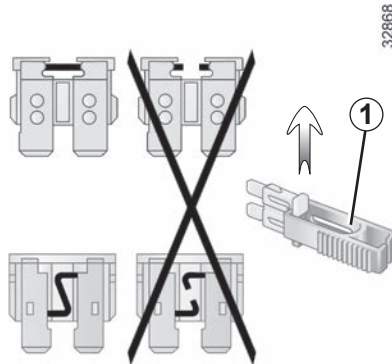
Certain fuses should only be replaced by a qualified professional. These fuses are not listed on the label.

Only change the fuses represented on the label.



Check the fuse in question and **replace it**, if necessary, **by a fuse of the same rating**.

If a fuse is fitted where the rating is too high, it may cause the electrical circuit to overheat (risk of fire) in the event of an item of equipment using an excessive amount of current.



### Clip 1

Remove the fuse using tweezers **1**, located on the fuse plate.

To remove the fuse from the tweezers, slide the fuse to the side.

It is not advisable to use the free fuse locations.

Do not touch the wiring harnesses or the connectors.

## FUSES (3/3)

Allocation of fuses  
(the presence and location of certain fuses depends on the vehicle equipment level)

Symbol	Allocation	Symbol	Allocation	Symbol	Allocation
BLOWER	Ventilation	VDC	Vehicle dynamic control	H/MIRR	Heated door mirrors
TURN HAZARD	Hazard lamp	STOP LAMP	Stop lamp	HEATER SEAT	Heater seat
2ND POWER SOCKET	2nd power socket	POWER DR LOCK2	Power door lock	EC AUTO ACC	Air conditioner control unit
REAR WIPER	Rear wiper	CIGAR LIGHTER	Cigar lighter	REAR VIEW	Rear view mirror
POWER DR LOCK	Power door lock	HEAT STEER WHEEL	Heat steering wheel	WASH MTR	Washer motor
ELEC B, B2	Electrical equipment	RR DEF	Electrically defrosted rear window	GEAR BOX OIL PUMP	Gear box oil pump
IMOB	Immobilizer	BOSE	Bose amp	BCM	Body control module
AUDIO	Audio	ACC RADIO	Accessory socket, radio	POWER WINDOW	Power window
ABS/EPS	Anti lock brake system	JUNCTION MODULE	Junction module	SEAT BELT WARNING	Seat belt warning module
MEDIA	Multimedia equipment	AIR CON	Air condition control unit	STRG WHEEL ANGLE	Steering wheel angle sensor

## BATTERY: troubleshooting (1/2)

### To avoid all risk of sparks:

- Ensure that any consumers (courtesy lights, etc.) are switched off before disconnecting or reconnecting the battery;
- when charging, stop the charger before connecting or disconnecting the battery;
- to avoid creating a short circuit between the terminals, do not place metal objects on the battery;
- always wait at least one minute after the engine has been switched off before disconnecting a battery;
- make sure that you reconnect the battery terminals after refitting.



Before performing any action in the engine compartment, the ignition must be switched off by pressing the engine stop button (please see the information on “Starting, stopping the engine” in Section 2).

### Connecting a battery charger

**The battery charger must be compatible with a battery with nominal voltage of 12 volts.**

Do not disconnect the battery when the engine is running. **Follow the instructions given by the manufacturer of the battery charger you are using.**



Special procedures may be required to charge some batteries. Contact your approved dealer.

Avoid all risk of sparks which may cause an immediate explosion, and charge the battery in a well-ventilated area. Risk of serious injury.



Handle the battery with care as it contains sulphuric acid, which must not come into contact with eyes or skin. If it does, wash the affected area with plenty of cold water. If necessary, consult a doctor.

Ensure that naked flames, red hot objects and sparks do not come into contact with the battery as there is a risk of explosion.

The engine may be hot when carrying out operations in close proximity. In addition, the engine cooling fan can come on at any moment.

Risk of injury.



## BATTERY: troubleshooting (2/2)

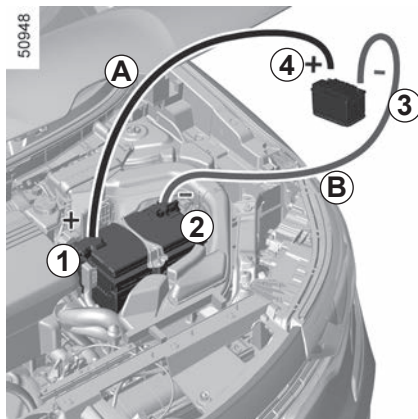
### Starting the vehicle using the battery from another vehicle

If you have to use the battery from another vehicle to start, obtain suitable jump leads (with a large cross section) from an approved dealer or, if you already have jump leads, ensure that they are in perfect condition.

**The two batteries must have an identical nominal voltage of 12 volts.** The battery supplying the current should have a capacity (amp-hours, Ah) which is at least the same as that of the discharged battery.

Ensure that there is no risk of contact between the two vehicles (risk of short circuiting when the positive terminals are connected) and that the discharged battery is properly connected. Switch off your vehicle ignition.

Start the engine of the vehicle supplying the current and run it at a moderate speed.



Lift the cover and then the red terminal cap **1 (+)**.

Connect the positive cable **A** to the terminal **1 (+)**, then to the **terminal 4 (+)** of the battery supplying the current.

Connect the negative cable **B** to the **terminal 3 (-)** of the battery supplying the current and then to the terminal **2 (-)**.

Start the engine, and as soon as it starts running, disconnect cables **A** and **B** in reverse order (**2 - 3 - 4 - 1**).



Check that there is no contact between leads **A** and **B** and that the positive lead **A** is not touching any metal parts on the vehicle supplying the current.

Risk of injury and/or damage to the vehicle.

## ACCESSORIES



### **Electrical and electronic accessories**

Before installing this type of accessory (particularly for transmitters/receivers: frequency bandwidth, power level, position of the aerial, etc.), make sure it is compatible with your vehicle. You can get advice from an authorised dealer.

Connect accessories with a maximum power of 120 Watts only. **Fire hazard.** When several accessory sockets are used at the same time, the total power of the connected accessories must not exceed 180 watts.

No work may be carried out on the vehicle's electrical or radio circuits, except by authorised dealers: an incorrectly connected system may result in damage being caused to the electrical equipment and/or the components connected to it.

If the vehicle is fitted with any aftermarket electrical equipment, make sure that the installation is correctly protected by a fuse.

Establish the rating and position of this fuse.

### **Using the diagnostic socket**

The use of electronic accessories on the diagnostic socket may cause serious disturbance to the vehicle's electronic systems.

For your safety we recommend that you use only electronic accessories approved by the manufacturer, consult an Approved Dealer. **Serious accident risk.**

### **Use of transmitting/receiving devices (telephones, CB equipment etc.).**

Telephones and CB equipment with integrated aerials may cause interference to the electronic systems originally fitted to the vehicle: it is advisable only to use equipment with an external aerial. **Furthermore, we remind you of the need to conform to the legislation in force concerning the use of such equipment.**

### **Fitting aftermarket accessories**

If you wish to install accessories on the vehicle: please contact an authorised dealer. Also, to ensure the correct operation of your vehicle, and to avoid any risk to your safety, we recommend that you use only accessories specifically designed for your vehicle, which are the only accessories for which the manufacturer will provide a warranty.

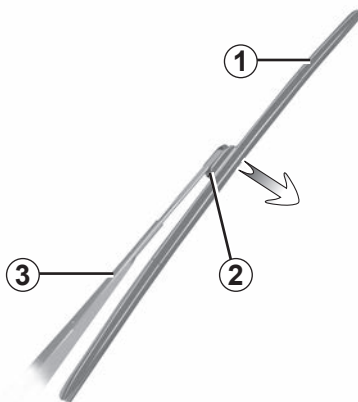
If you are using an anti-theft device, only attach it to the brake pedal.

### **Obstructions to the driver**

On the driver's side, only use mats suitable for the vehicle, attached with the pre-fitted components, and check the fitting regularly. Do not lay one mat on top of another. **There is a risk of wedging the pedals.**

# WINDSCREEN WIPER BLADES: replacement (1/2)

40088



## Windscreen wiper blades 1

**With the ignition on and the engine switched off**, lower the windscreen wiper stalk fully: the blades stop slightly away from the bonnet.

Lift wiper arm **3**, press button **2** to release the blade.

### Refitting

Slide the blade along the arm until it clips on. Check that it is correctly locked in place. Lower the windscreen wiper arm carefully.

With the ignition on, return the windscreen wiper stalk to the stop position. The blade on the driver's side must always be above the passenger blade. If this is not the case, a quick sweep of the windscreen wipers should be performed once the vehicle is travelling at over 4 mph (7 km/h).

**NB:** Before restarting your vehicle, lower the windscreen wiper blades onto the windscreen to avoid any risk of damaging the bonnet or the wipers.

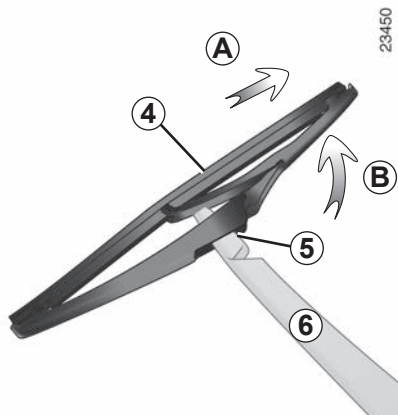
Do not activate the wipers on a dry screen. This will lead to premature wear or damage to the blades.



- In frosty weather, make sure that the wiper blades are not stuck by ice (to avoid the risk of the motor overheating or damaging the blades).
- Check the condition of the wiper blades.  
Replace the wiper blades as soon as they begin to lose efficiency (approximately once a year).

Whilst changing the blade, take care not to drop the arm onto the window after it has been removed as this may break the window.

## WINDSCREEN WIPER BLADES: replacement (2/2)



### Rear screen wiper blade 4

Stalk in stop position (deactivated):

- Lift the wiper arm **6**;
- pivot wiper blade **4** until some resistance is met (movement **B**);
- depending on the vehicle, press tab **5**, then remove the wiper blade by pulling it (movement **A**).

### To refit

To refit the wiper blade, proceed in reverse order to removal. Make sure that the blade is correctly locked in position.

Keep monitoring the condition of the wiper blades. How long they last depends on you:

- clean the blades, windscreen and rear screen regularly with soapy water;
- do not use them when the windscreen or rear screen are dry;
- free them from the windscreen or rear screen when they have not been used for a long time.



Before changing the rear wiper blade, make sure the stalk is in the stop position (deactivated).

Risk of injury.

## TOWING: breakdown recovery (1/4)

Before towing, put the gearbox in neutral, unlock the steering column and release the parking brake.

For vehicles fitted with an automatic gearbox, if it is not possible to put the gear lever into position **N**, please consult an authorised dealer.

### Steering column unlocking

Insert the key into the ignition or, depending on the vehicle, having the RENAULT card on you, press the engine start button for approximately 2 seconds.

Reposition the lever to neutral (position **N** for vehicles fitted with an automatic gearbox).

The steering column unlocks, the accessory functions are powered: you can use the vehicle's lights (direction indicators, brake lights, etc.). At night the vehicle must have its lights on.

Depending on the vehicle, once you have finished towing, press the engine start button twice (risk of running down the battery).

The speed specified by current legislation for towing must always be observed. If your vehicle is the towing vehicle, do not exceed the maximum towing weight for your vehicle (refer to the information on "Weights" in Section 6).

### Towing a vehicle with an automatic gearbox

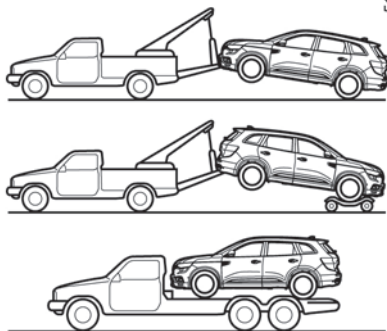
Transport the vehicle on a trailer or tow it with the front wheels off the ground.

In exceptional circumstances, you may tow it with all four wheels on the ground, only in a forward gear, with the gear in neutral position **N** over a maximum distance of 50 miles (80 km) and not exceeding a speed of 15 mph (25 km/h).

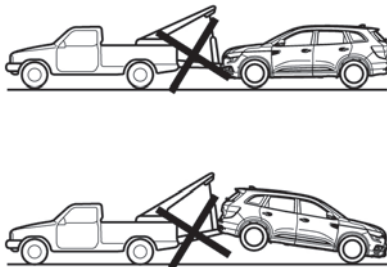


Do not remove the key from the ignition when the vehicle is being towed.

## TOWING: breakdown recovery (2/4)



51049

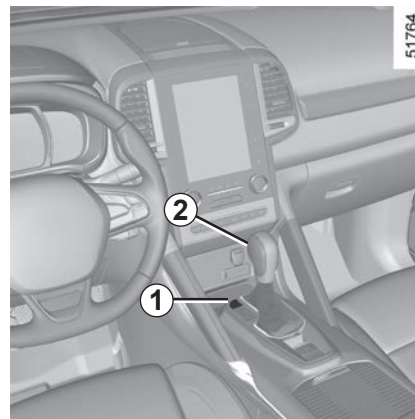


51050

### 2WD vehicles

Vehicles fitted with an automatic transmission or continuously variable transmission.

With the ignition off, the gearbox is no longer lubricated. If it is not, the vehicle must be transported on a trailer or be towed with the front wheels off the ground.

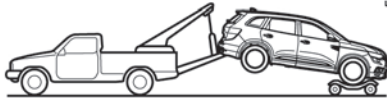


51764

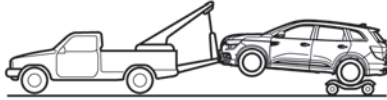
When setting off, if the lever is locked in position **P** even though you are pressing the brake pedal, the lever can be released manually. To do this, unclip the flap **1**, then insert a tool (with a hard rod to it) into the hole and press the button **2** at the same time in order to unlock the lever.

Contact an authorised dealer as soon as possible.

## TOWING: breakdown recovery (3/4)



51051



51052



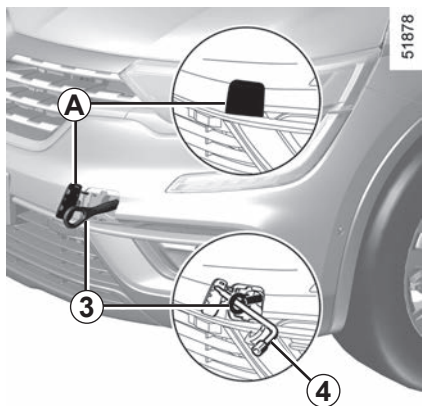
### 4WD vehicles

Whichever type of gearbox is fitted, a 4WD vehicle must never be towed if any of its 4 wheels are touching the ground.



A 4WD vehicle must never be towed if one of its 4 wheels is touching the ground.

## TOWING: breakdown recovery (4/4)

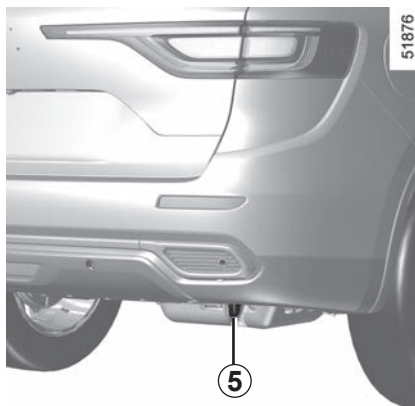


Only use the front towing point **A** and the rear towing point **5** (never use the driveshafts).

These towing points may only be used for towing: never use them for lifting the vehicle directly or indirectly.



When the engine is stopped, steering and braking assistance are not operational.



### Access to towing points

Unclip cover **A** by inserting a flatblade screwdriver or similar under the cover.

**Tighten the tow eye 3 fully:** as much as possible by hand at first, then finish tightening it using the wheelbrace or, depending on the vehicle, the lever.

Only use the towing eye **3** and the wheelbrace **4** included in the tool kit (please refer to the information under "Tools" in Section 5).



Do not leave the tools unsecured inside the vehicle as they may come loose under braking.



– Use a rigid towing bar. If a rope or cable is used (where the law allows this), the vehicle being towed must be able to brake.

- A vehicle must not be towed if it is not fit to be driven.
- Avoid accelerating or braking suddenly when towing, as this may result in damage being caused to the vehicle.
- When towing a vehicle, it is advisable not to exceed **15.5 mph (25 km/h)**.
- Do not push the vehicle if the steering column is locked.



## OPERATING FAULTS (1/7)

The following advice will enable you to carry out quick, temporary repairs. For safety reasons you should always contact an approved Dealer as soon as possible.

Using the RENAULT card	POSSIBLE CAUSES	WHAT TO DO
The RENAULT card does not lock or unlock the doors.	Card battery is flat.	Replace the battery. You can still lock/unlock and start your vehicle (refer to the information on "Locking, unlocking the opening elements" in Section 1 and "Starting, stopping the engine" in Section 2).
	Use of appliances operating on the same frequency as the card (mobile phone, etc.).	Stop using the equipment or use the integrated key (refer to the information on "Locking, unlocking the opening elements" in Section 1).
	Vehicle located in a high electromagnetic radiation zone. Vehicle battery flat.	Use the key integrated in the card (refer to the information on "Locking, unlocking the opening elements" in Section 1).
	The vehicle is started.	With the engine running, the card's locking/unlocking device is blocked. Turn off the ignition.

## OPERATING FAULTS (2/7)

The following advice will enable you to carry out quick, temporary repairs. For safety reasons you should always contact an approved dealer as soon as possible.

Using the remote control	POSSIBLE CAUSES	ACTION REQUIRED
The remote control does not lock or unlock the doors.	The remote control battery is flat.	Use the emergency key.
	Use of appliances operating on the same frequency as the remote control (mobile phone, etc.).	Stop using the devices or use the key.
	Vehicle located in a high electromagnetic radiation zone. Discharged battery.	Replace the battery. You can still lock/unlock and start your vehicle (refer to the information on "Locking/unlocking the doors" in Section 1 and "Starting/Stopping the engine" in Section 2).
	The vehicle is started.	With the engine running, the key's locking/unlocking device is blocked. Turn off the ignition.

## OPERATING FAULTS (3/7)

<b>The starter is activated</b>	<b>POSSIBLE CAUSES</b>	<b>WHAT TO DO</b>
The instrument panel indicator lights are weak or fail to light up and the starter does not turn.	Battery terminals not tight, battery terminals disconnected or oxidised.	Retighten or reconnect the terminals, or clean them if they are oxidised.
	Discharged battery or not operational.	Connect another battery to the faulty battery. Refer to information on "Battery: troubleshooting" in Section 5 or replace the battery if necessary. Do not push the vehicle if the steering column is locked.
	Faulty circuit.	Consult an approved dealer.
The engine will not start.	Starting conditions are not fulfilled.	Please refer to the information on "Starting, stopping the engine" in Section 2.
	The RENAULT card does not work.	Please refer to the information on "Starting, stopping the engine" in Section 2.
The engine cannot be switched off.	Card not detected.	Please refer to the information on "Starting, stopping the engine" in Section 2.
	Electronic fault.	Press the starter button quickly five times.
The steering column remains locked.	Steering wheel locked.	Move the steering wheel while pressing the engine start button or, depending on the vehicle, while turning the key (refer to the information on "Starting, stopping the engine" in Section 2).
	Faulty circuit.	Consult an approved dealer.

## OPERATING FAULTS (4/7)

<b>On the road</b>	<b>POSSIBLE CAUSES</b>	<b>WHAT TO DO</b>
Vibrations.	Tyres not inflated to correct pressures, incorrectly balanced or damaged.	Check the tyre pressures: if this is not the problem, have them checked by an approved Dealer.
White smoke from the exhaust.	In the diesel version, this is necessarily a fault. Smoke may be caused by particle filter regeneration.	Please refer to the information on “Special features of diesel versions” in Section 2.
Smoke under the bonnet.	Short-circuit or cooling system leak.	Stop, switch off the ignition, stand away from the vehicle and contact an approved dealer.
The oil pressure warning light comes on:		
while cornering or braking	The level is too low.	Top up the engine oil level (refer to the information on “Engine oil level: topping up, filling” in Section 4).
is slow to go out or remains lit under acceleration	Loss of oil pressure.	Stop the vehicle and contact an approved Dealer.

## OPERATING FAULTS (5/7)

On the road	POSSIBLE CAUSES	WHAT TO DO
Steering becomes heavy.	Assistance overheating. Fault with the electric assistance motor. Fault in assistance system.	Drive carefully at reduced speed, be aware of the level of force in the steering wheel needed to turn the wheels. Consult an approved dealer.
The engine is overheating. The coolant temperature indicator is in the warning zone and warning light <b>STOP</b> comes on.	Engine cooling fan not working.  Coolant leaks.	Stop the vehicle, switch off the engine and contact an approved dealer.  Check the coolant reservoir: it should contain fluid. If there is no coolant, consult an approved dealer as soon as possible.
Coolant boiling in the coolant reservoir.	Mechanical fault: damaged cylinder head gasket.	Stop the engine. Contact an approved dealer.



**Radiator:** If there is a significant lack of coolant, remember that it must never be topped up using cold coolant while the engine is very warm. After any procedure on the vehicle which has involved even partial draining of the cooling system, it must be refilled with a new mixture prepared in the correct proportions. Reminder: only products approved by our Technical Department may be used for this purpose.

## OPERATING FAULTS (6/7)

<b>Electrical equipment</b>	<b>POSSIBLE CAUSES</b>	<b>WHAT TO DO</b>
The wipers do not work.	Wiper blades stuck.	Free the blades before using the wipers.
	Faulty electrical circuit.	Consult an approved dealer.
	Fuse damaged.	Replace the fuse, refer to the information on "Fuses".
The wiper does not stop.	Faulty electrical controls.	Consult an approved dealer.
Direction indicators flashing more quickly.	Blown bulb.	See information on "Headlights: changing bulbs" or "Rear and side lights: changing bulbs".
The direction indicators do not work.	Faulty electrical circuit or control.	Consult an approved dealer.
	Fuse damaged.	Replace the fuse, refer to the information on "Fuses".
The lights do not come on or go off.	Faulty electrical circuit or control.	Consult an approved dealer.
	Fuse damaged.	Replace the fuse, refer to the information on "Fuses".

## OPERATING FAULTS (7/7)

<b>Electrical equipment</b>	<b>POSSIBLE CAUSES</b>	<b>WHAT TO DO</b>
Traces of condensation in the headlights or rear lights	Traces of condensation may be a natural phenomenon caused by variations in temperature and humidity.  In this case, the traces will disappear slowly once the lights are switched on.	
The front seat belt reminder light comes on when the seat belts are fastened.	An object is stuck between the floor and the seat and is disrupting the operation of the sensor.	Remove all objects from underneath the front seats.





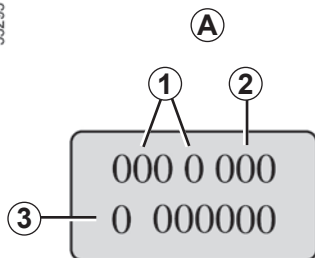
# Section 6: Technical specifications

Vehicle identification plate . . . . .	6.2
Engine identification plate . . . . .	6.3
Dimensions . . . . .	6.5
Engine specifications. . . . .	6.6
Towing weights . . . . .	6.8
Weights . . . . .	6.8
Replacement parts and repairs . . . . .	6.9
Service sheets . . . . .	6.10
Anti-corrosion check . . . . .	6.16



# ENGINE IDENTIFICATION PLATES (1/2)

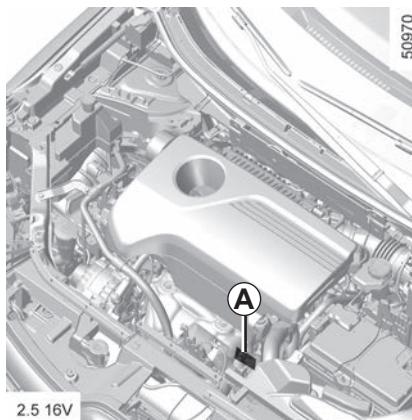
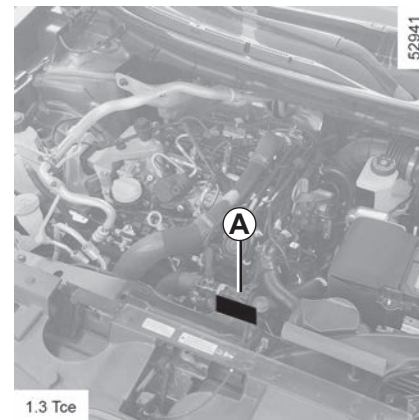
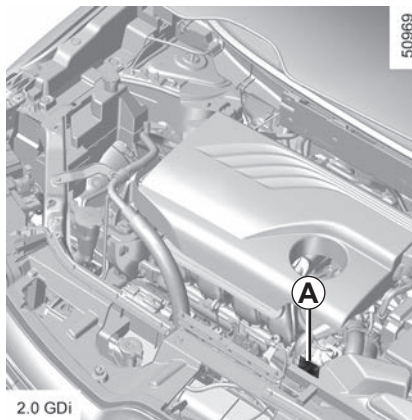
33293



**Please quote the information on the engine plate or label A in all correspondence or orders.**

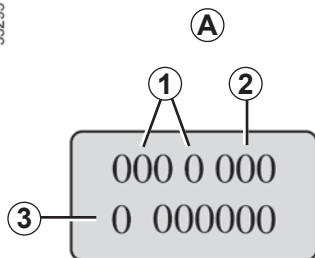
(Location varies depending on engine)

- 1 Engine type.
- 2 Engine suffix.
- 3 Engine number.



## ENGINE IDENTIFICATION PLATES (2/2)

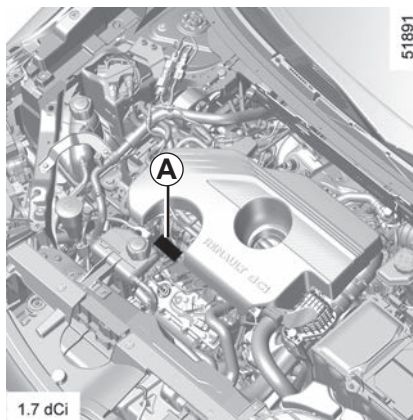
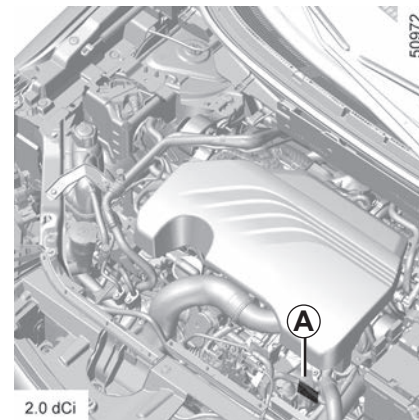
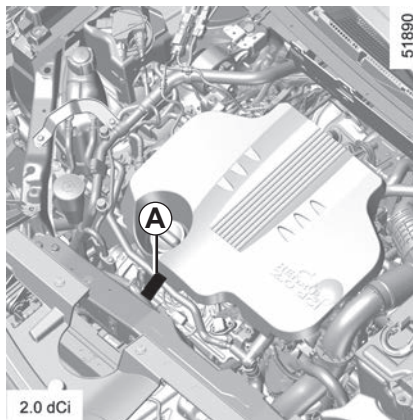
33293



**Please quote the information on the engine plate or label A in all correspondence or orders.**

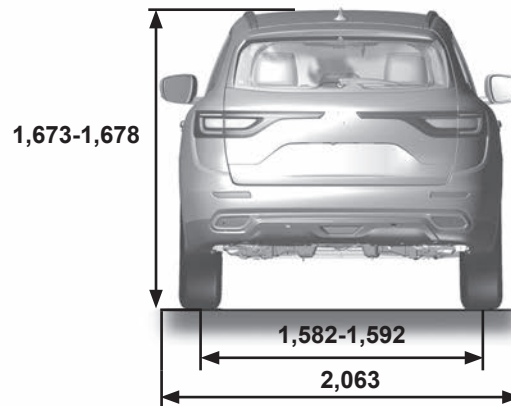
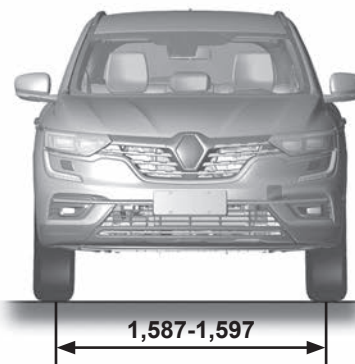
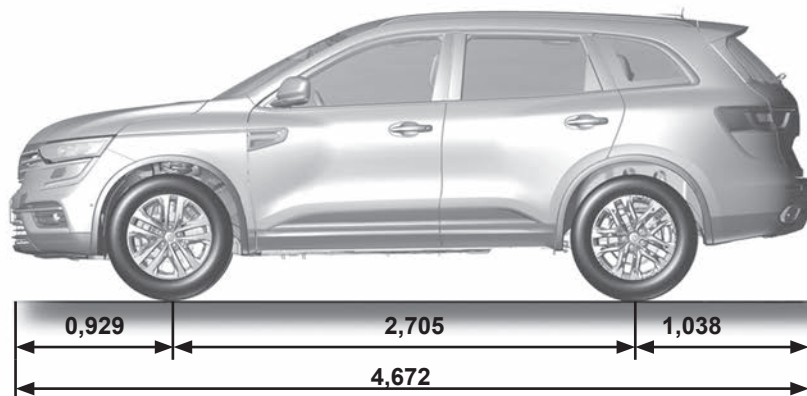
(Location varies depending on engine)

- 1 Engine type.
- 2 Engine suffix.
- 3 Engine number.








# DIMENSIONS (in metres)

51880



## ENGINE SPECIFICATIONS (1/2)

Versions	2.0 GDi	2.5 16V	1.3 Tce	2.0 dCi	1.7 dCi	2.0 dCi
<b>Engine type</b> (see engine plate)	M5R	QR25	H5H Turbo	M9R Turbo	R9N	M9R
<b>Cubic capacity</b> (cc)	1997	2488	1333	1995	1749	1997
<b>Type of fuel</b> <b>Octane rating</b>	Petrol It is <b>essential</b> that you use unleaded petrol of the octane rating stated on the label inside the fuel filler flap. Refer to «Fuel tank» in Section 1.			Diesel The label located in the fuel filler flap indicates the authorised fuels.		
<b>Fuel types that meet European standards and are compatible with the engines of vehicles sold in Europe</b> (in any other case, contact an Approved Dealer).	 <p>Unleaded petrol compliant with standard <b>EN 228</b> contains up to 5 % ethanol in volume.</p>  <p>Unleaded petrol compliant with standard <b>EN 228</b> contains up to 10 % ethanol in volume.</p>			 <p>Diesel fuel compliant with standard <b>EN 590</b> contains up to 7 % fatty acid methyl ester in volume.</p>  <p>Diesel fuel compliant with standard <b>EN 16734</b> contains up to 10 % fatty acid methyl ester in volume.</p>  <p>Diesel fuel compliant with standard <b>EN 15940</b> contains up to 7% acid methyl ester in volume.</p>		

## ENGINE SPECIFICATIONS (2/2)

Versions	2.0 GDi	2.5 16V	1.3 Tce	2.0 dCi	1.7 dCi	2.0 dCi
<b>Engine type</b> (see engine plate)	M5R	QR25	H5H Turbo	M9R Turbo	R9N	M9R
<b>Cubic capacity</b> (cc)	1997	2488	1333	1995	1749	1997
<b>Spark plugs</b>	<p>Only use the spark plugs specified for your vehicle's engine.</p> <p>The type should be marked on a label affixed inside the engine compartment. If it is not then contact an approved Dealer.</p> <p>Fitting spark plugs which are not to specification may damage the engine.</p>			-		

## WEIGHTS (in kg)

The weights indicated for a basic vehicle without options: they vary depending on the your vehicle's equipment. Consult your approved Dealer.

<b>Maximum permissible all-up weight (MMAC) Maximum permissible all-up weight (MMTA) Gross Train Weight (MTR)</b>	Weights are indicated on the vehicle identification plate (refer to the information on "Vehicle identification plates" in Section 6)
<b>Braked Trailer Weight*</b>	found by calculating: <b>MTR - MMAC</b>
<b>Unbraked Trailer Weight*</b>	750
<b>Permissible nose weight*</b>	75 or 80 kg depending on the vehicle (contact your approve dealer)
<b>Maximum permissible load on roof</b>	80 kg (including carrying device)

### \* Towing weight (towing a caravan, boat, etc.)

Towing is prohibited when the MTR - MMAC calculation is equal to zero, or when the MTR is equal to zero (or is not listed) on the identification plate.

- It is important to comply with the towing weights, governed by local legislation in each country and, in particular, laid down in the Road Traffic Regulations. Contact an approved Dealer about any towing equipment.
- When towing, under no circumstances may **the total train weight (vehicle + trailer) be exceeded**. However the following is permitted:
  - rear axle MMTA exceeded by no more than 15%,
  - maximum MMAC exceeded by no more than 10% or 100 kg (whichever is reached first).In either case, the maximum speed of the vehicle and trailer must not exceed 60 mph (100 km/h) and the tyre pressures must be increased by 0.2 bar (3 PSI).
- The engine output and climbing capability are reduced with altitude. We recommend that the maximum load be reduced by 10% at an altitude of 1,000 metres and by an additional 10% for each 1,000 metres thereafter.



## REPLACEMENT PARTS AND REPAIRS

Original parts are based on strict specifications and are subject to highly-specialised tests. Therefore, they are of at least the same level of quality as the parts fitted originally.

If you always fit genuine replacement parts to your vehicle, you will ensure that it performs well. Furthermore, repairs carried out within the manufacturer's Network using original parts are guaranteed according to the conditions set out on the reverse of the repair order.

# SERVICE SHEETS (1/6)

VIN: .....

Date: _____ Miles (Km): _____		Invoice number: _____		Comments/miscellaneous	
<b>Type of operation:</b>		<b>Stamp</b>			
Service <input type="checkbox"/>					
..... <input type="checkbox"/>					
<b>Anti-corrosion check:</b>					
OK <input type="checkbox"/> Not OK* <input type="checkbox"/>					
*See specific page					

Date: _____ Miles (Km): _____		Invoice number: _____		Comments/miscellaneous	
<b>Type of operation:</b>		<b>Stamp</b>			
Service <input type="checkbox"/>					
..... <input type="checkbox"/>					
<b>Anti-corrosion check:</b>					
OK <input type="checkbox"/> Not OK* <input type="checkbox"/>					
*See specific page					

Date: _____ Miles (Km): _____		Invoice number: _____		Comments/miscellaneous	
<b>Type of operation:</b>		<b>Stamp</b>			
Service <input type="checkbox"/>					
..... <input type="checkbox"/>					
<b>Anti-corrosion check:</b>					
OK <input type="checkbox"/> Not OK* <input type="checkbox"/>					
*See specific page					

# SERVICE SHEETS (2/6)

VIN: .....

Date: _____ Miles (Km): _____		Invoice number: _____		Comments/miscellaneous	
<b>Type of operation:</b>		<b>Stamp</b>			
Service <input type="checkbox"/>					
..... <input type="checkbox"/>					
<b>Anti-corrosion check:</b>					
OK <input type="checkbox"/> Not OK* <input type="checkbox"/>					
*See specific page					

Date: _____ Miles (Km): _____		Invoice number: _____		Comments/miscellaneous	
<b>Type of operation:</b>		<b>Stamp</b>			
Service <input type="checkbox"/>					
..... <input type="checkbox"/>					
<b>Anti-corrosion check:</b>					
OK <input type="checkbox"/> Not OK* <input type="checkbox"/>					
*See specific page					

Date: _____ Miles (Km): _____		Invoice number: _____		Comments/miscellaneous	
<b>Type of operation:</b>		<b>Stamp</b>			
Service <input type="checkbox"/>					
..... <input type="checkbox"/>					
<b>Anti-corrosion check:</b>					
OK <input type="checkbox"/> Not OK* <input type="checkbox"/>					
*See specific page					

# SERVICE SHEETS (3/6)

VIN: .....

Date: _____ Miles (Km): _____		Invoice number: _____		Comments/miscellaneous	
<b>Type of operation:</b>		<b>Stamp</b>			
Service <input type="checkbox"/>					
..... <input type="checkbox"/>					
<b>Anti-corrosion check:</b>					
OK <input type="checkbox"/> Not OK* <input type="checkbox"/>					
*See specific page					
Date: _____ Miles (Km): _____		Invoice number: _____		Comments/miscellaneous	
<b>Type of operation:</b>		<b>Stamp</b>			
Service <input type="checkbox"/>					
..... <input type="checkbox"/>					
<b>Anti-corrosion check:</b>					
OK <input type="checkbox"/> Not OK* <input type="checkbox"/>					
*See specific page					
Date: _____ Miles (Km): _____		Invoice number: _____		Comments/miscellaneous	
<b>Type of operation:</b>		<b>Stamp</b>			
Service <input type="checkbox"/>					
..... <input type="checkbox"/>					
<b>Anti-corrosion check:</b>					
OK <input type="checkbox"/> Not OK* <input type="checkbox"/>					
*See specific page					

# SERVICE SHEETS (4/6)

VIN: .....

Date: _____ Miles (Km): _____		Invoice number: _____		Comments/miscellaneous	
<b>Type of operation:</b>		<b>Stamp</b>			
Service <input type="checkbox"/>					
..... <input type="checkbox"/>					
<b>Anti-corrosion check:</b>					
OK <input type="checkbox"/> Not OK* <input type="checkbox"/>					
*See specific page					

Date: _____ Miles (Km): _____		Invoice number: _____		Comments/miscellaneous	
<b>Type of operation:</b>		<b>Stamp</b>			
Service <input type="checkbox"/>					
..... <input type="checkbox"/>					
<b>Anti-corrosion check:</b>					
OK <input type="checkbox"/> Not OK* <input type="checkbox"/>					
*See specific page					

Date: _____ Miles (Km): _____		Invoice number: _____		Comments/miscellaneous	
<b>Type of operation:</b>		<b>Stamp</b>			
Service <input type="checkbox"/>					
..... <input type="checkbox"/>					
<b>Anti-corrosion check:</b>					
OK <input type="checkbox"/> Not OK* <input type="checkbox"/>					
*See specific page					

# SERVICE SHEETS (5/6)

VIN: .....

Date: _____ Miles (Km): _____		Invoice number: _____		Comments/miscellaneous	
<b>Type of operation:</b>		<b>Stamp</b>			
Service <input type="checkbox"/>					
..... <input type="checkbox"/>					
<b>Anti-corrosion check:</b>					
OK <input type="checkbox"/> Not OK* <input type="checkbox"/>					
*See specific page					

Date: _____ Miles (Km): _____		Invoice number: _____		Comments/miscellaneous	
<b>Type of operation:</b>		<b>Stamp</b>			
Service <input type="checkbox"/>					
..... <input type="checkbox"/>					
<b>Anti-corrosion check:</b>					
OK <input type="checkbox"/> Not OK* <input type="checkbox"/>					
*See specific page					

Date: _____ Miles (Km): _____		Invoice number: _____		Comments/miscellaneous	
<b>Type of operation:</b>		<b>Stamp</b>			
Service <input type="checkbox"/>					
..... <input type="checkbox"/>					
<b>Anti-corrosion check:</b>					
OK <input type="checkbox"/> Not OK* <input type="checkbox"/>					
*See specific page					

# SERVICE SHEETS (6/6)

VIN: .....

Date: _____ Miles (Km): _____		Invoice number: _____		Comments/miscellaneous	
<b>Type of operation:</b>		<b>Stamp</b>			
Service <input type="checkbox"/>					
..... <input type="checkbox"/>					
<b>Anti-corrosion check:</b>					
OK <input type="checkbox"/> Not OK* <input type="checkbox"/>					
*See specific page					

Date: _____ Miles (Km): _____		Invoice number: _____		Comments/miscellaneous	
<b>Type of operation:</b>		<b>Stamp</b>			
Service <input type="checkbox"/>					
..... <input type="checkbox"/>					
<b>Anti-corrosion check:</b>					
OK <input type="checkbox"/> Not OK* <input type="checkbox"/>					
*See specific page					

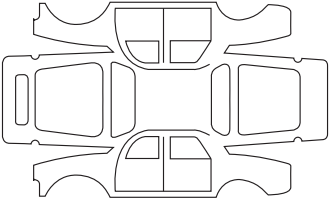
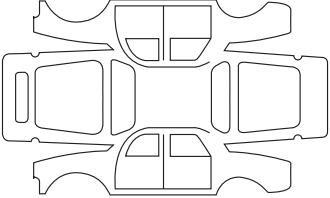
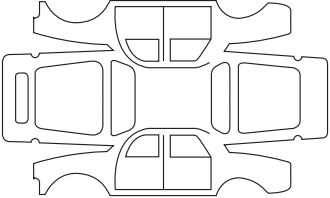
  

Date: _____ Miles (Km): _____		Invoice number: _____		Comments/miscellaneous	
<b>Type of operation:</b>		<b>Stamp</b>			
Service <input type="checkbox"/>					
..... <input type="checkbox"/>					
<b>Anti-corrosion check:</b>					
OK <input type="checkbox"/> Not OK* <input type="checkbox"/>					
*See specific page					

# ANTICORROSION CHECK (1/5)

If the continuation of the warranty is subject to repair, it is indicated below.

**VIN:** .....

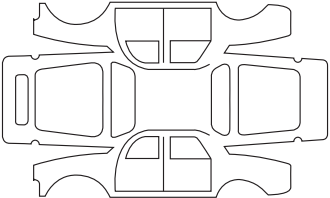
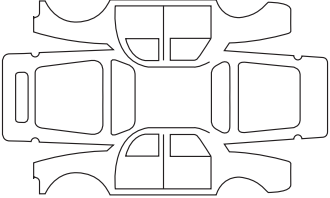
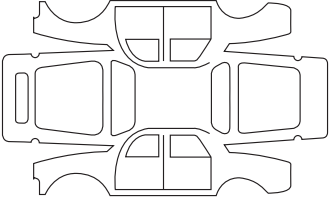
Corrosion repair operation to be carried out:		<b>Stamp</b>
Date of repair:		
Repair to be carried out:		<b>Stamp</b>
Date of repair:		
Repair to be carried out:		<b>Stamp</b>
Date of repair:		



# ANTICORROSION CHECK (2/5)

If the continuation of the warranty is subject to repair, it is indicated below.

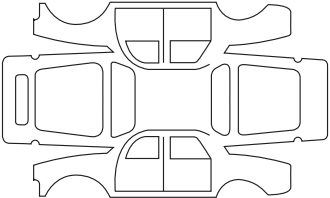
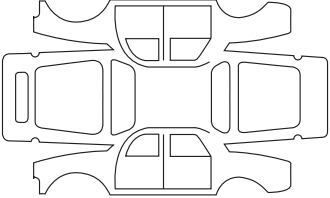
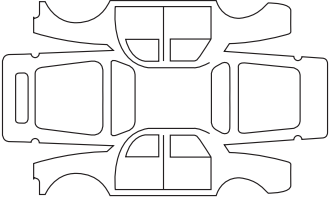
VIN: .....

Corrosion repair operation to be carried out:		
Corrosion repair operation to be carried out:		<b>Stamp</b>
Date of repair:		
Repair to be carried out:		
Repair to be carried out:		<b>Stamp</b>
Date of repair:		
Repair to be carried out:		
Repair to be carried out:		<b>Stamp</b>
Date of repair:		

# ANTICORROSION CHECK (3/5)

If the continuation of the warranty is subject to repair, it is indicated below.

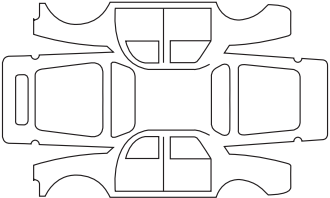
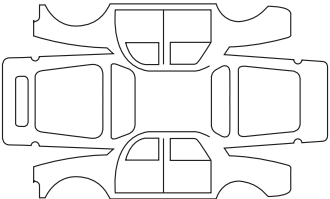
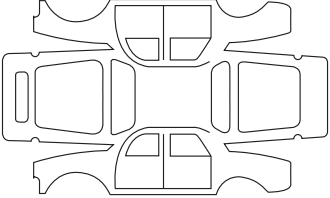
**VIN:** .....

Corrosion repair operation to be carried out:		<b>Stamp</b>
Date of repair:		
Repair to be carried out:		<b>Stamp</b>
Date of repair:		
Repair to be carried out:		<b>Stamp</b>
Date of repair:		

# ANTICORROSION CHECK (4/5)

If the continuation of the warranty is subject to repair, it is indicated below.

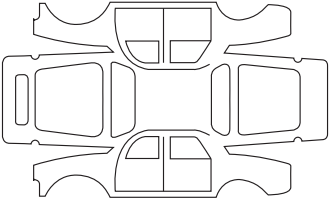
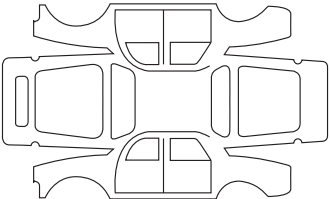
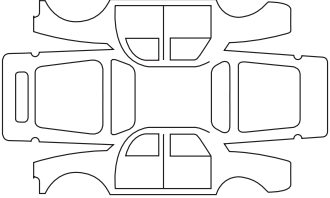
**VIN:** .....

Corrosion repair operation to be carried out:		
Corrosion repair operation to be carried out:		<b>Stamp</b>
Date of repair:		
Repair to be carried out:		
Repair to be carried out:		<b>Stamp</b>
Date of repair:		
Repair to be carried out:		
Repair to be carried out:		<b>Stamp</b>
Date of repair:		

# ANTICORROSION CHECK (5/5)

If the continuation of the warranty is subject to repair, it is indicated below.

**VIN:** .....

Corrosion repair operation to be carried out:		<b>Stamp</b>
Date of repair:		
Repair to be carried out:		<b>Stamp</b>
Date of repair:		
Repair to be carried out:		<b>Stamp</b>
Date of repair:		

# ALPHABETICAL INDEX (1/5)

## 4

4 wheel drive (4WD).....2.35 → 2.38

## A

ABS .....1.60, 2.31 → 2.34

accessories.....5.28

accessories socket .....3.32

adaptive cruise control.....2.72 → 2.79

additional methods of restraint

side protection .....1.35

to the front seat belts .....1.30 → 1.33

to the rear seat belts .....1.34

additional methods of restraint .....1.36

adjusting your driving position ..1.18 – 1.19, 1.26 → 1.29, 3.33

advice on antipollution .....2.26

air bag

activating the front passenger air bags.....1.52

deactivating the front passenger air bags.....1.50

air bag.....1.30 → 1.36, 1.58

air conditioning .....3.4 → 3.18

air vents .....3.2 – 3.3

anti-corrosion check .....6.16 → 6.20

anti-corrosion protection .....4.15

anti-lock braking system: ABS.....2.31 → 2.34

antipollution

advice .....2.26

armrest:

front.....3.28

ashtray.....3.32

ASR (traction control).....2.31 → 2.34

assisted parking.....2.87 → 2.92

audible and visual signals.....1.87

automatic gearbox (use).....2.93 → 2.95

automatic gearbox selector lever.....2.93 → 2.95

automatic trunk lid .....3.38 → 3.42

## B

battery

troubleshooting .....5.26 – 5.27

battery.....4.13 – 4.14, 5.26 – 5.27

battery (remote control) .....5.22

blind spot warning signal .....2.55 → 2.58

blind spot: warning signal .....2.55 → 2.58

bonnet.....4.2 – 4.3

brake fluid.....4.9

bulbs

changing .....5.13 → 5.20

## C

card: use.....1.11

catalytic converter.....2.14 – 2.15

central door locking .....1.2 – 1.3, 1.7 → 1.14, 1.17

changing a bulb .....5.13 → 5.20

changing a wheel.....5.8 – 5.9

changing gear.....2.16, 2.93 → 2.95

child restraint/seat .....1.37 – 1.38, 1.40 → 1.46, 1.50

child safety.....1.33, 1.37 – 1.38, 1.40 → 1.46, 1.50, 2.5,

3.20 – 3.21

child seats.....1.37 – 1.38, 1.40 → 1.46

children .....1.5, 1.37 – 1.38, 3.20 – 3.21

children (safety) .....1.5

cigar lighter .....3.32

cleaning:

inside the vehicle .....4.17 – 4.18

clock .....1.53

closing the doors .....1.12 → 1.17

control instruments .....1.53, 1.58 → 1.67

controls .....1.54 → 1.57

courtesy light .....3.24 → 3.26, 5.19

courtesy mirrors.....3.27

cruise control .....1.61, 2.68 → 2.71

cruise control-speed limiter.....2.65 → 2.71

## ALPHABETICAL INDEX (2/5)

customised vehicle settings ..... 1.76 – 1.77  
customising the vehicle settings ..... 1.76 – 1.77

### D

dashboard ..... 1.54 → 1.57  
deadlocking the doors ..... 1.11  
demisting  
    rear screen ..... 3.4 → 3.6  
    windscreen ..... 3.4 → 3.6  
dimensions ..... 6.5  
dipstick ..... 4.4  
display ..... 1.58 → 1.65  
doors/tailgate ..... 1.4 → 1.17  
driver assistance ..... 2.62 → 2.64, 2.72 → 2.79  
driver's position ..... 1.54 → 1.63  
driving ..... 2.2 → 2.9, 2.14 – 2.15, 2.18 → 2.25, 2.31 → 2.38,  
2.65 → 2.84, 2.93 → 2.95  
driving aids ..... 2.53 – 2.54, 2.62 → 2.64, 2.72 → 2.79  
driving position  
    settings ..... 1.26 → 1.29  
driving recommendations ..... 2.21 → 2.25

### E

ECO driving ..... 2.21 → 2.25  
ECO mode ..... 2.22  
electric beam height adjustment ..... 1.88 – 1.89  
electric windows ..... 3.20 – 3.21  
electronic parking brake ..... 2.18 → 2.20  
electronic stability control: ESC ..... 2.31 → 2.34  
emergency active braking ..... 2.39 → 2.49  
emergency brake assist ..... 2.31 → 2.34  
emergency braking ..... 2.31 → 2.34  
emergency key ..... 1.5 – 1.6  
emergency spare wheel ..... 5.2 – 5.3  
engine coolant ..... 4.8  
engine oil ..... 4.4 → 4.7

engine oil capacity ..... 4.5 → 4.7  
engine oil level ..... 4.4 → 4.7  
engine specifications ..... 6.3 – 6.4, 6.6 – 6.7  
engine standby ..... 2.10 → 2.13  
engine start/stop button ..... 2.5 → 2.9  
environment ..... 2.27  
ESC: electronic stability control ..... 1.60, 2.31 → 2.34

### F

fatigue detection warning ..... 2.53 – 2.54  
faults  
    operating faults ..... 5.35 → 5.41  
filling with reagent ..... 1.101 → 1.104  
filter  
    air filter ..... 4.10  
    oil filter ..... 4.5 → 4.7  
    passenger compartment filter ..... 4.10  
fittings ..... 3.27 → 3.31  
front passenger air bag deactivation ..... 1.50  
front seat  
    driver's position memory ..... 1.25  
front seat adjustment ..... 1.19  
front seats  
    adjustment ..... 1.18 – 1.19, 1.26  
    with electric controls ..... 1.20 – 1.21  
fuel  
    advice on fuel economy ..... 2.21 → 2.25  
    consumption ..... 2.21 → 2.25  
    filling ..... 1.58, 1.98 → 1.100  
    grade ..... 1.98 → 1.100  
fuel consumption ..... 2.21 → 2.25  
fuel economy ..... 2.21 → 2.25  
fuel filler cap ..... 1.98 → 1.100  
fuel level ..... 1.58 → 1.64  
fuel tank  
    capacity ..... 1.98

## ALPHABETICAL INDEX (3/5)

fuel tank capacity .....1.98 → 1.100  
fuses .....5.23 → 5.25

### G

gear lever ..... 2.16

### H

hands-free telephone integrated control ..... 3.50 – 3.51  
hazard warning lights signal ..... 1.87  
headlight beam adjustment ..... 1.88 – 1.89  
headrest ..... 1.18, 3.33  
heated seats ..... 1.19, 1.22  
heating and air conditioning system .....3.4 → 3.6, 3.17  
heating system .....3.4 → 3.16  
Hill Start Assist .....2.31 → 2.34  
horn ..... 1.87  
horn:  
    flash ..... 1.87  
hubcap tool ..... 5.7

### I

ignition switch ..... 2.3  
indicators ..... 1.87, 5.13 → 5.18  
indicators:  
    direction indicators ..... 1.87  
    instrument panel .....1.58 → 1.67  
instrument panel .....1.58 → 1.75  
instrument panel messages .....1.66 → 1.75  
interior trim  
    maintenance ..... 4.17 – 4.18  
Isofix ..... 1.40 – 1.41

### J

jack ..... 5.7

### K

keys ..... 1.2 → 1.4

### L

lane departure warning ..... 2.50 → 2.52  
levels ..... 4.8 → 4.10  
levels:  
    brake fluid ..... 4.9  
    coolant ..... 4.8  
    windscreen washer reservoir ..... 4.10  
lifting the vehicle  
    changing a wheel ..... 5.8 – 5.9  
lighting:  
    exterior ..... 1.82 → 1.89  
    instrument panel ..... 1.82  
    interior ..... 3.24 → 3.26, 5.19 – 5.20  
lights  
    adjustment ..... 1.88 – 1.89  
    changing bulbs ..... 5.13 → 5.15  
    front ..... 5.13 → 5.15  
lights:  
    adjusting ..... 1.88 – 1.89  
    brake lights ..... 5.16 → 5.18  
    dipped beam headlights ..... 1.58, 1.82, 5.13 → 5.15  
    direction indicators ..... 1.58, 1.87, 5.13 → 5.16  
    fog lights ..... 1.58, 1.84, 5.18  
    hazard warning ..... 1.87  
    main beam headlights ..... 1.58, 1.82, 5.13  
    reversing lights ..... 5.18  
    side lights ..... 1.82, 5.13 → 5.16  
load permitted on the roof ..... 6.8  
locking the doors ..... 1.4 → 1.17  
luggage compartment cover ..... 3.43

### M

maintenance ..... 2.26

## ALPHABETICAL INDEX (4/5)

maintenance:	
bodywork .....	4.15 – 4.16
interior trim .....	4.17 – 4.18
mechanical .....	4.4, 4.13 – 4.14, 6.10 → 6.15
map reading lights .....	3.24 → 3.26
menu for customising the vehicle settings .....	1.76 – 1.77
methods of restraint in addition to the seat belts ..	1.30 → 1.36
multimedia equipment .....	3.50 – 3.51

### N

navigation system .....	3.50 – 3.51
-------------------------	-------------

### O

oil change .....	4.5 → 4.7
opening the doors .....	1.12 → 1.16
operating faults .....	1.58 → 1.63, 5.35 → 5.41
overspeed warning .....	2.62 → 2.64

### P

paintwork	
maintenance .....	4.15 – 4.16
parking assistance: assisted parking .....	2.87 → 2.92
parking brake .....	2.17
parking distance control .....	2.80 → 2.84
power-assisted steering .....	1.78
powered tailgate .....	3.38 → 3.42
pretensioners .....	1.30 → 1.33
puncture .....	5.2 – 5.3, 5.7 → 5.9

### R

radio .....	3.50 – 3.51
radio frequency remote control/key	
use .....	1.2 → 1.4
reagent (tank) .....	1.101 → 1.104
reagent quality .....	1.101 → 1.104
reagent tank .....	1.101 → 1.104

reagent tank cap .....	1.101 → 1.104
reagent tank capacity .....	1.101 → 1.104
rear bench seat .....	3.34 → 3.36
rear parcel shelf .....	3.43
rear screen de-icing/demisting .....	3.9
rear seats	
functions .....	3.34 → 3.36
rear seats .....	1.28
rear view mirrors .....	1.80 – 1.81
remote control door locking	
batteries .....	5.22
remote control door locking unit .....	1.2 → 1.4
RENAULT ANTI-INTRUDER DEVICE (RAID) .....	1.17
RENAULT card	
battery .....	5.21
use .....	1.5 → 1.10, 2.5 → 2.9
RENAULT card battery .....	5.21
replacement parts .....	6.9
reverse gear	
selecting .....	2.16, 2.93 → 2.95
reversing sensor .....	2.80 → 2.84
roof bars .....	3.49
roof rack	
roof bars .....	3.49
running in .....	2.2 – 2.3

### S

safety distance warning .....	2.59 → 2.61
safety distances .....	2.59 → 2.61
SCR: selective catalytic reduction .....	1.101 → 1.104
seat belt pretensioners	
front seat belt .....	1.30 → 1.33
seat belts .....	1.26 → 1.33, 1.36
service sheets .....	6.10 → 6.15
side protection devices .....	1.35
sign detection: overspeed warning .....	2.62 → 2.64



## ALPHABETICAL INDEX (5/5)

signals and lights .....	1.82 → 1.89
special features of diesel versions .....	2.15
special features of petrol vehicles .....	2.14
speed limiter .....	1.61, 2.65 → 2.67
spoiler .....	3.49
starting the engine .....	2.3 → 2.13
steering wheel	
adjustment .....	1.78 – 1.79
Stop & Start .....	1.61, 2.10 → 2.13
Stop & Start function .....	2.10 → 2.13
stopping the engine .....	2.4 → 2.9
storage compartment .....	3.27 → 3.31
storage compartments .....	3.27 → 3.31
sun visor .....	3.27
sunroof .....	3.22 – 3.23
switching on the vehicle ignition .....	2.3, 2.5 → 2.9

### T

tailgate .....	3.37 → 3.42, 3.46 – 3.47
tanks and reservoirs	
brake fluid .....	4.9
coolant .....	4.8
tanks and reservoirs:	
windscreen washer .....	4.10
technical specifications .....	6.5, 6.8 – 6.9
telephone .....	3.50 – 3.51
temperature regulation .....	3.7 → 3.16
tool kit .....	5.7
towing	
breakdown .....	5.31 → 5.34
towing equipment .....	3.48
towing a caravan .....	3.48, 6.8
towing equipment	
fitting .....	3.48
towing hitch .....	5.7, 5.31 → 5.34
towing rings .....	3.47

towing weights .....	6.8
traction control: ASR .....	2.31 → 2.34
transporting children .....	1.37 – 1.38, 1.40 → 1.46, 1.50
transporting objects	
in the luggage compartment .....	3.47
on the roof .....	6.8
trip computer and warning system .....	1.58 → 1.63, 1.66 → 1.75
tyre inflation kit .....	5.4 → 5.6
tyre pressure .....	4.11 – 4.12, 5.11
tyre pressure loss warning .....	2.28 → 2.30
tyre pressures .....	2.28 → 2.30, 4.11 – 4.12
tyres .....	2.24, 2.28 → 2.30, 4.11 – 4.12, 5.10 → 5.12

### U

unlocking the doors .....	1.12 → 1.14
---------------------------	-------------

### V

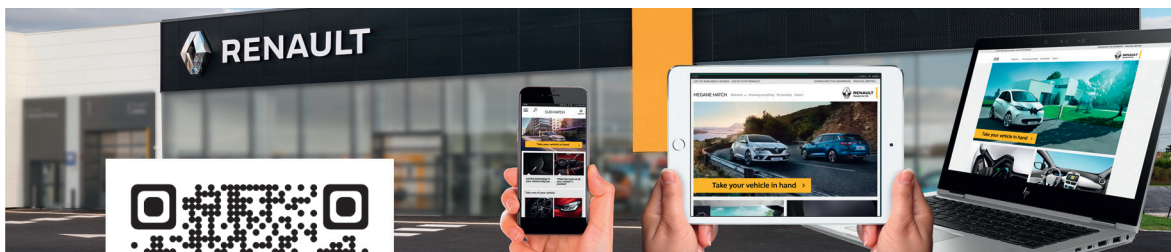
variable power-assisted steering .....	1.78
vehicle identification plates .....	6.3 – 6.4
ventilation .....	1.22, 3.2 → 3.16

### W

warning lights .....	1.58 → 1.75
washing .....	4.15 – 4.16
weights .....	6.8
wheelbrace .....	5.7
wheels (safety) .....	5.10 → 5.12
windscreen de-icing/demisting .....	3.9
windscreen washer .....	1.90 → 1.97
wiper blades .....	5.29 – 5.30
wipers	
blades .....	5.29 – 5.30
wipers .....	1.90 → 1.97







RENAULT S.A.S. SOCIÉTÉ PAR ACTIONS SIMPLIFIÉE AU CAPITAL DE 533 941 113 € / 13-15, QUAI LE GALLO  
92100 BOULOGNE-BILLANCOURT R.C.S. NANTERRE 780 129 987 – SIRET 780 129 987 03591 / TÉL.: 0810 40 50 60  
NU 1203-8 – 99 91 047 285 – 04/2020 – Edition anglaise

